

XO3050 Series

1.5x1.5 inch, 5.0 & 10.0 Volt, TTL/HCMOS/Sinewave, TCXO



- VCXO version available
- Tight stability and low phase noise

Model	Frequency (MHz)	Temperature Range (°C)	Temperature Stability	Aging First Year	Output	Supply Voltage
XO3050-006	10	-30 to +70	±0.75 ppm	±1.0 ppm	HCMOS	5 V ±0.25 V
XO3051-006	10	-30 to +70	±0.75 ppm	±1.0 ppm	Sine	10 V ±0.5 V
Options	8 - 160	See Table		Frequency Dependent	TTL	5 V to 15 V

Additional Specifications	
Aging over ten years	±3.0 ppm max
Current	
Sinewave	As low as 2 mA
HCMOS	As low as 4 mA
Frequency Adjust	Internal or electrical to compensate for >10 years of aging
Sinewave	
Level	-3 dBm to +10 dBm (50 Ω)
Load	Up to 1 k Ω
HCMOS	
Duty Cycle	40/60
Load	2 Gates
Phase Noise @ 10 MHz	
10 Hz	-90 dBc/Hz
100 kHz	-125 dBc/Hz
1 kHz	-140 dBc/Hz
10 kHz	-155 dBc/Hz

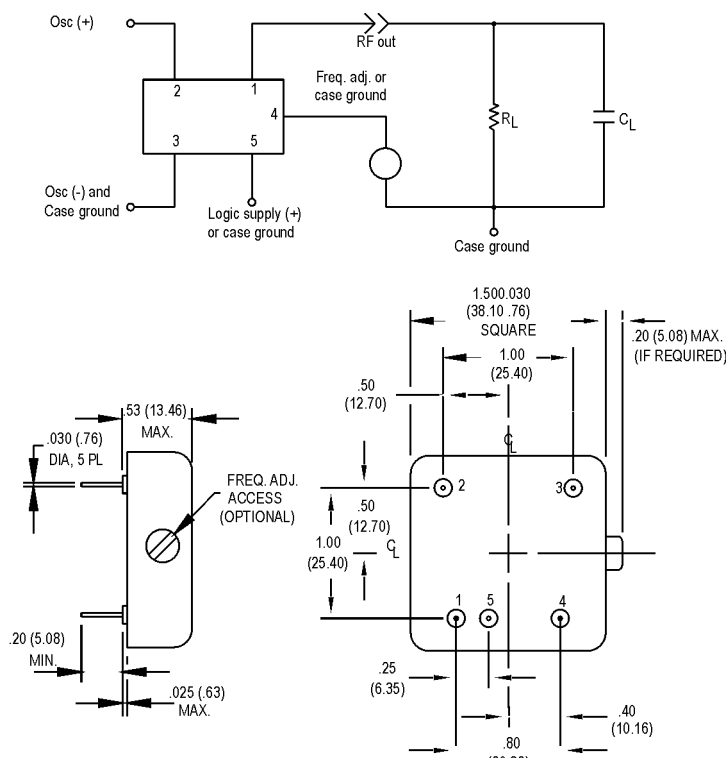
Optional Temperature Range (°C)	Frequency/Temperature Stability (ppm)			
	±1	±0.75	±0.50	±0.25
+15 to +30	✓	✓	✓	✓
0 to +50	✓	✓	✓	✓
0 to +70	✓	✓	✓	✓
-20 to +70	✓	✓	✓	✓
-40 to +75	✓	✓	✓	✓
-55 to +85	✓	✓	✓	✓

This TCXO can be produced to these specifications, with extended temperature range and tighter stability being cost drivers.

Dimensions are in inches (mm)

Pin Connections
1. RF OUTPUT
2. SUPPLY (+)
3. SUPPLY RETURN (-) AND CASE GROUND
4. FREQUENCY ADJUST OR CASE GROUND (OPTIONAL)
5. LOGIC SUPPLY (+) OR CASE GROUND (OPTIONAL)

Pin numbers shown for ref. only.
Numbers are not marked on unit.



MtronPTI reserves the right to make changes to the product(s) and service(s) described herein without notice. No liability is assumed as a result of their use or application.

Please see www.mtronpti.com for our complete offering and detailed datasheets. Contact us for your application specific requirements: MtronPTI 1-800-762-8800.