



## Ceramic Capacitor Stacks

**DESIGN:**

Ceramic capacitor stacks with leads

**RATED VOLTAGE  $U_R$ :**

see table below

**DIELECTRIC STRENGTH:**

see table below (Test voltage between leads)

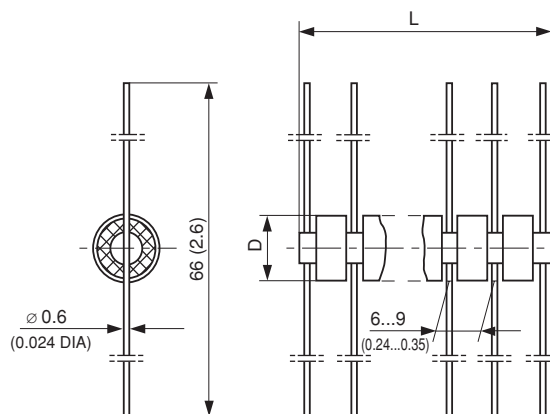
**DISSIPATION FACTOR  $\tan \delta$ :**

$\leq 25 \cdot 10^{-3}$

**INSULATION RESISTANCE  $R_{is}$ :**

$\geq 1 \cdot 10^{11} \Omega$  (R 2000, R 3000)

$\geq 1 \cdot 10^{10} \Omega$  (R 2005, R 6000)



• Dimensions in millimeters (inches)

**CATEGORY TEMPERATURE RANGE  $\vartheta_A$ :**

(- 10 to + 85)°C

MODEL	CAPACITANCE (pF)	TOLERANCE	RATED VOLTAGE* (KVp)	TEST VOLTAGE** (KV <sub>DC</sub> )	CERAMIC DIELECTRIC	NO. OF DISCS IN SERIES	LENGTH L (mm/inches)	ØD (mm/inches)
GDMQ 0803	125	- 20 + 40%	8	12	R 2000	3	22/0.86 MAX.	8.8 - 0.4/ 0.35 - 0.016
GDMQ 0806						6	40/1.58 MAX.	
GDMQ 0807						7	46/1.81 MAX.	
GDMQ 0809						9	61/2.40 MAX.	
GDMQ 0704	250	- 20 + 40 %	8	13	R 2005	4	25/1 MAX.	7.7 ± 0.2/ 0.30 ± 0.04
GDMQ 0705						5	31/1.22 MAX.	
GDMQ 0706						6	37/1.46 MAX.	
GDMQ 0709						9	56/2.2 MAX.	
GDMQ 0710						10	62/2.44 MAX.	
GDMQ 0712	12	72/2.83 MAX.						
GDMQ 0803	250	- 20 + 40 %	8	13	R 3000	3	25/1 MAX.	8.8 - 0.4/ 0.35 - 0.016
GDMQ 0804						4	29/1.14 MAX.	
GDMQ 0805						5	35/1.38 MAX.	
GDMQ 0806						6	42.5/1.67 MAX.	
GDMQ 0809						9	61/2.40 MAX.	
GDMQ 0812	12	81/3.19 MAX.						
GDMQ 1005	500	- 20 + 40%	10	15	R 6000	5	47/1.85 MAX.	10.5 ± 0.4/ 0.41 ± 0.016

\*In an insulating environment

\*\*Min. 3s in an insulating liquid

Other capacitance values and number of discs are available on request

**ORDERING INFORMATION**

GDMQ 0803	8KV <sub>p</sub>	125pF	- 20 + 40%	R 2000
-----------	------------------	-------	------------	--------