

PLEASE CHECK WWW.MOLEX.COM FOR LATEST PART INFORMATION

Part Number: [0025026036](#)
Status: **Active**
Description: 2.54mm (.100") Pitch C-Grid® Header, Dual Row, Shrouded, with PC Slot and Guide Ear, 36 Circuits, 0.38µm (15µ") Gold (Au) Selective Plating

Documents:

[3D Model](#) [Product Specification PS-70204 \(PDF\)](#)
[Drawing \(PDF\)](#) [RoHS Certificate of Compliance \(PDF\)](#)

Agency Certification

CSA LR19980
 UL E29179

General

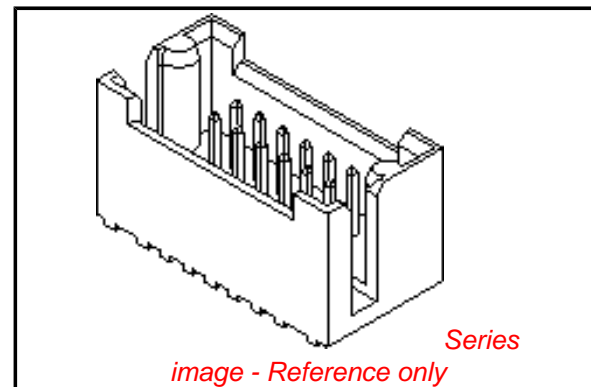
Product Family PCB Headers
 Series [70204](#)
 Application Board-to-Board
 Product Name C-Grid®

Physical

Breakaway No
 Circuits (Loaded) 36
 Circuits (maximum) 36
 Color - Resin Black
 Durability (mating cycles max) 50
 Flammability 94V-0
 Glow-Wire Compliant No
 Guide to Mating Part Yes
 Lock to Mating Part None
 Material - Metal Brass, Phosphor Bronze
 Material - Plating Mating Gold
 Material - Plating Termination Tin
 Material - Resin Nylon
 Number of Rows 2
 Orientation Vertical
 PC Tail Length (in) 0.110 In
 PC Tail Length (mm) 2.79 mm
 PCB Locator No
 PCB Retention None
 Packaging Type Tray
 Pitch - Mating Interface (in) 0.100 In
 Pitch - Mating Interface (mm) 2.54 mm
 Plating min: Mating (µin) 15
 Plating min: Mating (µm) 0.38
 Plating min: Termination (µin) 75
 Plating min: Termination (µm) 1.91
 Polarized to Mating Part Yes
 Polarized to PCB No
 Shrouded Fully
 Stackable No
 Temperature Range - Operating -40°C to +105°C
 Termination Interface: Style Through Hole

Electrical

Current - Maximum per Contact 3A
 Voltage - Maximum 250V



EU RoHS

ELV and RoHS Compliant
REACH SVHC Contains SVHC: No
Halogen-Free Status
Not Reviewed

China RoHS



Need more information on product environmental compliance?

Email productcompliance@molex.com
 For a multiple part number RoHS Certificate of Compliance, [click here](#)

Please visit the [Contact Us](#) section for any non-product compliance questions.

Search Parts in this Series

[70204Series](#)

Mates With

[71973](#)

Solder Process Data

Duration at Max. Process Temperature (seconds)	5
Lead-free Process Capability	Wave Capable (TH only)
Max. Cycles at Max. Process Temperature	1
Process Temperature max. C	245

Material Info

Old Part Number	70204-0273
-----------------	------------

Reference - Drawing Numbers

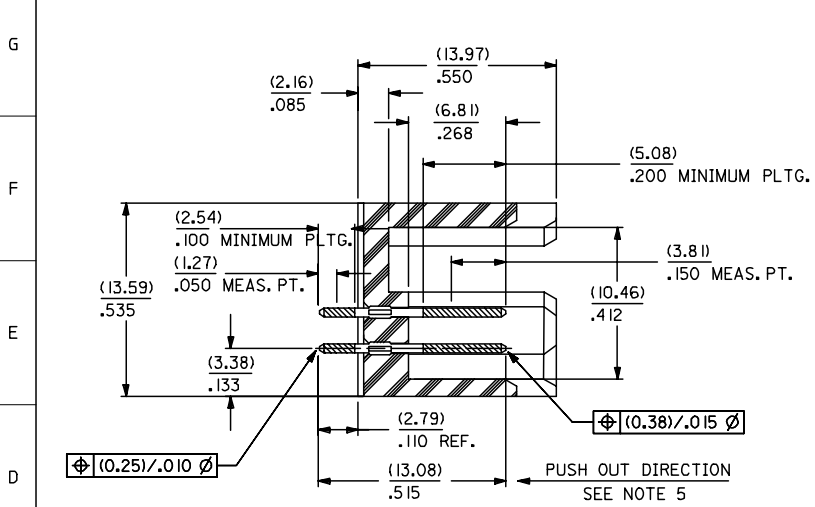
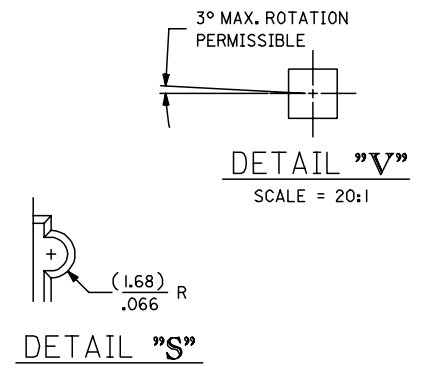
Product Specification	PS-70204
Sales Drawing	SDA-70204-0257-0320

This document was generated on 03/31/2010

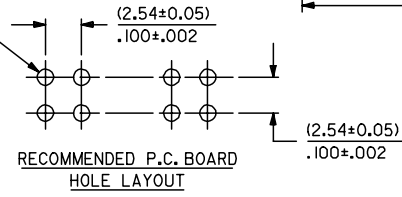
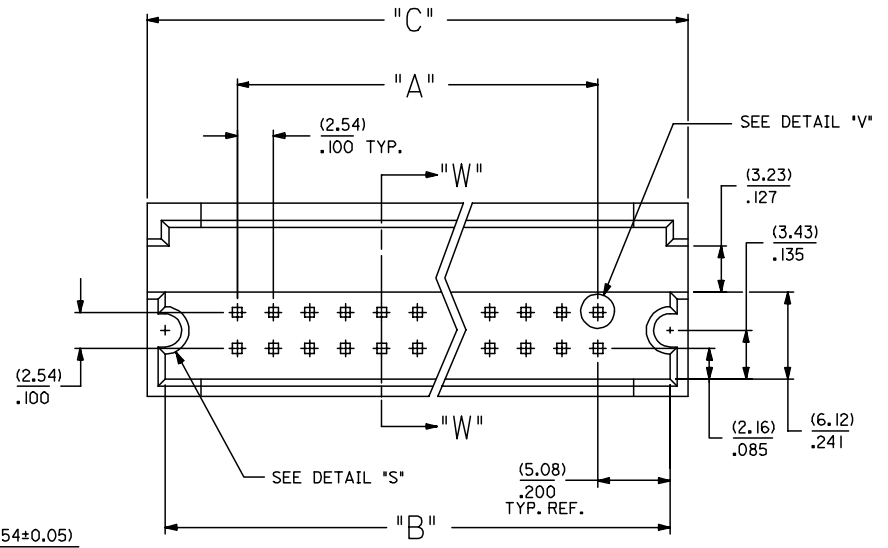
PLEASE CHECK WWW.MOLEX.COM FOR LATEST PART INFORMATION

CKT. SIZE	PART NUMBER	ENG. NUMBER SDA-70204-	DIM. "A"		DIM. "B"		DIM. "C"	
			MM	IN.	MM	IN.	MM	IN.
			08	25-02-6008	0259	7,62	.300	17,78
10	25-02-6010	0260	10,16	.400	20,32	.800	22,86	.900
12	25-02-6012	0261	12,70	.500	22,86	.900	25,40	1.000
14	25-02-6014	0262	15,24	.600	25,40	1.000	32,51	1.100
16	25-02-6016	0263	17,78	.700	27,94	1.100	30,48	1.200
18	25-02-6018	0264	20,32	.800	30,48	1.200	33,02	1.300
20	25-02-6020	0265	22,86	.900	33,02	1.300	35,56	1.400
22	25-02-6022	0266	25,40	1.000	35,56	1.400	38,10	1.500
24	25-02-6024	0267	27,94	1.100	38,10	1.500	40,64	1.600
26	25-02-6026	0268	30,48	1.200	40,64	1.600	43,10	1.700
28	25-02-6028	0269	33,02	1.300	43,10	1.700	45,72	1.800
30	25-02-6030	0270	35,56	1.400	45,72	1.800	48,26	1.900
32	25-02-6032	0271	38,10	1.500	48,26	1.900	50,80	2.000
34	25-02-6034	0272	40,64	1.600	50,80	2.000	53,34	2.100
36	25-02-6036	0273	43,10	1.700	53,34	2.100	55,88	2.200
38	25-02-6038	0274	45,72	1.800	55,88	2.200	58,42	2.300
40	25-02-6040	0275	48,26	1.900	58,42	2.300	60,96	2.400

CKT. SIZE	PART NUMBER	ENG. NUMBER SDA-70204-	DIM. "A"		DIM. "B"		DIM. "C"	
			MM	IN.	MM	IN.	MM	IN.
			42	25-02-6042	0276	50,80	2.000	60,96
44	25-02-6044	0277	53,34	2.100	63,50	2.500	66,04	2.600
46	25-02-6046	0278	55,88	2.200	66,04	2.600	68,58	2.700
48	25-02-6048	0279	58,42	2.300	68,58	2.700	71,12	2.800
50	25-02-6050	0280	60,96	2.400	71,12	2.800	73,66	2.900
52	25-02-6052	0281	63,50	2.500	73,66	2.900	76,20	3.000
54	25-02-6054	0282	66,04	2.600	76,20	3.000	78,74	3.100
56	25-02-6056	0283	68,58	2.700	78,74	3.100	81,28	3.200
58	25-02-6058	0284	71,12	2.800	81,28	3.200	83,82	3.300
60	25-02-6060	0285	73,66	2.900	83,82	3.300	86,36	3.400
62	25-02-6062	0286	76,20	3.000	86,36	3.400	88,90	3.500
64	25-02-6064	0287	78,74	3.100	88,90	3.500	91,44	3.600
66	25-02-6066	0288	81,28	3.200	91,44	3.600	93,98	3.700
68	25-02-6068	0289	83,82	3.300	93,98	3.700	96,52	3.800
70	25-02-6070	0290	86,36	3.400	96,52	3.800	99,06	3.900
72	25-02-6072	0291	88,90	3.500	99,06	3.900	101,60	4.000



SECTION W-W



NOTES:

- 1) WAFER MATERIAL: GLASS FILLED NYLON COLOR, BLACK.
- 2) PIN MATERIAL: PHOSPHOR BRONZE ALLOY
- 3) PIN PLATING:
TIP: .000015 MINIMUM GOLD IN SELECTED AREA
TAIL: .000075 MINIMUM TIN IN SELECTED AREA OVER .000050 NICKEL OVER-ALL.
- *THE PRIMARY SHIPPING CARTON WILL BE LABELED "COMPLIANT TO ROHS DIRECTIVE 2002/95/EC AND ELV ANNEX II OF DIRECTIVE 2000/53/EC". CARTONS WITHOUT THIS LABEL MAY CONTAIN PRODUCT WITH LEAD.
- 4) PINS MUST MEET SOLDERABILITY SPEC. NO. 152.
- 5) PIN PUSH-OUT FORCE (1.81 KG.)/4 LBS MINIMUM
- 6) REFER TO P.S. NO. 70204.
- 7) STANDARD PACKAGING PER: PK-70873-0070.

REMOVE 0292-0320 FC NO. UCP2007-0113 DRAWN: MORGAN 2006/08/07 CHKD: MS BARRA 2006/08/16 APPR: SMILLER 2006/08/18	QUALITY SYMBOLS ▽=0 ▽=0	GENERAL TOLERANCES (UNLESS SPECIFIED)	DIMENSION STYLE MM/IN		SCALE 4:1	DESIGN UNITS INCH	THIRD ANGLE PROJECTION
		4 PLACES ± --- ± --- 3 PLACES ± --- ± .010 2 PLACES ± 0.25 ± --- 1 PLACE ± --- ± --- ANGULAR ±1/2°	mm	INCH	DRAWN BY JAS	DATE 1986/05/20	TITLE SHROUDED HEADER DUAL ROW W/PCB SLOTS & GUIDE EARS .100 GRID .025 SQ PIN
		DRAFT WHERE APPLICABLE MUST REMAIN WITHIN DIMENSIONS	SEE TABLE		MATERIAL NO. WAZ	DATE 1986/05/20	MOLEX INCORPORATED
			THIS DRAWING CONTAINS INFORMATION THAT IS PROPRIETARY TO MOLEX INCORPORATED AND SHOULD NOT BE USED WITHOUT WRITTEN PERMISSION		DOCUMENT NO. SDA-70204-0257-0320	SHEET NO. 1 OF 1	