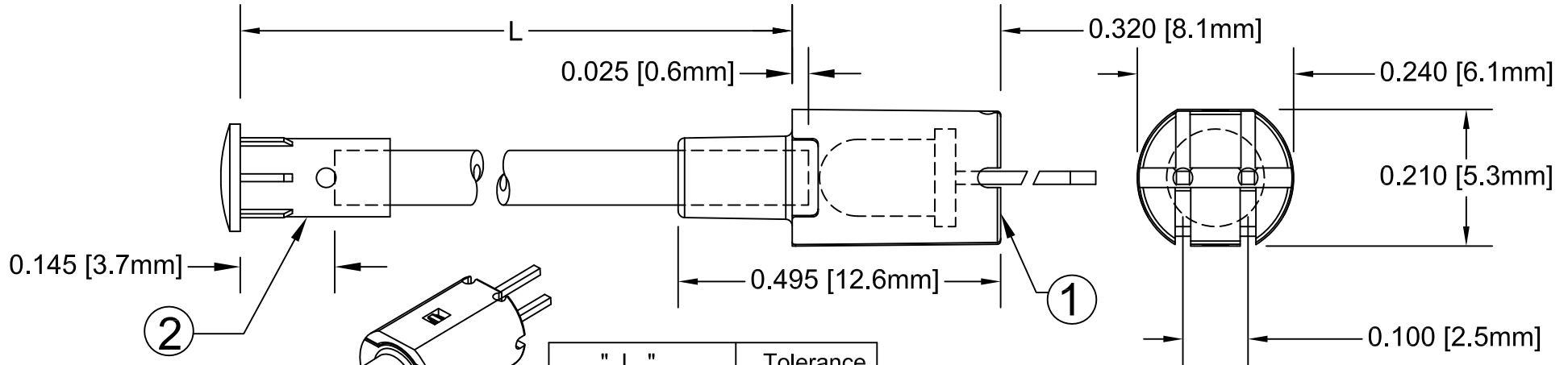


ITEM	Q'TY	PART NUMBER	PART DESCRIPTION
1	1	FLPV-XX	Flexible Light Pipe Adapter, Vertical, w/LED, See page 2 & 3.
2	1	LC-XX.X	Flexible Light Pipe Lens Cap Assembly

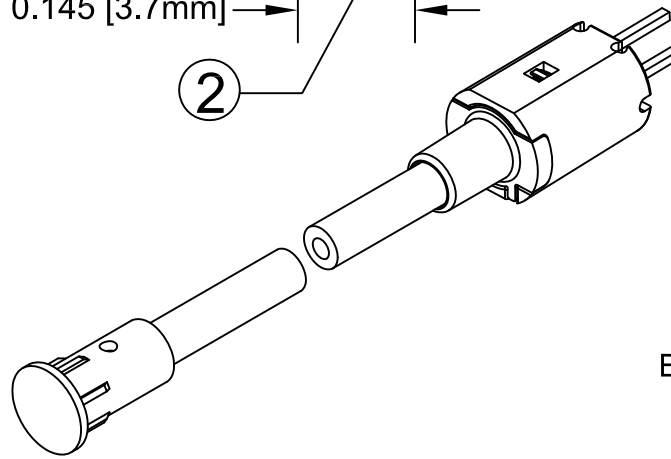
REV.	DESCRIPTION	DATE	APPROVED
C	Added Lens Cap Recommended Mounting Hole.	06/08/04	M. C.
D	Added Shipping Note and Tolerance Table	04/17/06	M. C.
E	Changed Length from 2.5 to 0.5 at "L" Table	02/12/07	M. C.
F	Updated BOM	01/25/08	M. C.
G	Updated FLPC Hidden View.	08/27/08	M. C.

NOTE: FLPV-XXX ADAPTER SHIPPED NON-ASSEMBLED

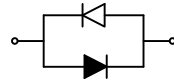


" L "	Tolerance
0.5" ~ 16.0"	±0.050"
16.1" ~ 40.0"	±0.15"
40.1" ~ 80.0"	±0.30"
80.1" ~ 3,940.0"	±0.5%

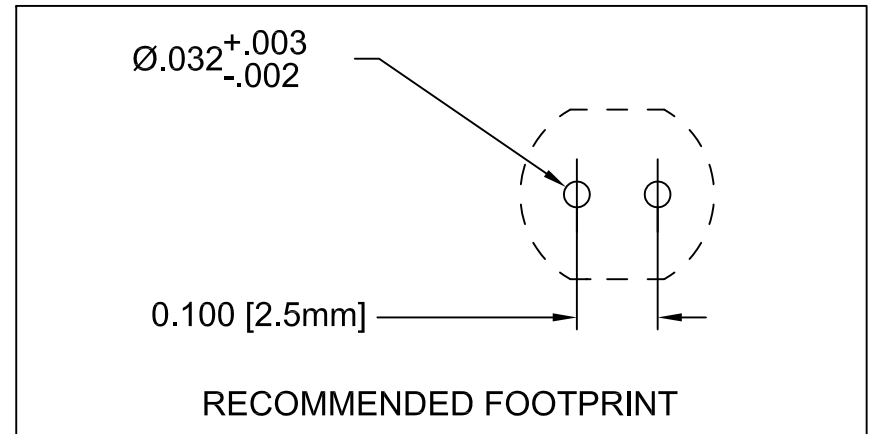
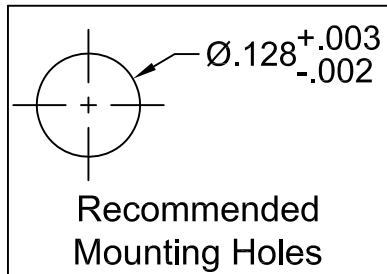
 SINGLE COLOR LED  
SHORT LEAD CATHODE



BI-COLOR LED'S



SHORT LEAD CATHODE	LED PART NO.	LONG LEAD CATHODE
RED	3xBCC-F	GREEN
YELLOW	3xBCC-Y/G-F	GREEN
RED	3xBCC-R/Y-F	YELLOW
AMBER	3xBCC-A/G-F	GREEN



### ABSOLUTE MAXIMUM RATINGS (Ta=25°C)

REVERSE VOLTAGE _____	5V
REVERSE CURRENT _____	100uA
OPERATING TEMPERATURE RANGE _____	-25° C - 85° C
STORAGE TEMPERATURE _____	-30° C - 100° C
LEAD SOLDERING TEMPERATURE(1/16" FROM BODY) _____	260° C FOR 5 SECONDS


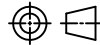
STANDARD TOLERANCE (UNLESS OTHERWISE SPECIFIED)		BIVAR®	
DECIMALS	ANGULAR	4 THOMAS, IRVINE, CA. 92618	
.X ±.1	X° ± 1°	TEL: (949) 951-8808 FAX: (949) 951-3974	
.XX ±.02		<b>TITLE: FLEXIBLE LIGHT-PIPE ASSY VERTICAL, 3mm LENS CAP W/LED</b> <b>PART NO: FLPVX.X-XX</b>	
.XXX ±.010			
DESIGNED: <b>Shane Irving</b>	DATE: <b>05/06/99</b>	REVISION: <b>G</b>	
CHECKED: <b>M. Chen</b>	DATE: <b>07/03/02</b>	CAGE CODE: <b>32559</b>	SHEET # <b>1 OF 3</b>

CAD GENERATED DOCUMENT, DO NOT MEASURE DRAWING.

REV.	DESCRIPTION	DATE	APPROVED
	SEE SHEET#1.		

FLPVX.X-XX PART NO.	LED Part No.	Chip			Lens Appearance	Absolute Max. Ratings				Electro-Optical Data @ 20mA			Viewing Angle 2 $\theta$ 1/2 (Deg)
		Material	Peak Wave Length $\lambda_p$ (nm)	Emitted Color		$\Delta\lambda$ (nm)	Pd (mW)	If (mA)	Peak If(mA)	Vf (V)		Iv (mcd)	
										TYP	MAX	TYP	
FLPVX.X-SG	3SGC-F	GaP/GaP	568	SUPER GREEN	WATER CLEAR	30	80	30	150	2.2	2.6	120	30
FLPVX.X-SY	3SYC-F	GaAsP/GaP	585	SUPER YELLOW	WATER CLEAR	35	80	30	150	2.1	2.6	65	30
FLPVX.X-SA	3SAC-F	AlGaInP	620	SUPER AMBER	WATER CLEAR	17	100	30	150	2.0	2.6	350	30
FLPVX.X-SR	3SRC-F	GaAiAsP/GaAs	660	SUPER RED	WATER CLEAR	20	80	20	150	1.7	2.6	250	30


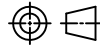
FLPVX.X-XX PART NO.	LED Part No.	Chip			Lens Appearance	Absolute Max. Ratings				Electro-Optical Data @ 20mA			Viewing Angle 2 $\theta$ 1/2 (Deg)
		Material	Peak Wave Length $\lambda_p$ (nm)	Emitted Color		$\Delta\lambda$ (nm)	Pd (mW)	If (mA)	Peak If(mA)	Vf (V)		Iv (mcd)	
										Typ.	Max.	Typ.	
FLPVX.X-UBW,6K	3UBWC-0.6K-F	InGaNSiC	466	BLUE	WATER CLEAR	26	76	50	150	3.5	4.5	600	20
FLPVX.X-UT	3UTC-F	InGaNSiC	502	TURQUOISE	WATER CLEAR	30	70	30	150	3.5	4.5	900	20
FLPVX.X-UG	3UGC-F	InGaAIP	563	GREEN	WATER CLEAR	11	100	30	150	2.2	2.6	800	30
FLPVX.X-SUG	3SUGC-F	InGaAIP	574	GREEN	WATER CLEAR	22	100	30	150	2.2	3.0	1000	30
FLPVX.X-UY	3UYC-F	InGaAIP	588	YELLOW	WATER CLEAR	15	100	30	150	2.0	2.6	600	20
FLPVX.X-SUY	3SUYC-F	InGaAIP	592	YELLOW	WATER CLEAR	15	100	30	150	2.0	2.6	1000	30
FLPVX.X-UUY	3UUYC-F	InGaAIP	592	YELLOW	WATER CLEAR	15	100	30	150	2.1	2.6	2000	30
FLPVX.X-UO	3UOC-F	AlGaInP	620	ORANGE	WATER CLEAR	17	100	30	150	2.2	2.6	1500	30
FLPVX.X-SUO	3SUOC-F	InGaAIP	633	ORANGE	WATER CLEAR	17	100	30	150	2.2	2.6	2200	30
FLPVX.X-UR	3URC-F	GaAlAs/GaAs	660	RED	WATER CLEAR	20	60	30	150	1.7	2.6	400	30
FLPVX.X-SUR	3SURC-F	GaAlAs/GaAs	660	RED	WATER CLEAR	20	65	30	150	2.0	2.6	600	30
FLPVX.X-UW,6K	3UWC-0.6K-F	InGaNSiC	X=.30 Y=.31	WHITE	WATER CLEAR	-	120	30	100	3.5	4.0	1500	30

STANDARD TOLERANCE ( UNLESS OTHERWISE SPECIFIED ) $\pm 10\%$ ALL VALUES		 <b>BIVAR</b> <sup>®</sup> 4 THOMAS, IRVINE, CA. 92618 TEL: (949) 951-8808 FAX: (949) 951-3974	
ANGULAR X° $\pm$ 5°			
		TITLE: FLEXIBLE LIGHT-PIPE ASSY VERTICAL, 3mm LENS CAP W/LED	
DESIGNED: <b>David Green</b>	DATE: <b>06/09/03</b>	PART NO: <b>FLPVX.X-XX</b>	REVISION: <b>G</b>
CHECKED: <b>M. Chen</b>	DATE: <b>06/09/03</b>	CAGE CODE : <b>32559</b>	SHEET # <b>2 OF 3</b>
CAD GENERATED DOCUMENT, DO NOT MEASURE DRAWING.			

REV.	DESCRIPTION	DATE	APPROVED
	SEE SHEET#1.		

FLPVX.X-XX PART NO.	LED Part No.	Chip			Lens Appearance	Absolute Max. Ratings				Electro-Optical Data @ 20mA			Viewing Angle 2 θ ½ (Deg)
		Material	Peak Wave Length λp(nm)	Emitted Color		Δλ (nm)	Pd (mW)	If (mA)	Peak If(mA)	Vf (V)		Iv (mcd)	
										TYP	MAX	TYP	
FLPVX.X-BC	3BCC-F	GaAsP/GaP	635	HE RED	WATER CLEAR	45	80	30	150	2.1	2.6	65.0	45
		GaP/GaP	568	GREEN		30	80	30	150	2.2	2.6	65.0	
FLPVX.X-BC-Y/G	3BCC-Y/G-F	GaAsP/GaP	585	YELLOW	WATER CLEAR	35	80	30	150	2.1	2.6	50.0	45
		GaP/GaP	568	GREEN		30	80	30	150	2.2	2.6	60.0	
FLPVX.X-BC-R/Y	3BCC-R/Y-F	GaAsP/GaP	585	YELLOW	WATER CLEAR	35	80	30	150	2.1	2.6	50.0	45
		GaAsP/GaP	635	HE RED		30	80	30	150	2.1	2.6	60.0	
FLPVX.X-BC-A/G	3BCC-A/G-F	GaAsP/GaP	610	AMBER	WATER CLEAR	35	80	30	150	2.1	2.6	50.0	45
		GaP/GaP	568	GREEN		30	80	30	150	2.2	2.6	60.0	

FLPVX.X-XX PART NO.	LED Part No.	Chip			Lens Appearance	Absolute Max. Ratings				Electro-Optical Data @ 20mA			Viewing Angle 2 θ ½ (Deg)
		Material	Peak Wave Length λp(nm)	Emitted Color		Δλ (nm)	Pd (mW)	If (mA)	Peak If(mA)	Vf (V)		Iv (mcd)	
										TYP	MAX	TYP	
FLPVX.X-SBC	3SBCC-F	GaAiAsP/GaAs	660	SUPER RED	WATER CLEAR	20	60	30	150	1.8	2.6	150	35
		GaP/GaP	568	HE GREEN		30	80	30	150	2.2	2.6	80	
FLPVX.X-SBC-Y/G	3SBCC-Y/G-F	GaAsP/GaP	590	SUPER YELLOW	WATER CLEAR	15	100	30	150	2.0	2.6	400	35
		GaP/GaP	568	HE GREEN		30	100	30	150	2.2	2.6	80	
FLPVX.X-SBC-R/Y	3SBCC-R/Y-F	GaAiAsP/GaAs	660	SUPER RED	WATER CLEAR	20	60	30	150	1.8	2.6	150	35
		GaAsP/GaP	590	SUPER YELLOW		15	100	30	150	2.0	2.6	400	

STANDARD TOLERANCE ( UNLESS OTHERWISE SPECIFIED ) ±10% ALL VALUES		 <b>BIVAR</b> ® 4 THOMAS, IRVINE, CA. 92618 TEL: (949) 951-8808 FAX: (949) 951-3974	
ANGULAR X° ± 5°			
		<b>TITLE:</b> FLEXIBLE LIGHT-PIPE ASSY VERTICAL, 3mm LENS CAP W/LED	
DESIGNED: <b>David Green</b>	DATE: <b>06/09/03</b>	<b>PART NO:</b> FLPVX.X-XX	REVISION: <b>G</b>
CHECKED: <b>M. Chen</b>	DATE: <b>06/09/03</b>	<b>CAGE CODE :</b> 32559	<b>SHEET #</b> 3 <b>OF</b> 3
CAD GENERATED DOCUMENT, DO NOT MEASURE DRAWING.			