

SEVEN SEGMENT NUMERIC DISPLAY

High Performance GaP, GaAsP Dice
0.56 inch Character Height
High Contrast
Wide Viewing Angle
Common Anode - MG456A, MO456A, MS456A, MY456A
Common Cathode - MG456C, MO456C, MS456C, MY456C

ABSOLUTE MAXIMUM RATINGS(Ta=25°C)

	MG456			UNIT
	MS456	MY456	MO456	
Power Dissipation / Segment	40	60	75	mW
Peak Forward Current / Segment	60	80	100	mA
Continuous Forward Current / Segment	15	20	25	mA
Reverse Voltage / Segment	5	5	5	V
Operating Temperature Range	-25 to +85			°C
Storage Temperature Range	-25 to +85			°C

* Note : Pulse Width = 1mS, Duty Ratio = 1/10.

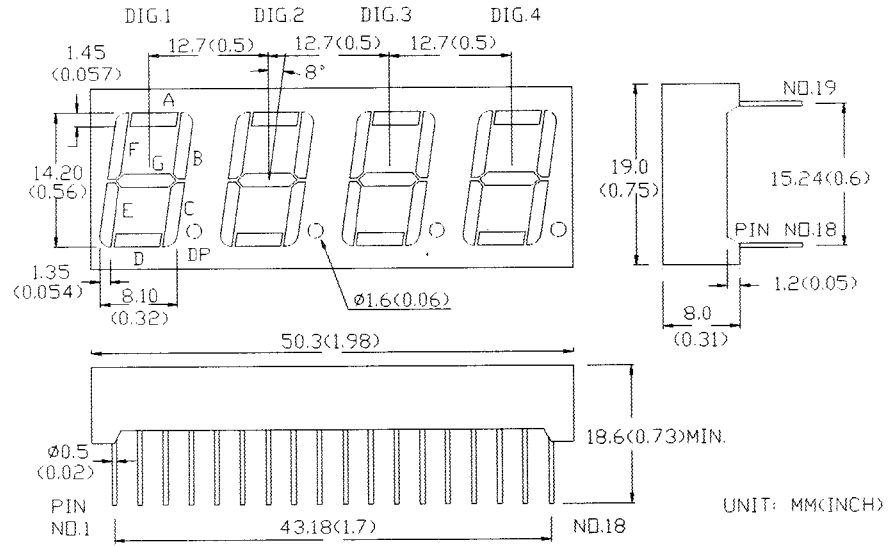
ELECTRO-OPTICAL CHARACTERISTICS (Ta=25°C)

PARAMETER	SYMBOL	MG456	MO456	MS456	MY456	UNIT	CONDITIONS
Forward Voltage	MAX VF	3.0	3.0	3.0	3.0	V	IF=20mA
Luminous Intensity	MIN IV	1500	1200	400	1000	mcd	IF=10mA
Segment to Segment	MAX	2:1	2:1	2:1	2:1		IF=20mA
Luminous Intensity Ratio							
Peak Wavelength	TYP λp	570	630	700	595	nm	IF=20mA
Spectral Line Half Width	TYP Δλ	30	40	100	35	nm	IF=20mA

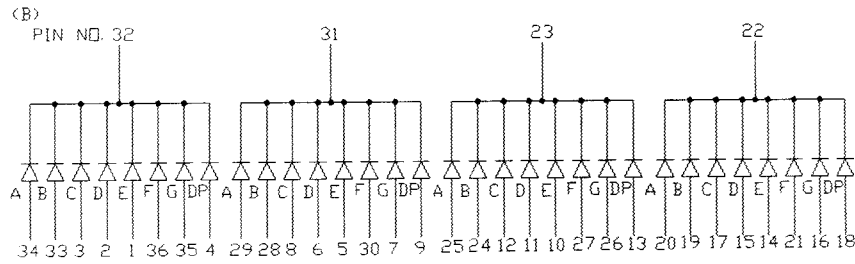
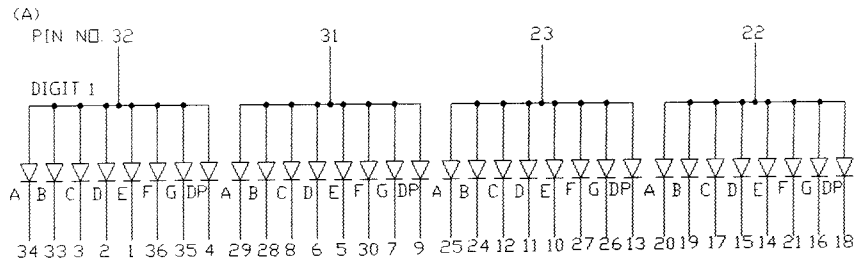


MECHANICAL OUTLINE:

www.DataSheet4U.com



CIRCUIT DIAGRAM:



MG456A
MO456A
MS456A
MY456A

MG456C
MO456C
MS456C
MY456C