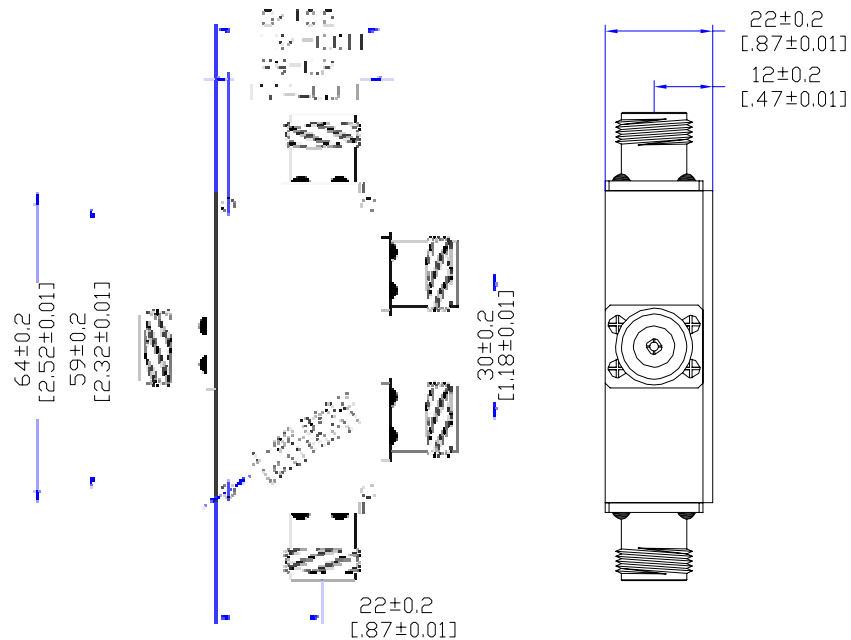


Power Divider

P/N: JXWBGF-T-4-3400-6800

Frequency Range(GHz)	3.4-6.8
Insertion Loss(dB)	1.2 max
Isolation(dB)	10 min
Phase Balance(°)	5 max
Amplitude Balance(dB)	0.5 max
VSWR	1.30 max
Impedance(Ohm)	50
Power Handling(W)	20 CW
Connector	N-Female
Operating Temperature(°C)	-30 ~ +55

Outline Drawing (Size: mm)



For current data sheets, please contact: sales@aacix.com