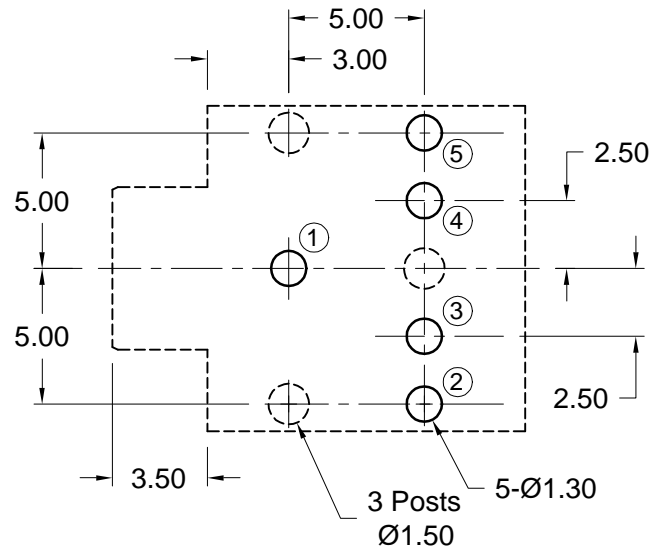
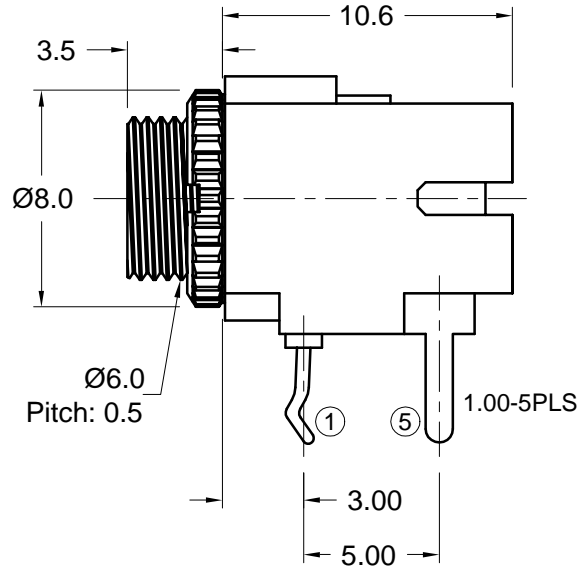


M6 Knurled Nut Included
(not installed)



PCB LAYOUT
(BOTTOM VIEW)

Materials and Finish

Housing: PBT Thermoplastic
30% Glass Filled, Black
UL 94V-0 Rated

Terminals: Phosphor Bronze,
100u" Tin over
100u" Nickel plating

Mechanical Characteristics

Insertion Force:
0.4kg - 2.0kg

Extraction Force:
0.3kg - 2.0kg

Durability: 5000 mating cycles

Electrical Characteristics

Contact Resistance:
Before Test: 30mohms Max.
After Durability Test:
60 mohms Max.

Insulation Resistance:
More than 100 Megohms
at 250V DC

Dielectric Strength:
250V AC RMS for 1 minute

Operating Temp:
-25°C to +80°C



Tolerances
X.X ± 0.25
X.XX ± 0.15
Unless Stated Otherwise

REVISION	DATE	DESCRIPTION	DRAWN BY	REV CHECK BY	UNITS
A1	4/5/02	ECO #01-128	M. Ylu	C. Leiva	mm
A2	4/12/02	Release Dwg	REVISED BY	REV CHECK DATE	DATE
A3	7/25/03	ECO #03-036	T. Gokcek	7/28/03	12/12/01

ST-3100-5C

3.5mm Stereo Jack

One Single Throw Double Pole Switch,

