



CONNOR-WINFIELD CORPORATION

AURORA, IL. 60505
PHONE (630) 851-4722
FAX (630) 851-5040

HIGH FREQUENCY VCXO WITH TRI-STATE

SPECIFICATIONS	HVT54I-100	HVT54I-150	HVT54I-200
Frequency Range (Fo)	30MHz to 100MHz	30MHz to 100MHz	30MHz to 65MHz
Frequency Stability (Voltage Control= 2.50Vdc)			
Vs Temperature	±10ppm Typical		
Vs Calibration @25°C	±5ppm Typical		
Vs Aging (15yrs)	±5ppm		
Total Frequency Tolerance	±20ppm Maximum (Referenced to Fo)		
Temperature Range	0°C to +70°C		
Waveform	CMOS Squarewave, TTL Compatible		
Load	50pF Maximum		
Voltage			
Voh	4.5V Minimum		
Vol	0.5V Maximum		
Current			
Ioh	-16mA		
Iol	16mA		
Duty Cycle	40/60 Maximum		
Rise/Fall Time	3nS Maximum		
Jitter (RMS)	5pS Maximum		
SSB Phase Noise (Typical)	-65dBc/Hz @ 10Hz , -130dBc/Hz @10KHz		
Frequency Control			
Pullability @25°C (Referenced to Fo)	±50ppm Minimum ±100ppm Maximum	±75ppm Minimum ±150ppm Maximum	±100ppm Minimum ±200ppm Maximum
Absolute Pull Range	±30ppm Minimum	±55ppm Minimum	±80ppm Minimum
Slope	Positive Transfer Characteristic		
Control Voltage	0.5Vdc to 4.5Vdc		
Monotonic Linearity	< ±10%		
Input Impedance	≥ 50K ohms		
Modulation Bandwidth	≥ 15KHz		
Input (Tri-State Enable/Disable Function)			
Output E/D Time	100nS Maximum		
Enable Vih	2.0V Minimum - Output Active		
Disable Vil	0.8V Maximum - Output High Impedance		
No connection	Output is enabled with no connection on pin 3		
Supply Voltage	+5Vdc ±5%		
Supply Current	50mA Max <50MHz , 70mA Max <100MHz		
Package	All metal, hermetically sealed, welded package		

WARNING! Do not insert oscillator into a hot circuit. Failure to comply will result in damage to oscillator.

Specifications subject to change without notice

BULLETIN #: VX227
PAGE 1 OF 2

REV: 02
DATE: 7/2/98

ISSUED BY: _____

Dimensional Tolerance: ±.02"
±.005"



CONNOR-WINFIELD CORPORATION

AURORA, IL. 60505

PHONE (630) 851-4722

FAX (630) 851-5040

14 PIN VCXO OSCILLATOR

EXAMPLE MODEL NUMBER:

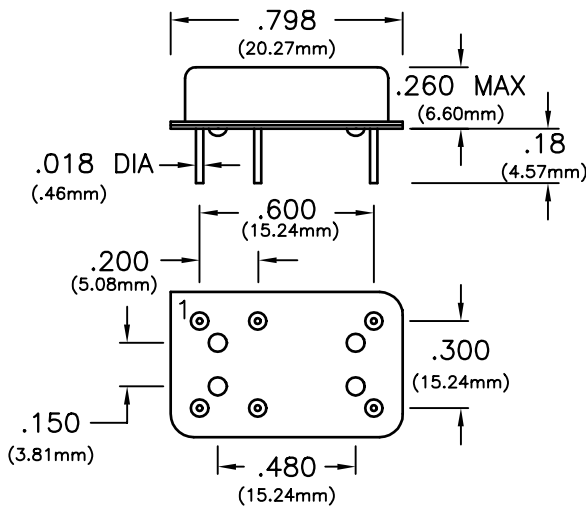
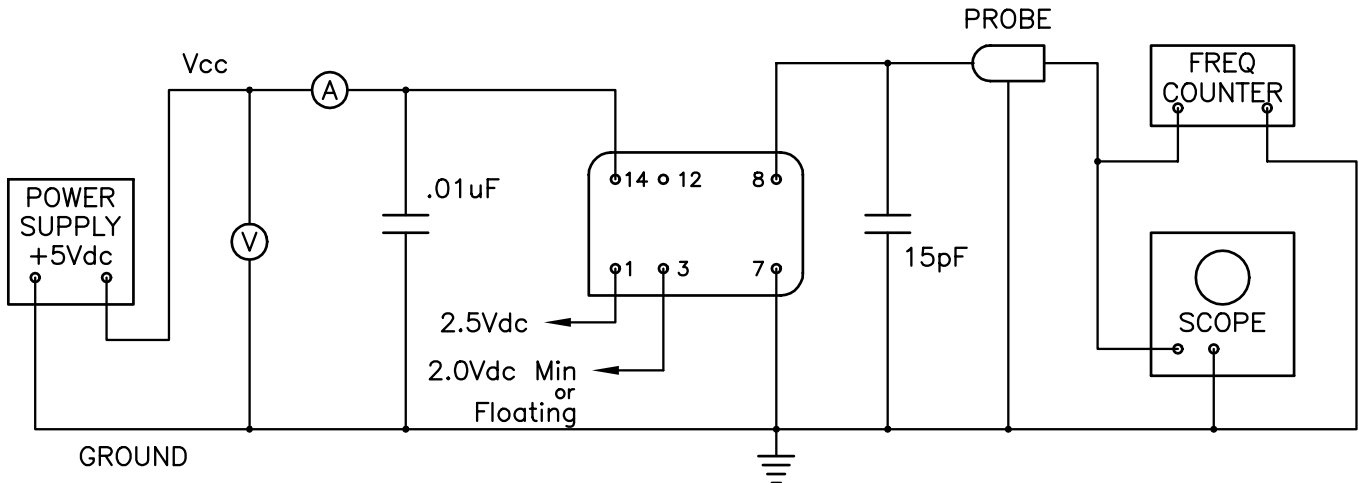
H V T 5 4 1 - 1 0 0 / 4 4 . 7 3 6 M H z

VCXO SERIES

MINIMUM DEVIATION OF
±50ppm FROM 0.5
TO 4.5Vdc CONTROL
VOLTAGE.

CENTER FREQUENCY

TEST CIRCUIT



PIN	CONNECTION
1	CONTROL VOLTAGE
3	TRI-STATE VOLTAGE
7	GROUND (CASE)
8	OUTPUT
12	NO CONNECTION
14	(+) SUPPLY

Specifications subject to change without notice

BULLETIN #: VX227
PAGE 2 OF 2

REV: 02
DATE: 7/2/98

ISSUED BY: _____

Dimensional Tolerance: ±.02"
±.005"