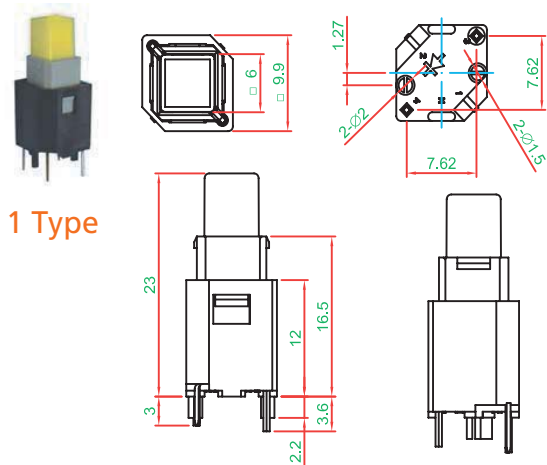


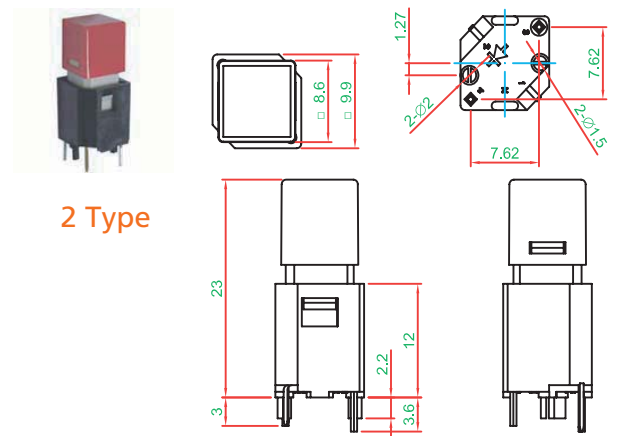
Tactile Switches

SPST THT Tactile Switches with LED

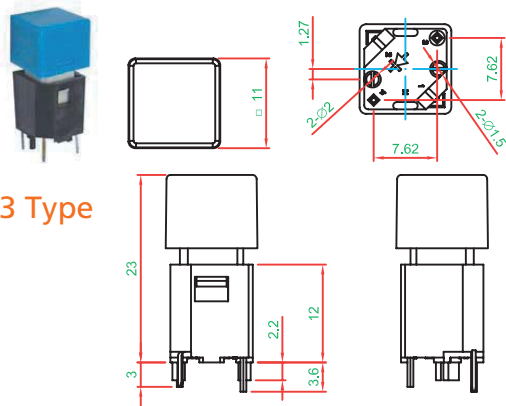
TPN Series



1 Type

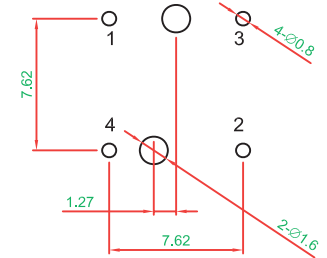


2 Type

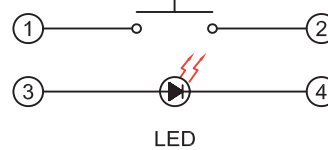


3 Type

P.C.B. LAYOUT



CIRCUIT DIAGRAM



How to order:

TPN

- 1 CAP:**
 - 1 1 Type (s. drawings)
 - 2 2 Type (s. drawings)
 - 3 3 Type (s. drawings)
- 2 CAP COLOR:**
 - B White
 - C Red
 - G Blue
 - J Transparent
- 3 CAP SURFACE:**
 - B Silver
 - N Without
- 4 CAP SYMBOL:**

N	WITHOUT	
01		02
03		04
05		06
07		08
09		10 OK
- 5 LEFT LED BRIGHTNESS:**
 - U Ultra Bright
 - R Regular
 - N Without LED
- 6 LEFT LED COLORS:**
 - G Blue
 - E Yellow
 - F Green
 - C Red
 - B White
- 7 RIGHT LED BRIGHTNESS:**
 - U Ultra Bright
 - R Regular
 - N Without LED
- 8 RIGHT LED COLOR:**
 - G Blue
 - E Yellow
 - F Green
 - C Red
 - B White

General Specifications:

SWITCH SPECIFICATIONS	
POLE - POSITION	Momentary Type , SPST with LED
CONTACT RATING	12 V DC , 50 mA
CONTACT RESISTANCE	500 mΩ max . 1.5 V DC ; 100 mA , by Method of Voltage DROP
INSULATION RESISTANCE	100 MΩ min . 100 V DC for 1 minute
DIELECTRIC STRENGTH	Breakdown is not Allowable ; 250 V AC for 1 Minute
OPERATING FORCE	350 gf +/- 100gf
OPERATING LIFE	30,000 cycles
OPERATING TEMPERATURE RANGE	-20°C ~ 70°C
TOTAL TRAVEL	1.4 + 0.2 / - 0.1 mm

LED SPECIFICATIONS		Value / LED Color			
ATTENTION	Unit	Value / LED Color			
		Blue	Green	Red	Yellow
ATTENTION LEDs are Electrostatic Sensitive devices					
FORWARD CURRENT	I _f mA	30	30	15	20
REVERSE VOLTAGE	V _r V	5.0	5.0	5.0	5.0
REVERSE CURRENT	I _r μA	10	10	10	10
FORWARD VOLTAGE@20mA	V _f V	3.5-3.8	1.7-2.6	1.7-2.6	1.7-2.6
LUMINOUS INTENSITY@20mA	I _v mcd	45	6	4	5