

HN62302B Series

2M (256K x 8-bit) Mask ROM

DESCRIPTION

The Hitachi HN62302B is a 2-Megabit CMOS Mask Programmable ROM organized as 262,144 x 8 bit.

The low power consumption of this device makes it ideal for battery powered, portable systems. In addition, the high density and high speed provide enough capacity and high performance to be used as a character generator in laser printers.

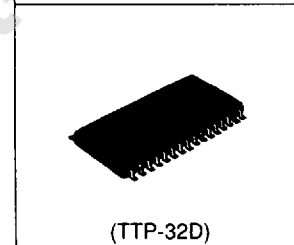
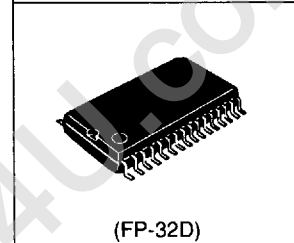
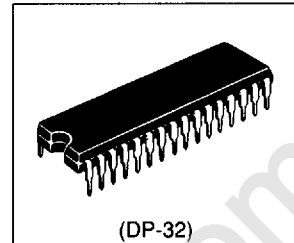
Hitachi's HN62442B is offered with JEDEC-Standard pinouts in 32-pin Plastic DIP and 32-lead Plastic SOP and TSOP packages.

FEATURES

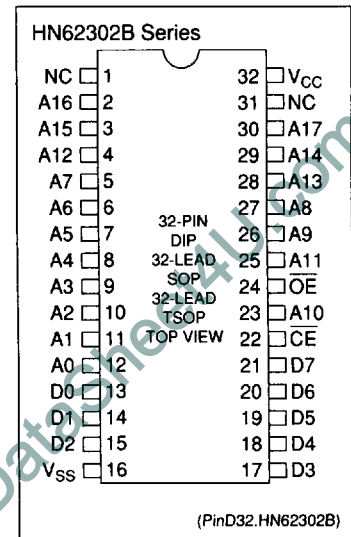
- Single Power Supply:
 $V_{cc} = 5 V \pm 10\%$
- Fast Access Times:
 170 ns/200 ns (max)
- Low Power Consumption:
 Active Current: 100 mW (typ)
 Standby Current: 5 μ W (typ)
- Byte-Wide Data Organization
- TTL-Compatible Inputs and Outputs
- Three-State Data Outputs
- Pin Arrangements:
 JEDEC Standard Byte-Wide EPROM
- Packages:
 32-pin Plastic DIP
 32-lead Plastic SOP
 32-lead Plastic TSOP (Type II)

ORDERING INFORMATION

Type No.	Access Time	Package
HN62302BP	170 ns 200 ns	32-pin Plastic DIP (DP-32)
HN62302BF	170 ns 200 ns	32-lead Plastic SOP (FP-32D)
HN62302BTT	170 ns 200 ns	32-lead Plastic TSOP (TTP-32D)



PIN ARRANGEMENT

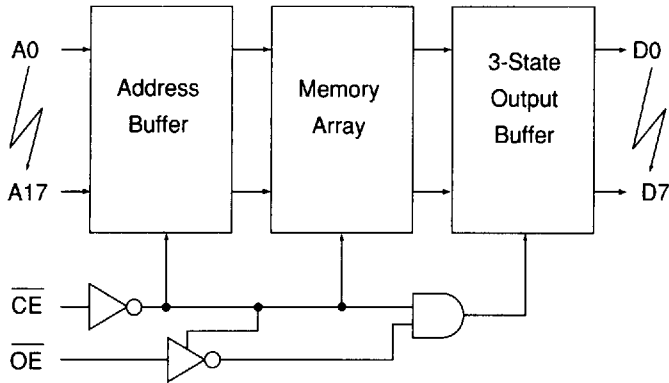


4496203 0025251 178

HITACHI

Hitachi America, Ltd. • 2000 Sierra Point Pkwy. • Brisbane, CA 94005-1819 • (415) 589-8300

■ BLOCK DIAGRAM



(BD.HN62302B)

■ PIN DESCRIPTION

Pin Name	Function
A ₀ - A ₁₇	Address
D ₀ - D ₇	Output
\overline{CE}	Chip Enable
\overline{OE}	Output Enable
V _{CC}	Power Supply
V _{SS}	Ground
NC	No Connection

■ ABSOLUTE MAXIMUM RATINGS

Item	Symbol	Value	Unit
Supply Voltage ¹	V _{CC}	-0.3 to +7.0	V
All Input and Output Voltage ¹	V _T	-0.3 to V _{CC} + 0.3	V
Operating Temperature Range	T _{OPR}	0 to +70	°C
Storage Temperature Range	T _{STG}	-55 to +125	°C
Temperature Under Bias	T _{BIAS}	-20 to +85	°C

Note: 1. Relative to V_{SS}.

■ CAPACITANCE

(V_{CC} = 5V ± 10%, V_{SS} = 0V, T_a = 25°C, V_{IN} = 0V, f = 1MHz)

Item	Symbol	Min.	Typ.	Max.	Unit
Input Capacitance ¹	C _{IN}	-	-	15	pF
Output Capacitance ¹	C _{OUT}	-	-	15	pF

Note: 1. This parameter is sampled and not 100% tested.

HITACHI

■ DC ELECTRICAL CHARACTERISTICS FOR READ OPERATION

($V_{CC} = 5V \pm 10\%$, $V_{SS} = 0V$, $T_a = 0$ to $+70^\circ C$)

Item	Symbol	Min.	Typ.	Max.	Unit	Test Condition
Input Leakage Current	I_{LI}	-	-	10	μA	$V_{IN} = 0$ to V_{CC}
Output Leakage Current	I_{LO}	-	-	10	μA	$\overline{CE} = 2.2V$, $V_{OUT} = 0$ to V_{CC}
Operating V_{CC} Current	I_{CC}	-	-	50	mA	$V_{CC} = 5.5V$, $ID_{OUT} = 0$ mA, $t_{RC} = \text{min.}$
Standby V_{CC} Current	I_{SB}	-	-	30	μA	$V_{CC} = 5.5V$, $\overline{CE} \geq V_{CC} - 0.2V$
Input Voltage	V_{IH}	2.2	-	$V_{CC} + 0.3$	V	
	V_{IL}	-0.3	-	0.8	V	
Output Voltage	V_{OH}	2.4	-	-	V	$I_{OH} = -205 \mu A$
	V_{OL}	-	-	0.4	V	$I_{OL} = 1.6$ mA

■ AC ELECTRICAL CHARACTERISTICS FOR READ OPERATION

($V_{CC} = 5V \pm 10\%$, $V_{SS} = 0V$, $T_a = 0$ to $+70^\circ C$)

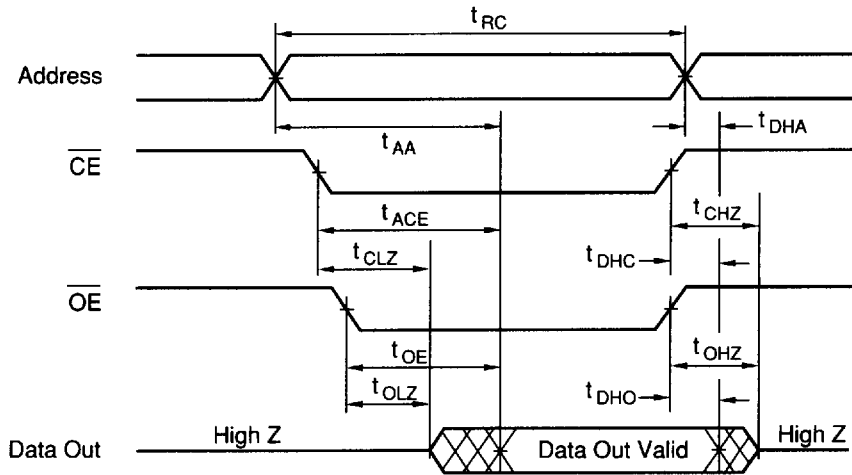
Test Conditions

- Input pulse levels: 0.8 / 2.4V
- Input rise and fall times: ≤ 10 ns
- Output load: 1 TTL Gate + $CL = 100$ pF (Including jig capacitance)
- Reference level for measuring timing: 1.5 V

Item	Symbol	HN62302B-17		HN62302B-20		Test Unit
		Min.	Max.	Min.	Max.	
READ Cycle Time	t_{RC}	170	-	200		ns
Address Access Time	t_{AA}	-	170	-	200	ns
Chip Enable Access Time	t_{ACE}	-	170	-	200	ns
Output Enable Access Time	t_{OE}	-	70	-	100	ns
Output Hold Time from Address Change	t_{DHA}	0	-	0	-	ns
Output Hold Time from Chip Enable	t_{DHC}	0	-	0	-	ns
Output Hold Time from Output Enable	t_{DHO}	0	-	0	-	ns
Chip Enable to Output in High-Z ¹	t_{CHZ}	-	70	-	70	ns
Output Enable to Output in High-Z ¹	t_{OHZ}	-	70	-	70	ns
Chip Enable to Output in Low-Z	t_{CLZ}	10	-	10	-	ns
Output Enable to Output in Low-Z	t_{OLZ}	10	-	10	-	ns

Note: 1. t_{CHZ} and t_{OHZ} are defined as the time at which the output becomes an open circuit and are not referenced to output voltage levels.

■ READ TIMING WAVEFORM



(TD.R.HN62302B)

- Note:
1. t_{DHA} , t_{DHC} , t_{DHO} are determined by the faster time.
 2. t_{AA} , t_{ACE} , t_{OE} are determined by the slower time.
 3. t_{CLZ} , t_{OLZ} are determined by the slower time.