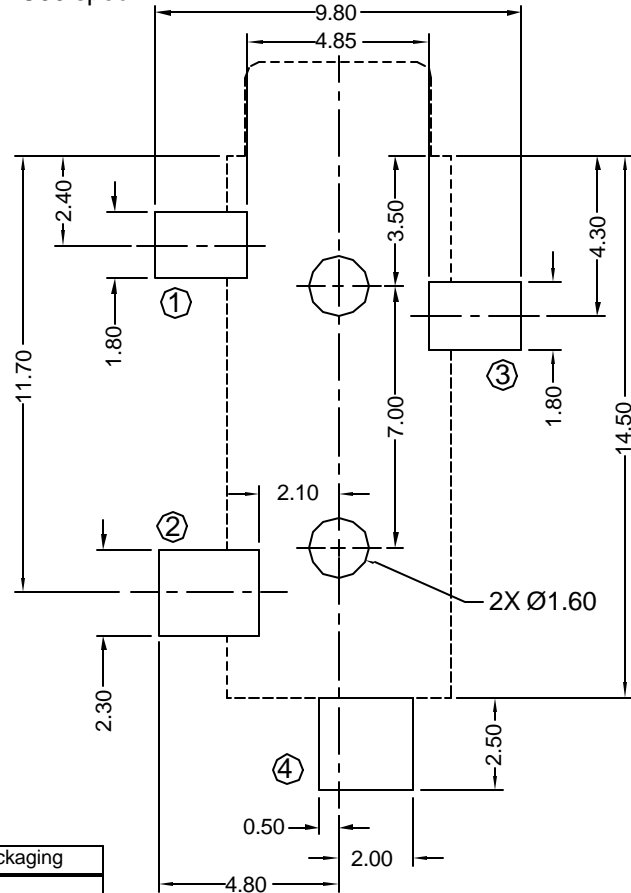
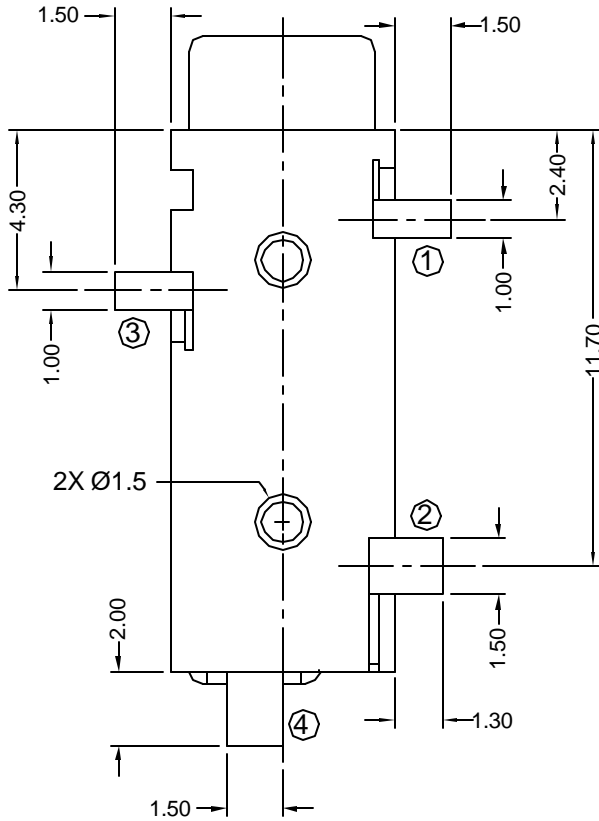
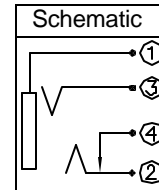


Insulator Color: Pantone 577C (Lime)
See PC99 spec



Recommended PCB Layout
(Top View)



Part Number	Packaging
ST-3500-4N-577C	Bulk
ST-3500-4N-577C-TR	Tape and Reel

Materials and Finish

Housing: polyamide,
UL 94V-0 rated,
reflow process compatible,
Color: Pantone 577C (Lime)

Recommended Soldering Temp.:
230°C for 30 seconds,
260°C maximum

Terminals: copper alloy,
silver plating all over
nickel underplating

Mechanical Characteristics

Insertion Force:
3.0kg Max.

Extraction Force:
0.2kg Min.

Durability: 5000 mating cycles

Electrical Characteristics

Contact Resistance:
Before Test: 50 milliohms max.
After Durability Test:
100 milliohms max.

Rated Voltage:
16 V DC

Rated Current:
0.3A

Insulation Resistance:
100 Megohms min.
at 500V DC

Dielectric Strength:
500V AC RMS for 1 minute

Operating Temp:
-25°C to +85°C

Tolerances

X.X ± 0.25
X.XX ± 0.15
Unless Stated
Otherwise

CSA NRTL/C Certified File No. LR78160

REVISION	DATE	DESCRIPTION	DRAWN BY	CHECKED BY	UNITS
C1	11/19/01	Ref ECD 01-210	K. Wallace	C. Leiva	mm
C2	2/7/03	Ref ECD 02-140	REVISED BY	CHECK DATE	DATE
D1	2/24/04	Ref ECD 04-014	J. Wong	2/25/04	7/19/00

ST-3500-4N-577C

Stereo Jack, 4 position, PC99 Color

All Plastic Body, Rt. Ang, SMT Type

