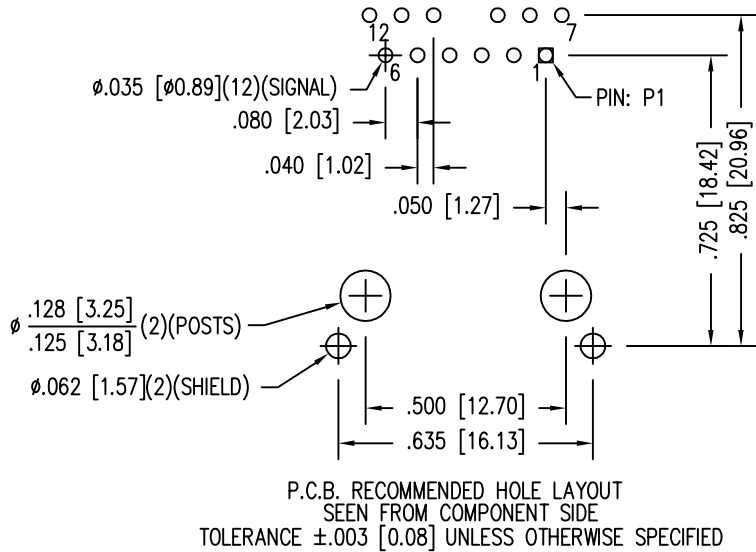
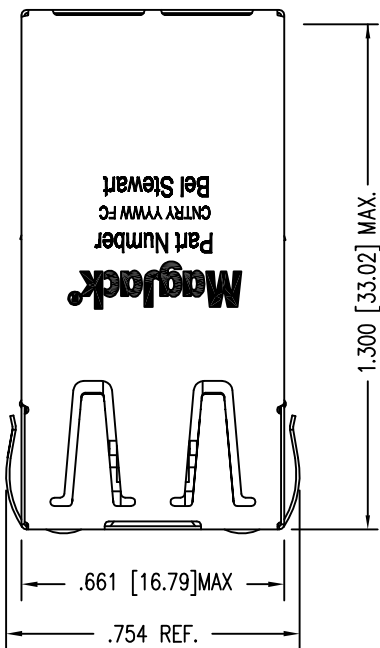


ELECTRICAL SPECIFICATIONS:

- 1.0 TURNS RATIO: (P3-P2) : (J4-J5) : 1 : 1 ±2%  
 (P5-P4) : (J6-J3) : 1 : 1 ±2%  
 (P9-P8) : (J8-J7) : 1 : 1 ±2%  
 (P10-P11) : (J2-J1) : 1 : 1 ±2%
- 2.0 INDUCTANCE: (P3-P2) ; (P5-P4) : 350 uH MIN. @ 0.1V, 100KHz, 8 mA DC BIAS  
 (P10-P11) ; (P9-P8) : 350 uH MIN. @ 0.1V, 100KHz, 8 mA DC BIAS
- 3.0 LEAKAGE INDUCTANCE: P3-P2 (WITH J4 AND J5 SHORT) : 0.3uH MAX. @ 1MHz  
 P5-P4 (WITH J6 AND J3 SHORT) : 0.3uH MAX. @ 1MHz  
 P9-P8 (WITH J8 AND J7 SHORT) : 0.3uH MAX. @ 1MHz  
 P10-P11 (WITH J1 AND J2 SHORT) : 0.3uH MAX. @ 1MHz
- 4.0 INTERWINDING CAPACITANCE: (P3-P2) : (J4-J5) : 35pf MAX @ 1MHz  
 (P5-P4) : (J6-J3) : 35pf MAX @ 1MHz  
 (P9-P8) : (J5-J4) : 35pf MAX @ 1MHz  
 (P10-P11) : (J2-J1) : 35pf MAX @ 1MHz
- 5.0 DC RESISTANCE: (J6-J3) ; (J2-J1) ; (J7-J8) : (J4-J5) : 1.2 ohms Max.

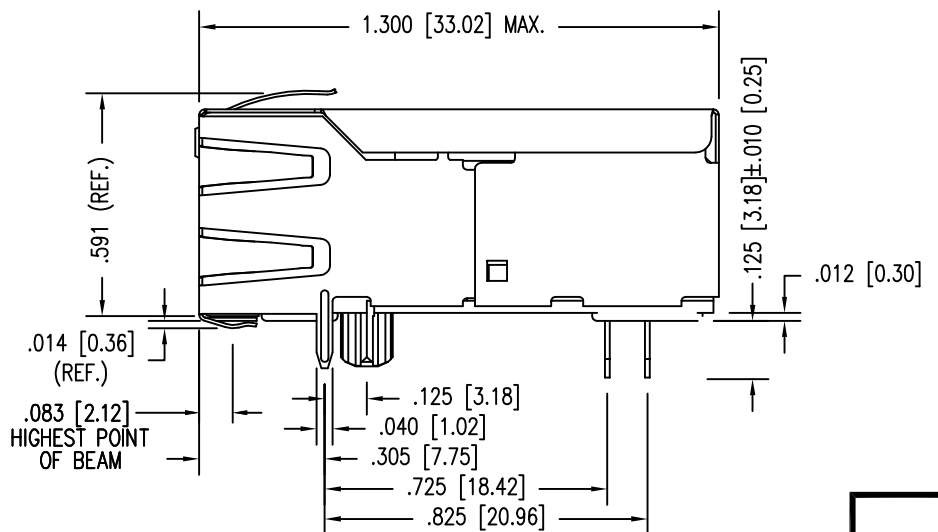
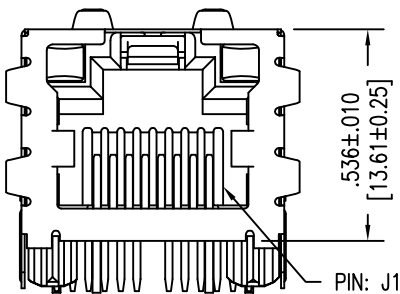
Bel Stewart C  
 11118 Susquehanna  
 Glen Rock, Pa 1732  
 717.234.7512

- 6.0 RETURN LOSS: 1MHz TO 30MHz : -19dB MIN.  
30MHz TO 60MHz : -13dB MIN.  
60MHz TO 80MHz : -12dB MIN.  
80MHz TO 100MHz : -10dB MIN.
- 7.0 DIELECTRIC WITHSTAND: (J1,J2) TO (P10,P11) ; (J5,J4) TO (P3-P2) : 1500 VAC  
(J3,J6) TO (P5,P4) ; (J8,J7) TO (P9, P8) : 1500 VAC
- 8.0 INSERTION LOSS: RS=RL=100 ohms  
100KHz TO 125MHz : -1.1 dB TYP
- 9.0 RISE TIME: RS=100 OHMS AND RL = 100 OHMS  
OUTPUT VOLTAGE = 1 V peak : 3.0 nS MAX  
PULSE WIDTH= 112nS : 3.0 nS MAX
- 10.0 CROSS TALK: 1-100 MHz :  $-[33-20 \text{ LOG } (\frac{F}{50 \text{ MHz}})] \text{ MIN.}$
- 11.0 COMMON TO COMMON MODE ATTENUATION: 1MHz TO 100MHz : -35dB TYP



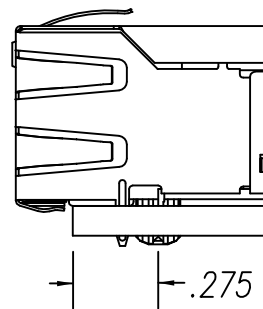
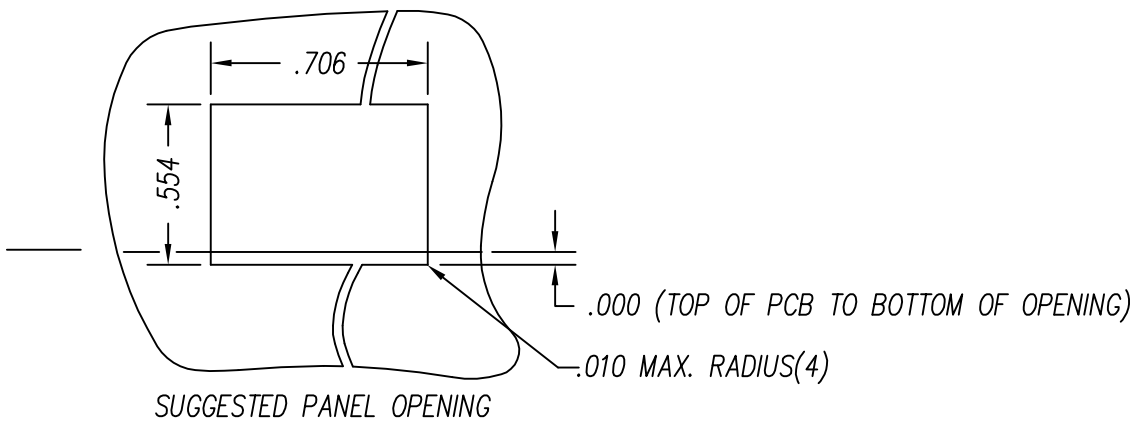
NOTES:

1. CONNECTOR MATE...  
HOUSING: THERM...  
CONTACT/SHIELD: ...  
SHIELD PLATING: ...  
CONTACT PLATING...
2. PIN NOT ELECTRIC...  
SEE ELECTRICAL I...
3. TOLERANCES COM...
4. THE SUGGESTED P...  
USER THE ABILITY...  
CLEARANCES, YET...
5. HIGH TEMPERATUR...



THIS DRAWING AND THE SUBJECT MATTER SHOWN THEREON ARE CONFIDENTIAL AND PROPERTY OF BEL STEWART CONNECTOR AND SHALL NOT BE REPRODUCED, COPIED, OR USED IN ANY MANNER WITHOUT PRIOR WRITTEN CONTENT OF BEL STEWART CONNECTOR. THE SUBJECT MATTER MAY BE PATENTED OR A PATENT MAY BE PENDING.

Bel Stewart  
11118 Susquehanna  
Glen Rock, Pa 1732  
717.234.7512



THE SUGGESTED PA  
 TO GIVE THE USER  
 REASONABLE JACK  
 YET MAINTAIN RELIA  
 CAPABILITY.

CT720034X1/24-0163

THIS DRAWING AND THE SUBJECT MATTER SHOWN THEREON ARE CONFIDENTIAL AND PROPERTY OF BEL STEWART CONNECTOR  
 AND SHALL NOT BE REPRODUCED, COPIED, OR USED IN ANY MANNER WITHOUT PRIOR WRITTEN CONTENT OF BEL STEWART  
 CONNECTOR. THE SUBJECT MATTER MAY BE PATENTED OR A PATENT MAY BE PENDING.

Bel Stewart C  
 11118 Susquehanna  
 Glen Rock, Pa 1732  
 717.234.7512

SHEET  
 4 OF 4