

25 Mil Pitch, IEEE 1284 Termination Network Resistor, Capacitor, Diode



Product is pictured larger than actual size to show detail

Vishay has upgraded the standard IEEE 1284 Thin Film technology Network, incorporating diodes for protecting the inputs/outputs from electro-static discharge (ESD).

The sophisticated circuit is housed in a standard QSOP, 28-pin package.

Uses include ECP/EPP parallel port terminations for PC peripherals, notebooks, desktops, workstations and servers.

This is a guaranteed stock part.

FEATURES

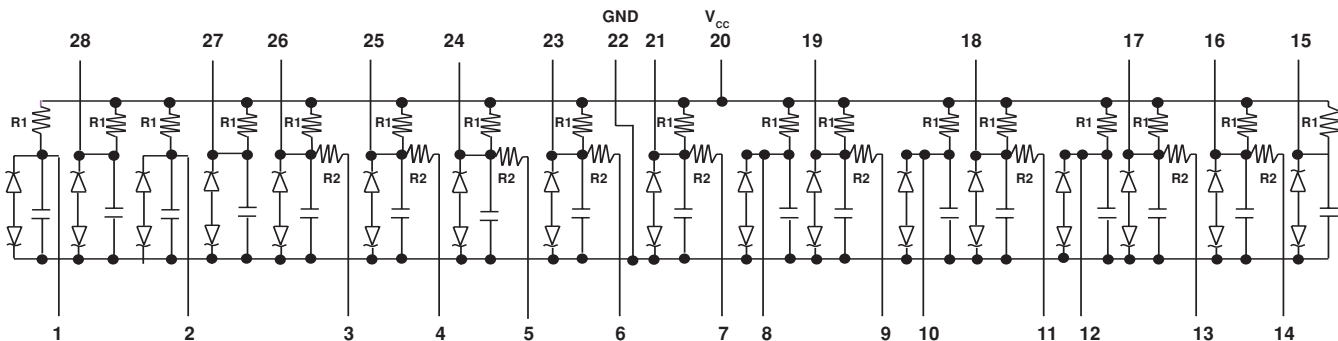
- One sophisticated, integrated Thin Film technology solution
- Up-graded IEEE 1284 parallel port termination, pull-up with the addition of diodes for filtering on the parallel port
- Standard QSOP package (28 pins)
- 17 terminating lines
- Reduces total cost
- Increase board utilization
- Better performance over discretes

STANDARD ELECTRICAL SPECIFICATIONS	
Absolute Tolerance (R)	± 10%
Absolute Tolerance (C)	± 20%
Power Rating	Per Resistor 100mW Per Package 1 Watt
Signal Clamp Voltage	(+) Clamp > 6V (-) Clamp < - 6V
Maximum Leakage Current @ Vcc Max	1µA @ 25°C
Operating Temperature	0° to 70°C
Storage Temperature	- 65°C to + 150°C

MECHANICAL SPECIFICATIONS	
R/C Element	Polysilicon/Thin Film
Substrate Material	Silicon
Body	Molded Epoxy
Terminals	Copper Alloy
Plating	Tin Lead Solder
Lead Coplanarity	0.005 Inches
Marking Resistance to Solvents	MIL-STD-202, Method 15
Flammability	UL94 V-0

SCHEMATIC

RC NETWORKS





ESD PROTECTION		
	MAX.	MIN.
Peak Discharge Voltage at any I/O, Human Body Model, Method 3015 (Note 1)	+ 8KV	- 4KV
In System Protection HBM (Note 2)	+ 15KV	- 8KV
In System Protection, IEC 1000-4-2, Level 2 (Note 2, 3)	+ 8KV	- 4KV
Channel Clamp Voltage @ 8KV ESD Pulses, HBM (Note 1, 2)	+ 30V	- 30V

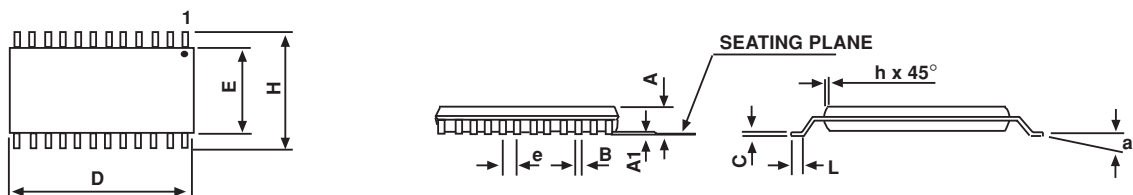
NOTE 1: Human Body Model per MIL-STD-883, Method 3015

$$C_{\text{Discharge}} = 100\text{pF}, R_{\text{Discharge}} = 1.5\text{K}\Omega \text{ pin 20 @ 5V and pin 22 @ ground.}$$

NOTE 2: Pin 22 grounded, pin 20 to V_{CC} all other pins are open. ESD contact discharge between ground and Pins 1, 2, 8, 10, 12, 15, 16, 17, 18, 19, 21, 23 through 28, one at a time.

NOTE 3: Standard IEC 1000-4-2 with $C_{\text{Discharge}} = 150\text{pF}, R_{\text{Discharge}} = 330\Omega$ pin 20 @ 5V and pin 22 @ ground.

DIMENSIONS AND IMPRINTING in inches and millimeters



MODEL	A	A1	B	C	D	E	e	H	h	L	a°
Inches max.	0.068	0.008	0.012	0.010	0.394	0.157	0.025	0.244	0.016	0.035	8
Millimeters max.	1.727	0.203	0.305	0.254	10.008	3.988	0.635	6.198	0.406	0.889	

NOTE: Mold flash not included in body dimensions.
JEDEC MO137 Package

AVAILABLE MODELS			
	R1 (Ohms)	R2 (Ohms)	C (pF)
VSSX1284A	4.7K	33	180
VSSX1284B	2.2K	33	220

How to Order

SPECIFY MODEL	PACKAGING CODE
VSSX1284A or VSSX1284B	R = Tape and Reel or T = Tubes

Example: **VSSX1284AT** - MODEL: A
PACKAGING: Tubes