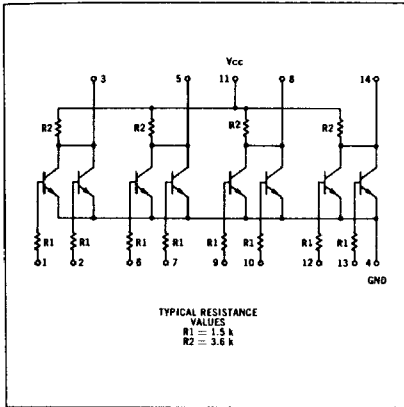


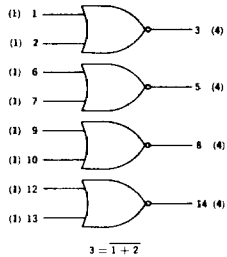
QUAD 2-INPUT GATES

PLASTIC mW MRTL MC700P/800P series

MC717P • MC817P



Four 2-input positive logic NOR gates in a single package. Each may be used independently, paralleled for increasing the number of inputs (subject to loading rules), or cross-coupled to form bistable elements.



NUMBER IN PARENTHESES INDICATES LOADING FACTOR

$t_{pd} \leq 27\text{ ns}$   
 $P_o \leq 20\text{ mW}$  (input High)  
 $5.0\text{ mW}$  (input Low)

SWITCHING TIMES TEST CIRCUIT AND WAVEFORMS

