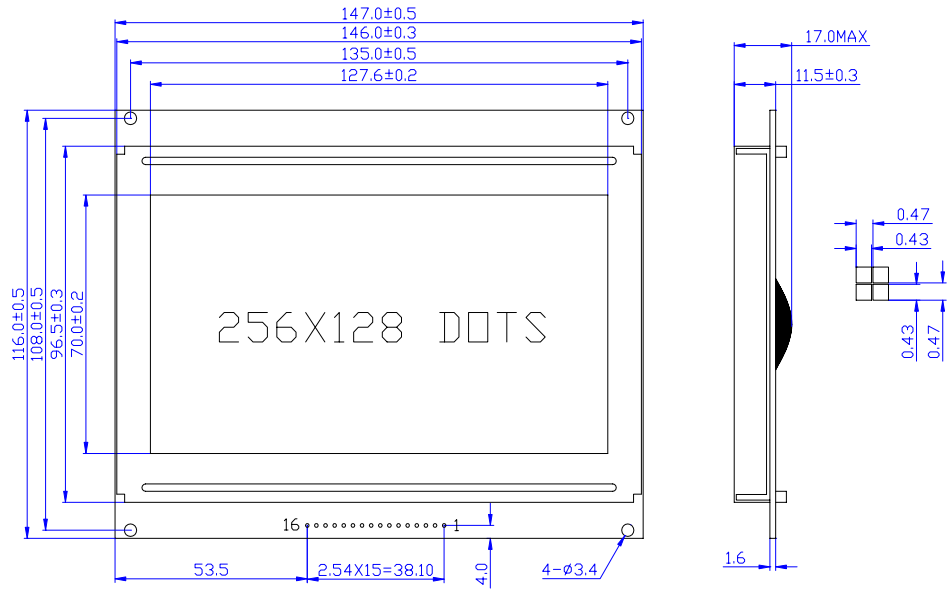


RT256128A-1

SHENZHEN RUIITE ELECTRONIC CO., LTD
 Address: 深圳市宝安区79区西乡流塘107国道1-3栋8楼
 Tel: 86-755-27931867, 27931884, 27931806, 27931875
 FAX: 86-755-27931864 Postcode: 518102
 E-Mail: ruite168@21cn.com Http://www.ruitelcd.com



MECHANICAL DATA

Item	Nominal Dimensions	Unit
Module Size(W×H×T)	147.0 × 116.0 × 17.0	mm
Viewing Area(W×H)	127.6 × 70.0	mm
Dot Pitch(W×H)	0.47 × 0.47	mm
Dot Size(W×H)	0.43 × 0.43	mm

ABSOLUTE MAXIMUM RATINGS

Item	Symbol	Min	Type	Max	Unit
Operating Voltage	VDD	4.5	5.0	5.5	V
Operating Current	IDD	1.6	2.5	3.5	uA
LED Voltage	V _{LED}	4.1	4.2	4.3	V
LED Current	I _{LED}	1700	2200	2700	mA
Operating Temp.	T _{opr}	-20	—	+70	
Storage Temp.	T _{sto}	-30	—	+80	

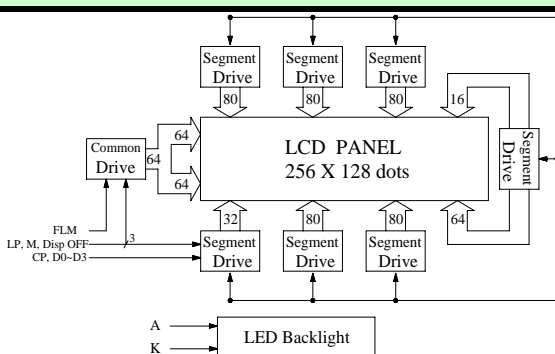
ELECTRICAL CHARACTERISTICS

Item	Symbol	Min	Type	Max	Unit
Input High Voltage	V _{IH}	0.8VDD	—	VDD	V
Input Low Voltage	V _{IL}	0	—	0.2VDD	V
Output High Voltage	V _{OH}	VDD-0.4	—	VDD	V
Output Low Voltage	V _{OL}	0	—	0.4	V

PIN CONNECTIONS (No Controller)

PIN	Symbol	Level	Function
1	VCC	—	Supply Voltage for Logic(+5V)
2	VSS	—	GND(0V)
3	VEE	—	Power Supply for LCD
4	LP	H/L	Data latch signal
5	M	H/L	Alternater for LCD driver
6	Disp OFF	H/L	H:Display ON; L:Display OFF
7	NC	—	NO Connect
8	FLM	H/L	Frame signal
9	CP	H/L	Clock pulse input
10	NC	—	NO Connect
11	D0	H/L	Display data input
12	D1	H/L	
13	D2	H/L	
14	D3	H/L	
15	A	—	Backlight Power (+4.2V)
16	K	—	Backlight Power (0V)

BLOCK DIAGRAM



POWER SUPPLY

