



# CONNOR-WINFIELD CORPORATION

AURORA, IL. 60505  
 PHONE (630) 851-4722  
 FAX (630) 851-5040

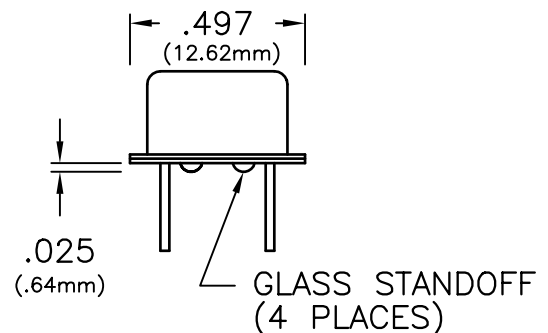
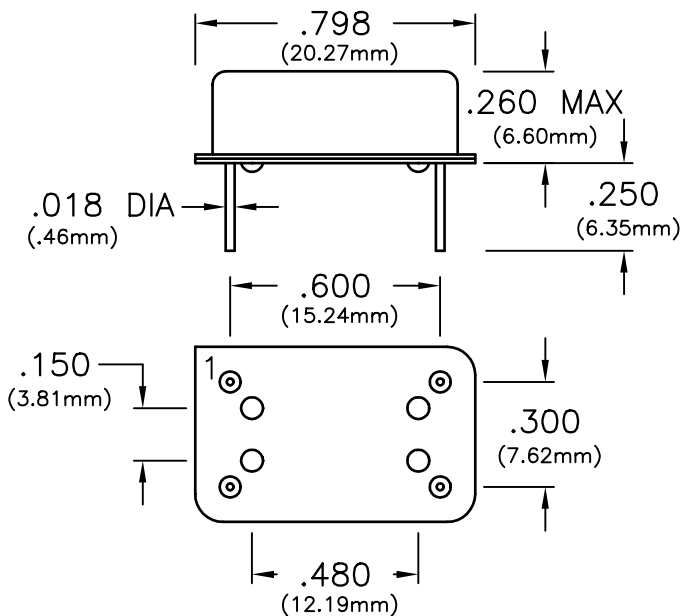
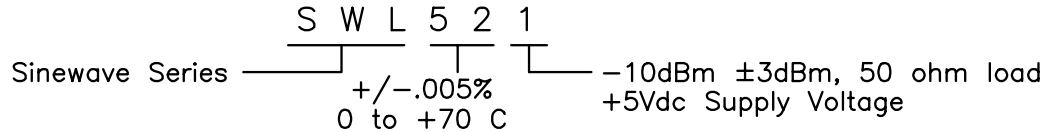
## OSCILLATORS

### 14 PIN DIP

### LOW FREQUENCY SINEWAVE

SPECIFICATIONS	SWL51*	SWL52*	SWL53*	SWL62*	SWL63*
Frequency Range	24MHz to 200MHz				
Frequency Tolerance	±.0025%	±.005%	±.01%	±.005%	±.01%
Temperature Range	0°C to +70°C	0°C to +70°C	0°C to +70°C	-40°C to +85°C	-40°C to +85°C
Output	Sinewave, AC Coupled T.H.D. <5%, 2% Typ				
* - (add suffix to model number)	1	-10dBm ±3dBm, 50 ohm Load, +5Vdc			
	2	-10dBm ±3dBm, 10K ohm Load, +5Vdc			
	3	0dBm ±3dBm, 50 ohm Load, +12Vdc			
	4	0dBm ±3dBm, 10K ohm Load, +12Vdc			
Supply Current	< 10mA Typical , 15mA Maximum				
Package	All metal, hermetically sealed, welded package				

EXAMPLE MODEL NUMBER:



PIN	CONNECTION
1	N/C
7	GROUND (CASE)
8	OUTPUT
14	(+) SUPPLY

Dimensional Tolerance ±.005

Specifications subject to change without notice

BULLETIN #: SW010  
 PAGE 1 OF 1

REV: 01  
 DATE: 5/16/95

ISSUED BY: \_\_\_\_\_