



# TSC103

## High-voltage, high-side current sense amplifier

### Features

- Independent supply and input common-mode voltages
- Wide common-mode operating range:  
2.9 to 70 V in single-supply configuration  
-2.1 to 65 V in dual-supply configuration
- Wide common-mode surviving range:  
-16 to 75 V (reversed battery and load-dump conditions)
- Supply voltage range:  
2.7 to 5.5 V in single-supply configuration
- Low current consumption:  $I_{CC}$  max = 360  $\mu$ A
- Pin selectable gain: 20 V/V, 25 V/V, 50 V/V or 100 V/V
- Buffered output

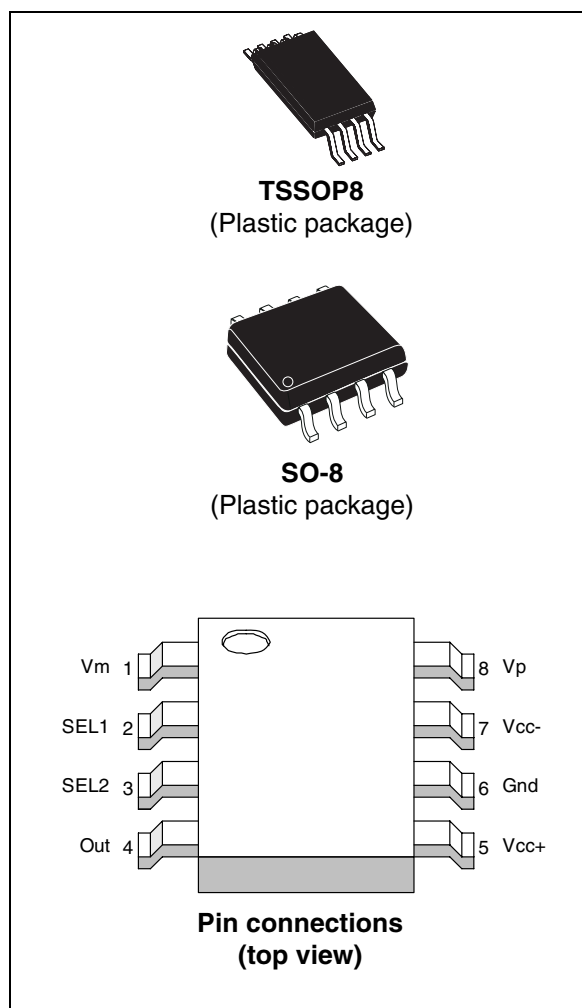
### Applications

- Automotive current monitoring
- DC motor control
- Photovoltaic systems
- Battery chargers
- Precision current sources
- Current monitoring of notebook computers
- Uninterruptible power supplies
- High-end power supplies

### Description

The TSC103 measures a small differential voltage on a high-side shunt resistor and translates it into a ground-referenced output voltage. The gain is adjustable to four different values from 20 V/V up to 100 V/V by two selection pins.

Wide input common-mode voltage range, low quiescent current, and tiny TSSOP8 packaging enable use in a wide variety of applications.



The input common-mode and power-supply voltages are independent. The common-mode voltage can range from 2.9 to 70 V in the single-supply configuration or be offset by an adjustable voltage supplied on the Vcc- pin in the dual-supply configuration.

With a current consumption lower than 360  $\mu$ A and a virtually null input leakage current in standby mode, the power consumption in the applications is minimized.

## Contents

<b>1</b>	<b>Application schematic and pin description</b> .....	<b>3</b>
<b>2</b>	<b>Absolute maximum ratings and operating conditions</b> .....	<b>6</b>
<b>3</b>	<b>Electrical characteristics</b> .....	<b>7</b>
<b>4</b>	<b>Parameter definitions</b> .....	<b>10</b>
4.1	Common mode rejection ratio (CMR) .....	10
4.2	Supply voltage rejection ratio (SVR) .....	10
4.3	Gain ( $A_v$ ) and input offset voltage ( $V_{os}$ ) .....	10
4.4	Output voltage drift versus temperature .....	12
4.5	Input offset drift versus temperature .....	13
4.6	Output voltage accuracy .....	13
<b>5</b>	<b>Maximum permissible voltages on pins</b> .....	<b>15</b>
<b>6</b>	<b>Application information</b> .....	<b>16</b>
<b>7</b>	<b>Package information</b> .....	<b>18</b>
7.1	SO-8 package information .....	19
7.2	TSSOP-8 package information .....	20
<b>8</b>	<b>Ordering information</b> .....	<b>21</b>
<b>9</b>	<b>Revision history</b> .....	<b>22</b>

# 1 Application schematic and pin description

The TSC103 high-side current sense amplifier can be used in either single- or dual-supply mode. In the single-supply configuration, the TSC103 features a wide 2.9 V to 70 V input common-mode range totally independent of the supply voltage. In the dual-supply range, the common-mode range is shifted by the value of the negative voltage applied on the Vcc- pin. For instance, with Vcc+ = 5 V and Vcc- = -5 V, then the input common-mode range is -2 V to 65 V.

**Figure 1. Single-supply configuration schematic**

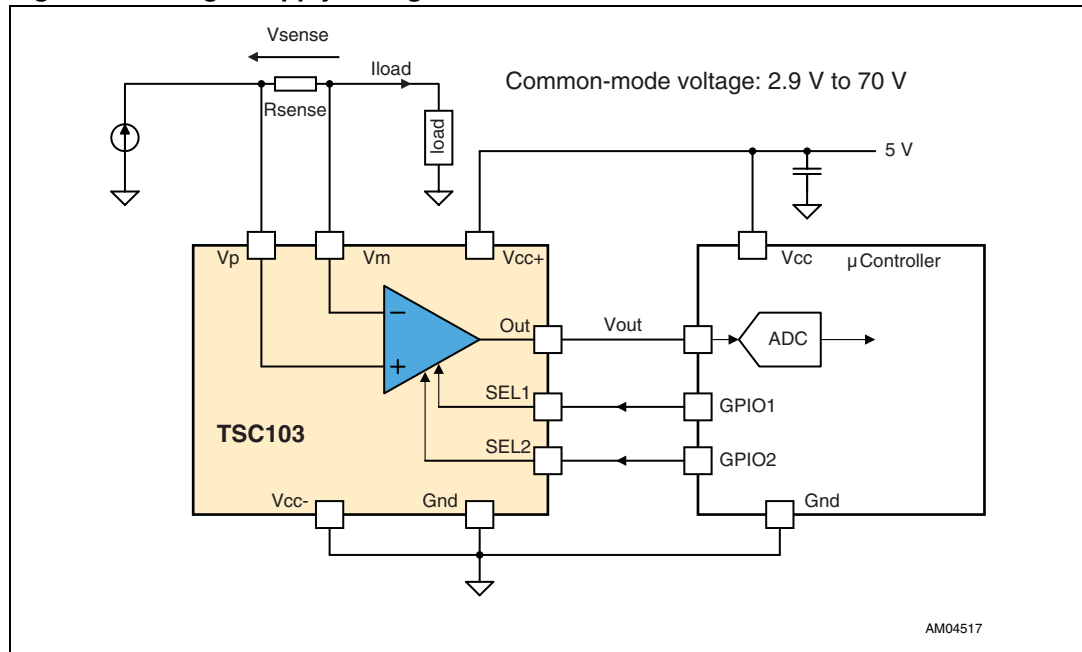
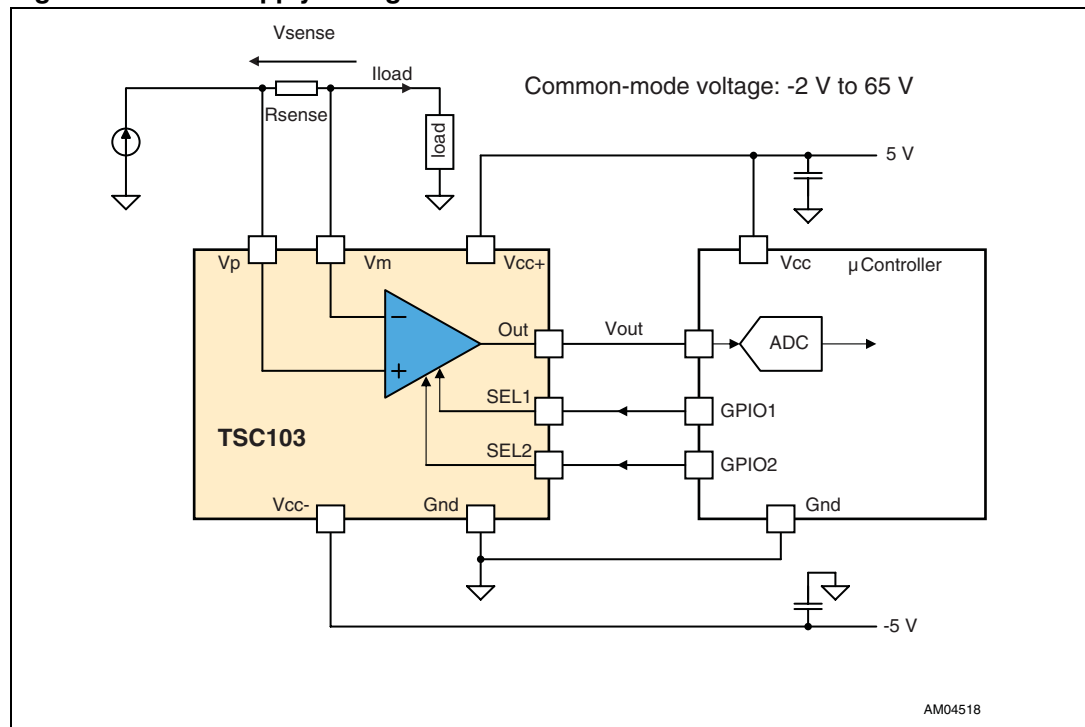


Figure 2. Dual-supply configuration schematic



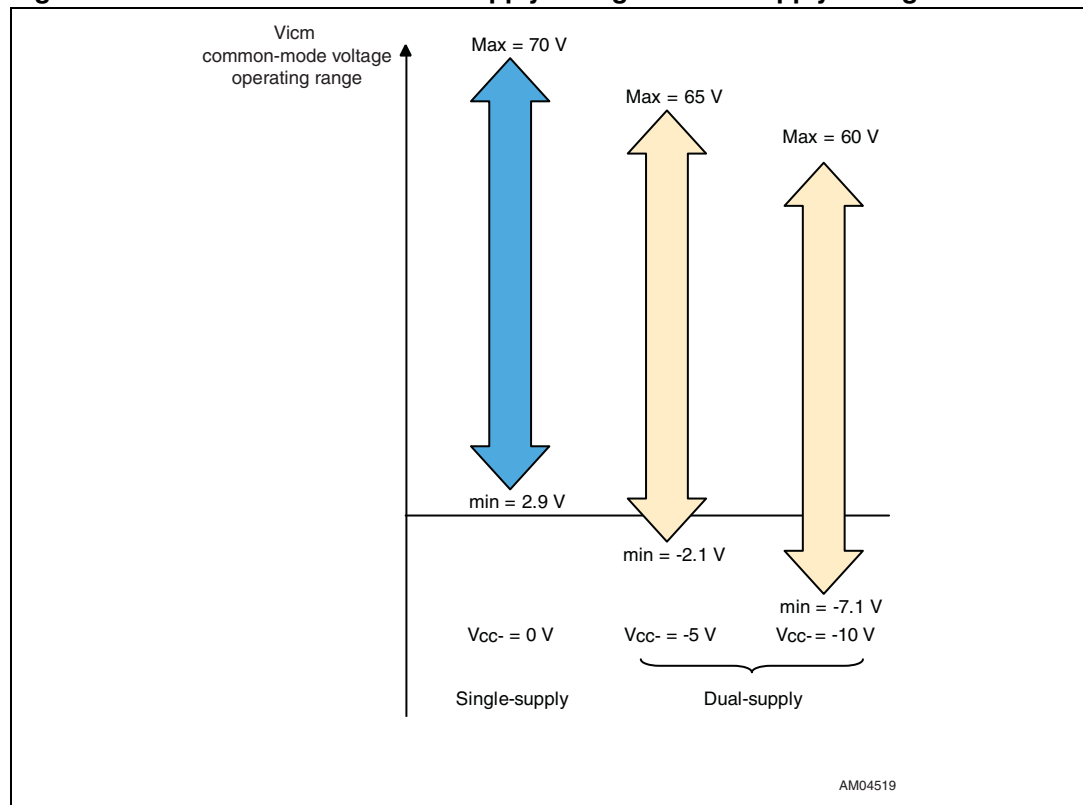
**Figure 3. Common-mode versus supply voltage in dual-supply configuration**

Table 1 describes the function of each pin. Their position is shown in the illustration on the cover page and in Figure 1 on page 3.

**Table 1. Pin description**

Symbol	Type	Function
Out	Analog output	The Out voltage is proportional to the magnitude of the sense voltage $V_p - V_m$ .
Gnd	Power supply	Ground line.
Vcc+	Power supply	Positive power supply line.
Vcc-	Power supply	Negative power supply line.
Vp	Analog input	Connection for the external sense resistor. The measured current enters the shunt on the $V_p$ side.
Vm	Analog input	Connection for the external sense resistor. The measured current exits the shunt on the $V_m$ side.
SEL1	Digital input	Gain-select pin.
SEL2	Digital input	Gain-select pin.

## 2 Absolute maximum ratings and operating conditions

**Table 2. Absolute maximum ratings**

Symbol	Parameter	Value	Unit
$V_{id}$	Input pins differential voltage ( $V_p - V_m$ )	$\pm 20$	V
$V_{in\_sense}$	Sensing pins input voltages ( $V_p, V_m$ ) <sup>(1)</sup>	-16 to 75	V
$V_{in\_sel}$	Gain selection pins input voltages (SEL1, SEL2) <sup>(2)</sup>	-0.3 to $V_{CC+} + 0.3$	V
$V_{CC+}$	Positive supply voltage <sup>(2)</sup>	-0.3 to 7	V
$V_{CC+} - V_{CC-}$	DC supply voltage	0 to 15	V
$V_{out}$	DC output pin voltage <sup>(2)</sup>	-0.3 to $V_{CC+} + 0.3$	V
$T_{stg}$	Storage temperature	-55 to 150	°C
$T_j$	Maximum junction temperature	150	°C
$R_{thja}$	TSSOP8 thermal resistance junction to ambient	120	°C/W
	SO-8 thermal resistance junction to ambient	125	°C/W
ESD	HBM: human body model <sup>(3)</sup>	2.5	kV
	MM: machine model <sup>(4)</sup>	150	V
	CDM: charged device model <sup>(5)</sup>	1.5	kV

1. These voltage values are measured with respect to the  $V_{CC-}$  pin.
2. These voltage values are measured with respect to the Gnd pin.
3. Human body model: a 100 pF capacitor is charged to the specified voltage, then discharged through a 1.5 k $\Omega$  resistor between two pins of the device. This is done for all couples of connected pin combinations while the other pins are floating.
4. Machine model: a 200 pF capacitor is charged to the specified voltage, then discharged directly between two pins of the device with no external series resistor (internal resistor < 5  $\Omega$ ). This is done for all couples of connected pin combinations while the other pins are floating.
5. Charged device model: all pins plus package are charged together to the specified voltage and then discharged directly to ground.

www.DataSheet4U.com

**Table 3. Operating conditions**

Symbol	Parameter	Value	Unit
$V_{CC+}$	Supply voltage in single-supply configuration from $T_{min}$ to $T_{max}$ ( $V_{CC-}$ connected to Gnd = 0 V)	2.7 to 5.5	V
$V_{CC-}$	Negative supply voltage in dual-supply configuration from $T_{min}$ to $T_{max}$ $V_{CC+} = 5.5$ V max	-8 to 0	V
	$V_{CC+} = 3$ V max	-11 to 0	V
$V_{icm}$	Common-mode voltage range referred to pin Vcc - ( $T_{min}$ to $T_{max}$ )	2.9 to 70	V
$T_{oper}$	Operational temperature range ( $T_{min}$ to $T_{max}$ )	-40 to 125	°C

### 3 Electrical characteristics

The electrical characteristics given in the following tables are measured under the following test conditions unless otherwise specified.

- $T_{amb} = 25^{\circ} \text{C}$ ,  $V_{CC+} = 5 \text{ V}$ ,  $V_{CC-}$  connected to Gnd (single-supply configuration).
- $V_{sense} = V_p - V_m = 50 \text{ mV}$ ,  $V_m = 12 \text{ V}$ , no load on Out, all gain configurations.

**Table 4. Supply**

Symbol	Parameter	Test conditions	Min.	Typ.	Max.	Unit
$I_{CC}$	Total supply current	$V_{sense} = 0 \text{ V}$ , $T_{min} < T_{amb} < T_{max}$		200	360	$\mu\text{A}$
$I_{CC1}$	Total supply current	$V_{sense} = 50 \text{ mV}$ $A_v = 50 \text{ V/V}$ $T_{min} < T_{amb} < T_{max}$		300	480	$\mu\text{A}$

**Table 5. Input**

Symbol	Parameter	Test conditions	Min.	Typ.	Max.	Unit
DC CMR	DC common-mode rejection Variation of $V_{out}$ versus $V_{icm}$ referred to input <sup>(1)</sup>	$2.9 \text{ V} < V_m < 70 \text{ V}$ $T_{min} < T_{amb} < T_{max}$	90	105		dB
AC CMR	AC common-mode rejection Variation of $V_{out}$ versus $V_{icm}$ referred to input (peak-to-peak voltage variation)	$A_v = 50 \text{ V/V}$ or $100 \text{ V/V}$ $2.9 \text{ V} < V_m < 30 \text{ V}$ 1 kHz sine wave		95		dB
SVR	Supply voltage rejection Variation of $V_{out}$ versus $V_{CC}$ <sup>(2)</sup> SEL1 = Gnd, SEL2 = Gnd	$2.7 \text{ V} < V_{CC} < 5.5 \text{ V}$ $V_{sense} = 30 \text{ mV}$ $T_{min} < T_{amb} < T_{max}$	85	100		dB
$V_{os}$	Input offset voltage <sup>(3)</sup>	$T_{amb} = 25^{\circ} \text{C}$ $T_{min} < T_{amb} < T_{max}$			$\pm 500$ $\pm 1100$	$\mu\text{V}$
$dV_{os}/dT$	Input offset drift vs. T	$A_v = 50 \text{ V/V}$ $T_{min} < T_{amb} < T_{max}$	-20		+5	$\mu\text{V}/^{\circ}\text{C}$
$I_{lk}$	Input leakage current	$V_{CC} = 0 \text{ V}$ $T_{min} < T_{amb} < T_{max}$			1	$\mu\text{A}$
$I_{ib}$	Input bias current	$V_{sense} = 0 \text{ V}$ $T_{min} < T_{amb} < T_{max}$		10	15	$\mu\text{A}$
$V_{IL}$	Logic low voltage threshold (SEL1 and SEL2)	$V_{CCmin} < V_{CC} < V_{CCmax}$ $T_{min} < T_{amb} < T_{max}$	-0.3		0.5	V
$V_{IH}$	Logic high voltage threshold (SEL1 and SEL2)	$V_{CCmin} < V_{CC} < V_{CCmax}$ $T_{min} < T_{amb} < T_{max}$	1.2		$V_{CC}$	V
$I_{sel}$	Gain-select pins (SEL1 and SEL2) input bias current	SEL pin connected to GND or $V_{CC}$ $T_{min} < T_{amb} < T_{max}$		400		nA

1. See [Chapter 4: Parameter definitions on page 10](#) for the definition of CMR.

2. See [Chapter 4](#) for the definition of SVR.

3. See [Chapter 4](#) for the definition of  $V_{os}$ .

## Electrical characteristics

## TSC103

Table 6. Output

Symbol	Parameter	Test conditions	Min.	Typ.	Max.	Unit
$A_v$	Gain	SEL1 = Gnd, SEL2 = Gnd SEL1 = Gnd, SEL2 = Vcc+ SEL1 = Vcc+, SEL2 = Gnd SEL1 = Vcc+, SEL2 = Vcc+		20 25 50 100		V/V
$\Delta V_{out}/\Delta T$	Output voltage drift vs. T <sup>(1)</sup>	$A_v = 50 \text{ V/V}$ $T_{min} < T_{amb} < T_{max}$			$\pm 240$	ppm/°C
$\Delta V_{out}/\Delta I_{out}$	Output stage load regulation	$-10 \text{ mA} < I_{out} < 10 \text{ mA}$ $I_{out}$ sink or source current $A_v = 50 \text{ V/V}$		0.3	$\pm 1.5$	mV/mA
$\Delta V_{out}$	Total output voltage accuracy <sup>(2)</sup>	$V_{sense} = 50 \text{ mV}^{(3)}$ $T_{amb} = 25^\circ \text{C}$ $T_{min} < T_{amb} < T_{max}$			$\pm 2.5$ $\pm 4$	%
$\Delta V_{out}$	Total output voltage accuracy	$V_{sense} = 90 \text{ mV}^{(3)}$ $T_{amb} = 25^\circ \text{C}$ $T_{min} < T_{amb} < T_{max}$			$\pm 3.5$ $\pm 5$	%
$\Delta V_{out}$	Total output voltage accuracy	$V_{sense} = 20 \text{ mV}$ $T_{amb} = 25^\circ \text{C}$ $T_{min} < T_{amb} < T_{max}$			$\pm 3.5$ $\pm 5$	%
$\Delta V_{out}$	Total output voltage accuracy	$V_{sense} = 10 \text{ mV}$ $T_{amb} = 25^\circ \text{C}$ $T_{min} < T_{amb} < T_{max}$			$\pm 5.5$ $\pm 8$	%
$\Delta V_{out}$	Total output voltage accuracy	$V_{sense} = 5 \text{ mV}$ $T_{amb} = 25^\circ \text{C}$ $T_{min} < T_{amb} < T_{max}$			$\pm 10$ $\pm 22$	%
$I_{sc}$	Short-circuit current	OUT connected to V <sub>CC</sub> or GND	15	26		mA
$V_{OH}$	Output stage high-state saturation voltage $V_{OH} = V_{CC} - V_{out}$	$V_{sense} = 1 \text{ V}$ $I_{out} = 1 \text{ mA}$		85	135	mV
$V_{OL}$	Output stage low-state saturation voltage	$V_{sense} = -1 \text{ V}$ $I_{out} = 1 \text{ mA}$		80	125	mV

www.DataSheet4U.com

- See [Chapter 4: Parameter definitions on page 10](#) for the definition of output voltage drift versus temperature.
- Output voltage accuracy is the difference with the expected theoretical output voltage  $V_{out-th} = A_v \cdot V_{sense}$ . See [Chapter 4](#) for a more detailed definition.
- Except for  $A_v = 100 \text{ V/V}$ .



## TSC103

## Electrical characteristics

Table 7. Frequency response

Symbol	Parameter	Test conditions	Min.	Typ.	Max.	Unit
ts	Response to input differential voltage change. Output settling to 1% of final value	V <sub>sense</sub> square pulse applied to generate a variation of V <sub>out</sub> from 500 mV to 3 V C <sub>load</sub> = 47 pF				
		Av = 20 V/V,		3		μs
		Av = 25 V/V		4		μs
		Av = 50 V/V		6		
		Av = 100 V/V		10		μs
t <sub>SEL</sub>	Response to a gain change. Output settling to 1% of final value	Any change of state of SEL1 or SEL2 pin		1		μs
t <sub>rec</sub>	Response to common-mode voltage change. Output settling to 1% of final value	V <sub>CC+</sub> = 5 V, V <sub>CC-</sub> = -5 V V <sub>m</sub> step change from -2 V to 30 V or 30 V to -2 V		20		μs
SR	Slew rate	V <sub>sense</sub> = 10 mV to 100 mV	0.4	0.6		V/μs
BW	3 dB bandwidth	C <sub>load</sub> = 47 pF V <sub>m</sub> = 12 V V <sub>sense</sub> = 50 mV Av = 50 V/V		700		kHz

Table 8. Noise

Symbol	Parameter	Test conditions	Min.	Typ.	Max.	Unit
e <sub>N</sub>	Equivalent input noise voltage	f = 1 kHz		40		nV/√Hz

## 4 Parameter definitions

### 4.1 Common mode rejection ratio (CMR)

The common-mode rejection ratio (CMR) measures the ability of the current-sensing amplifier to reject any DC voltage applied on both inputs  $V_p$  and  $V_m$ . The CMR is referred back to the input so that its effect can be compared with the applied differential signal. The CMR is defined by the formula:

$$\text{CMR} = -20 \cdot \log \frac{\Delta V_{\text{out}}}{\Delta V_{\text{icm}} \cdot A_v}$$

### 4.2 Supply voltage rejection ratio (SVR)

The supply-voltage rejection ratio (SVR) measures the ability of the current-sensing amplifier to reject any variation of the supply voltage  $V_{CC}$ . The SVR is referred back to the input so that its effect can be compared with the applied differential signal. The SVR is defined by the formula:

$$\text{SVR} = -20 \cdot \log \frac{\Delta V_{\text{out}}}{\Delta V_{CC} \cdot A_v}$$

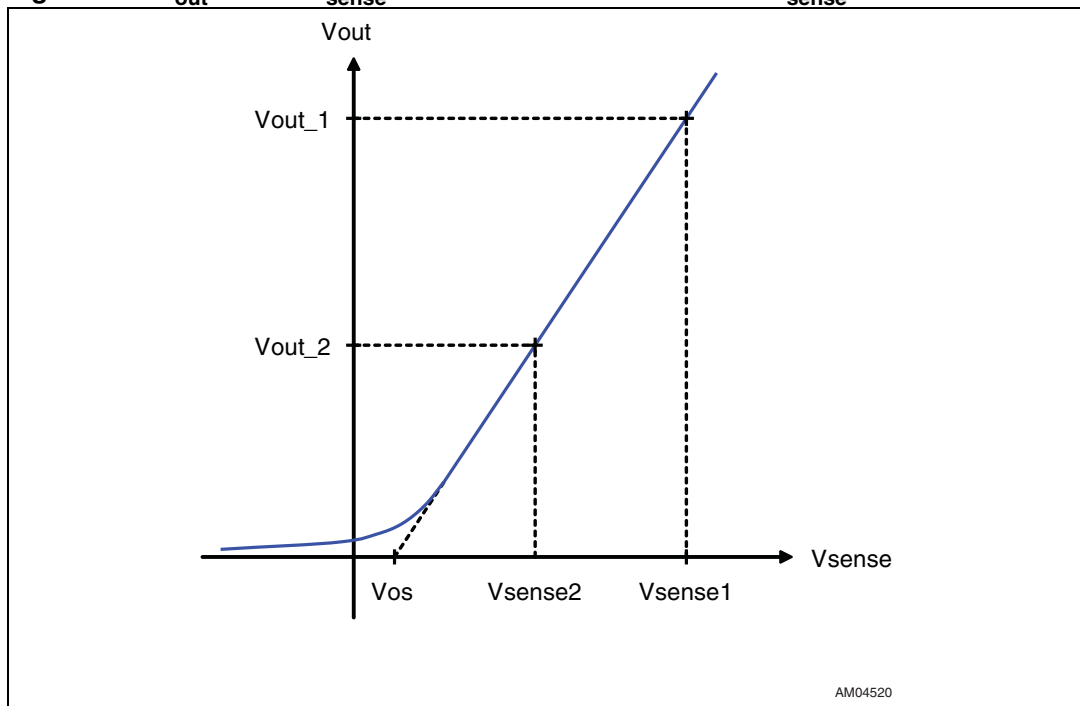
### 4.3 Gain ( $A_v$ ) and input offset voltage ( $V_{os}$ )

The input offset voltage is defined as the intersection between the linear regression of the  $V_{\text{out}}$  vs.  $V_{\text{sense}}$  curve with the X-axis (see [Figure 4](#)). If  $V_{\text{out1}}$  is the output voltage with  $V_{\text{sense}} = V_{\text{sense1}}$  and  $V_{\text{out2}}$  is the output voltage with  $V_{\text{sense}} = V_{\text{sense2}}$ , then  $V_{os}$  can be calculated with the following formula.

www.DataSheet4U.com

$$V_{os} = V_{\text{sense1}} - \left( \frac{V_{\text{sense1}} - V_{\text{sense2}}}{V_{\text{out1}} - V_{\text{out2}}} \cdot V_{\text{out1}} \right)$$

Figure 4.  $V_{out}$  versus  $V_{sense}$  characteristics: detail for low  $V_{sense}$  values



The values of  $V_{sense1}$  and  $V_{sense2}$  used for the input offset calculations are detailed in [Table 9](#).

Table 9. Test conditions for  $V_{os}$  voltage calculation

$A_v$ (V/V)	$V_{sense1}$ (mV)	$V_{sense2}$ (mV)
20	50	5
25	50	5
50	50	5
100	40	5

## 4.4 Output voltage drift versus temperature

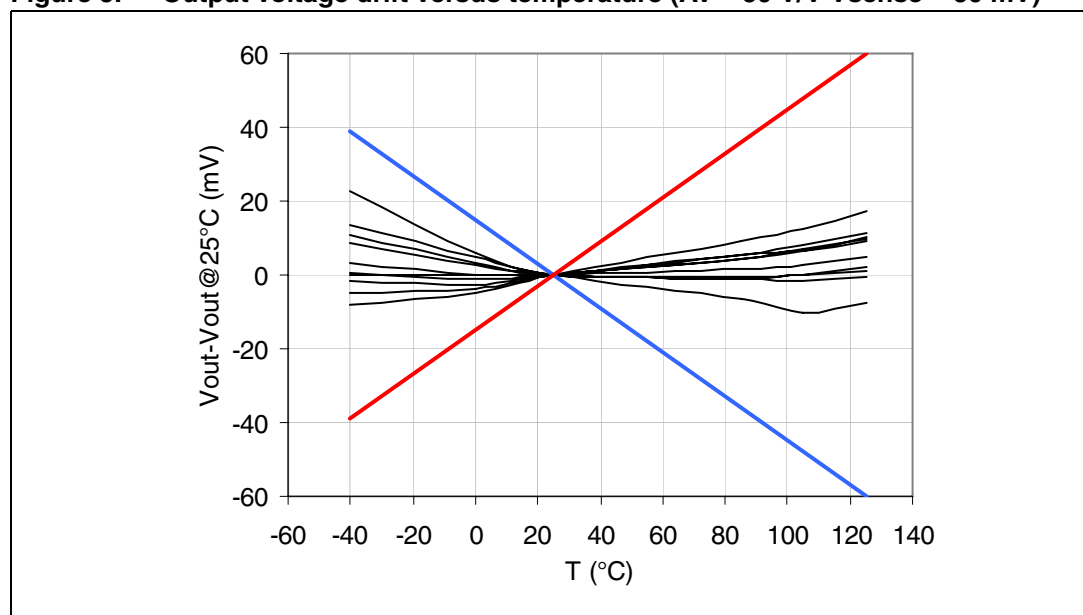
The output voltage drift versus temperature is defined as the maximum variation of  $V_{out}$  with respect to its value at 25° C over the temperature range. It is calculated as follows:

$$\frac{\Delta V_{out}}{\Delta T} = \max \frac{V_{out}(T_{amb}) - V_{out}(25^{\circ}C)}{T_{amb} - 25^{\circ}C}$$

with  $T_{min} < T_{amb} < T_{max}$ .

*Figure 5* provides a graphical definition of the output voltage drift versus temperature. On this chart  $V_{out}$  is always comprised in the area defined by the maximum and minimum variation of  $V_{out}$  versus  $T$ , and  $T = 25^{\circ}C$  is considered to be the reference.

**Figure 5. Output voltage drift versus temperature ( $A_v = 50 V/V$   $V_{sense} = 50 mV$ )**



## 4.5 Input offset drift versus temperature

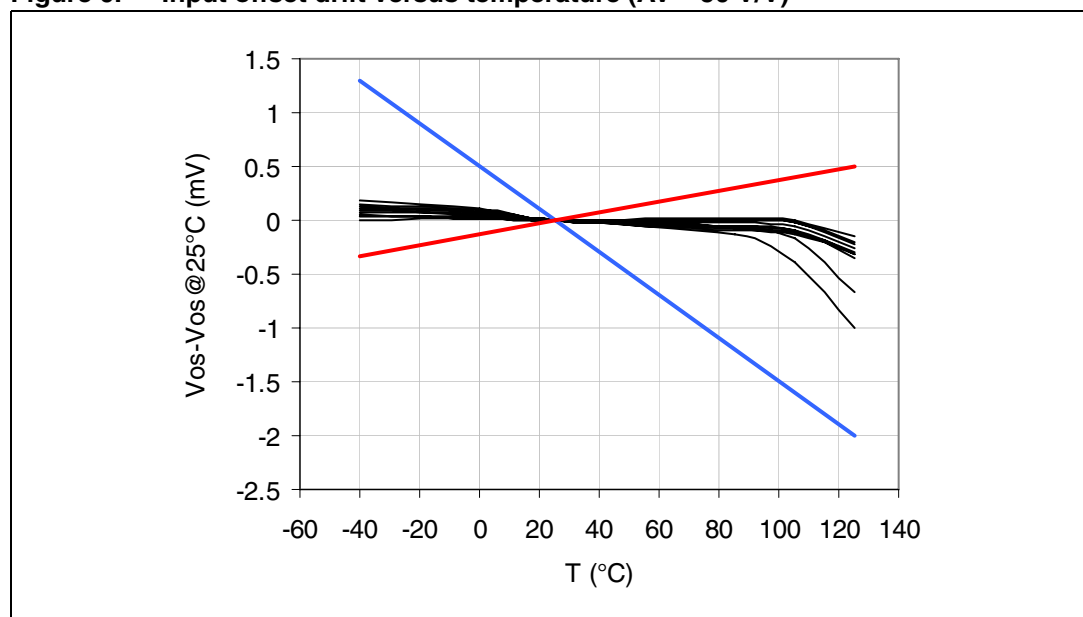
The input voltage drift versus temperature is defined as the maximum variation of  $V_{os}$  with respect to its value at 25° C over the temperature range. It is calculated as follows:

$$\frac{\Delta V_{os}}{\Delta T} = \max \frac{V_{os}(T_{amb}) - V_{os}(25^{\circ}C)}{T_{amb} - 25^{\circ}C}$$

with  $T_{min} < T_{amb} < T_{max}$ .

*Figure 6.* provides a graphical definition of the input offset drift versus temperature. On this chart  $V_{os}$  is always comprised in the area defined by the maximum and minimum variation of  $V_{os}$  versus  $T$ , and  $T = 25^{\circ}C$  is considered to be the reference.

**Figure 6. Input offset drift versus temperature ( $A_v = 50 V/V$ )**



www.DataSheet4U.com

## 4.6 Output voltage accuracy

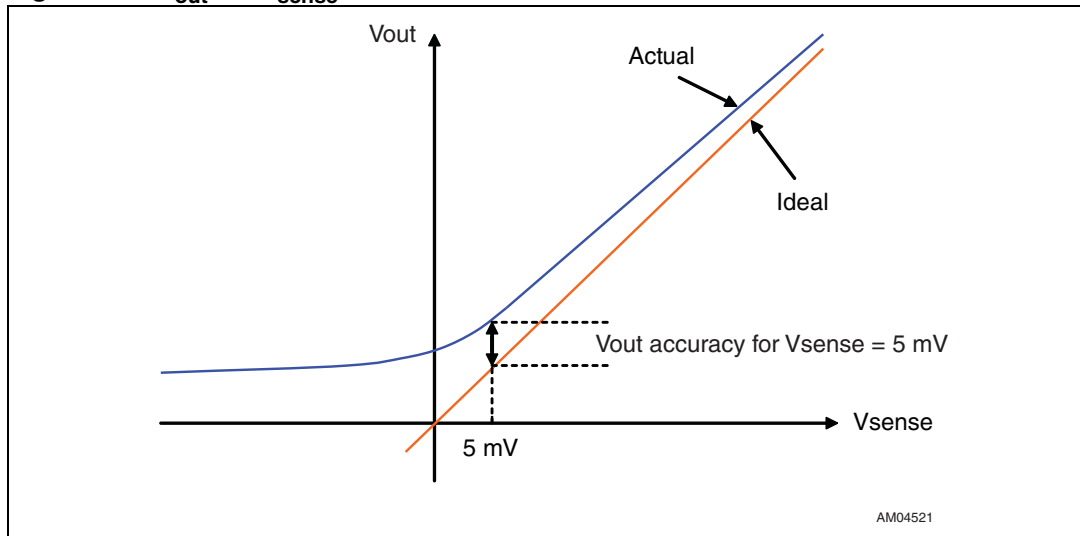
The output voltage accuracy is the difference between the actual output voltage and the theoretical output voltage. Ideally, the current sensing output voltage should be equal to the input differential voltage multiplied by the theoretical gain, as in the following formula.

$$V_{out-th} = A_v \cdot V_{sense}$$

The actual value is very slightly different, mainly due to the effects of:

- the input offset voltage  $V_{os}$ ,
- the non-linearity.

**Figure 7.  $V_{out}$  vs.  $V_{sense}$  theoretical and actual characteristics**



The output voltage accuracy, expressed as a percentage, can be calculated with the following formula,

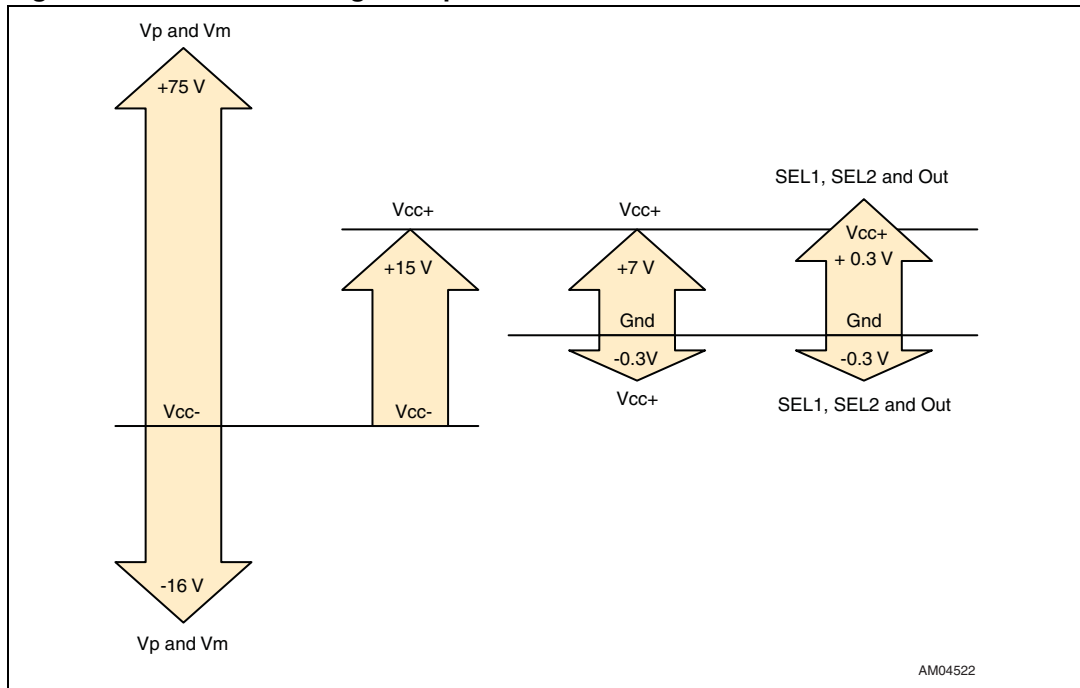
$$\Delta V_{out} = \frac{\text{abs}(V_{out} - (A_v \cdot V_{sense}))}{A_v \cdot V_{sense}}$$

with 20 V/V, 25 V/V, 50 V/V or 100 V/V depending on the configuration of the SEL1 and SEL2 pins.

## 5 Maximum permissible voltages on pins

The TSC103 can be used in either single- or dual-supply configuration. The dual-supply configuration is achieved by disconnecting  $V_{cc-}$  and Gnd, and connecting  $V_{cc-}$  to a negative supply. *Figure 8* illustrates how the absolute maximum voltages on input pins  $V_p$  and  $V_m$  are referred to the  $V_{cc-}$  potential, while the maximum voltages on the positive supply pin, gain selection pins and output pins are referred to the Gnd pin. It should also be noted that the maximum voltage between  $V_{cc-}$  and  $V_{cc+}$  is limited to 15 V.

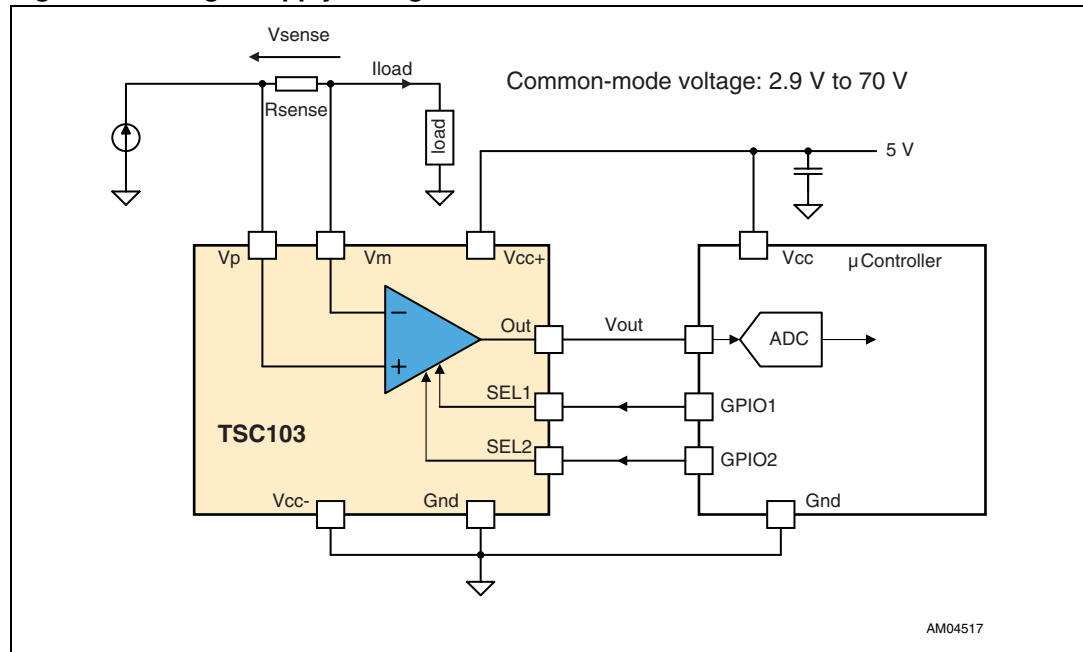
**Figure 8. Maximum voltages on pins**



## 6 Application information

The TSC103 can be used to measure current and to feed back the information to a microcontroller.

**Figure 9. Single-supply configuration schematic**



The current from the supply flows to the load through the  $R_{sense}$  resistor causing a voltage drop equal to  $V_{sense}$  across  $R_{sense}$ . The amplifier's input currents are negligible, therefore its inverting input voltage is equal to  $V_m$ . The amplifier's open-loop gain forces its non-inverting input to the same voltage as the inverting input. As a consequence, the amplifier adjusts current flowing through  $R_{g1}$  so that the voltage drop across  $R_{g1}$  matches  $V_{sense}$  exactly.

Therefore, the drop across  $R_{g1}$  is:

$$V_{R_{g1}} = V_{sense} = R_{sense} \cdot I_{load}$$

If  $I_{R_{g1}}$  is the current flowing through  $R_{g1}$ , then  $I_{R_{g1}}$  is given by the formula:

$$I_{R_{g1}} = V_{sense} / R_{g1}$$

The  $I_{R_{g1}}$  current flows entirely into resistor  $R_{g3}$  (the input bias current of the buffer is negligible). Therefore, the voltage drop on the  $R_{g3}$  resistor can be calculated as follows.

$$V_{R_{g3}} = R_{g3} \cdot I_{R_{g1}} = (R_{g3} / R_{g1}) \cdot V_{sense}$$

Since the voltage across the  $R_{g3}$  resistor is buffered to the Out pin,  $V_{out}$  can be expressed as:

$$V_{out} = (R_{g3} / R_{g1}) \cdot V_{sense}$$

or:

$$V_{out} = (R_{g3} / R_{g1}) \cdot R_{sense} \cdot I_{load}$$



The resistor ratio  $R_{g3}/R_{g1}$  is internally set to 20 V/V for TSC103A, to 50 V/V for TSC103B and to 100 V/V for TSC103C.

Since they define the full-scale output range of the application, the  $R_{sense}$  resistor and the  $R_{g3}/R_{g1}$  resistor ratio (equal to  $A_v$ ) are important parameters and must therefore be selected carefully.

## 7 Package information

In order to meet environmental requirements, ST offers these devices in different grades of ECOPACK<sup>®</sup> packages, depending on their level of environmental compliance. ECOPACK<sup>®</sup> specifications, grade definitions and product status are available at: [www.st.com](http://www.st.com). ECOPACK<sup>®</sup> is an ST trademark.

## 7.1 SO-8 package information

Figure 10. SO-8 package mechanical drawing

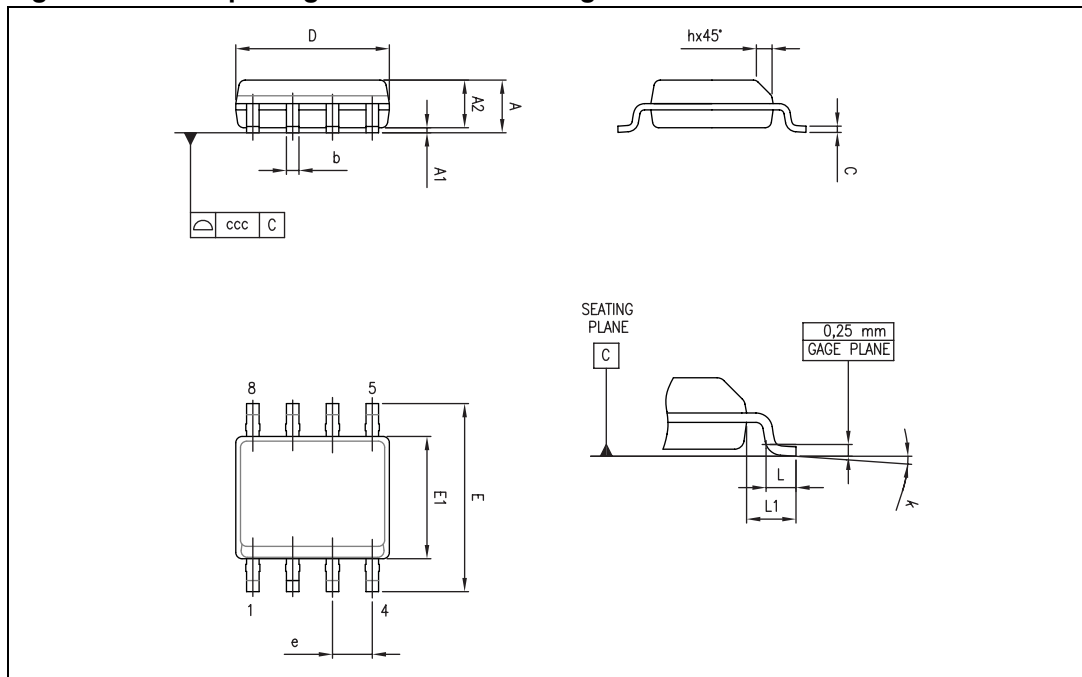


Table 10. SO-8 package mechanical data

Ref.	Dimensions					
	Millimeters			Inches		
	Min.	Typ.	Max.	Min.	Typ.	Max.
A			1.75			0.069
A1	0.10		0.25	0.004		0.010
A2	1.25			0.049		
b	0.28		0.48	0.011		0.019
c	0.17		0.23	0.007		0.010
D	4.80	4.90	5.00	0.189	0.193	0.197
E	5.80	6.00	6.20	0.228	0.236	0.244
E1	3.80	3.90	4.00	0.150	0.154	0.157
e		1.27			0.050	
h	0.25		0.50	0.010		0.020
L	0.40		1.27	0.016		0.050
L1		1.04			0.040	
k	0		8°	1°		8°
ccc			0.10			0.004

## 7.2 TSSOP-8 package information

Figure 11. TSSOP8 package mechanical drawing

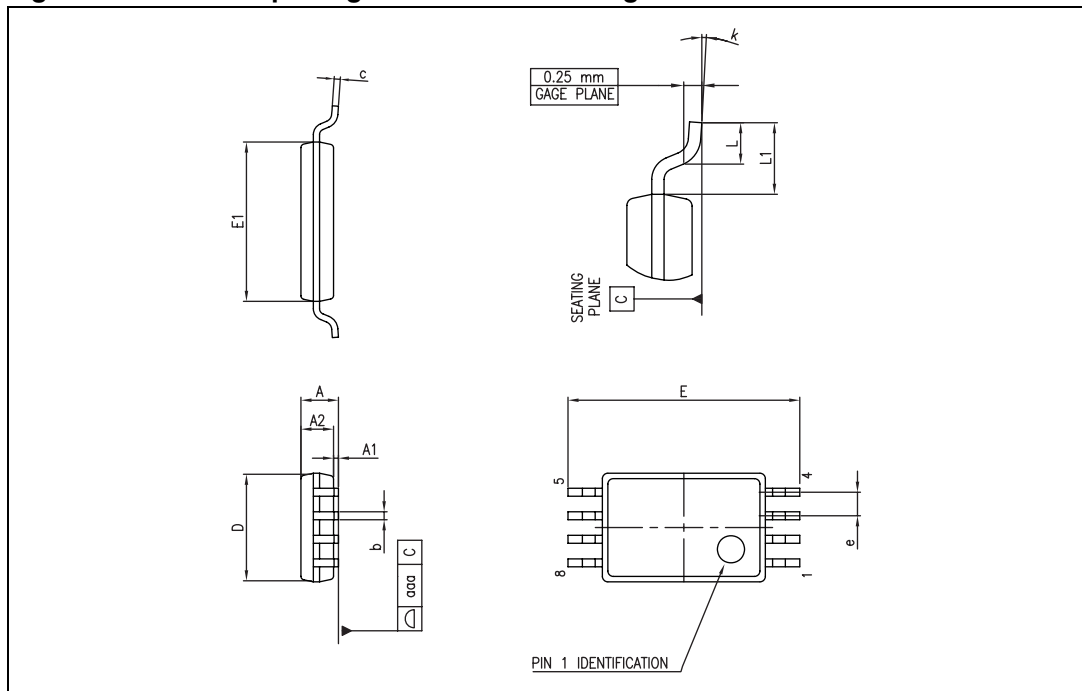


Table 11. TSSOP8 package mechanical data

Ref.	Dimensions					
	Millimeters			Inches		
	Min.	Typ.	Max.	Min.	Typ.	Max.
A			1.20			0.047
A1	0.05		0.15	0.002		0.006
A2	0.80	1.00	1.05	0.031	0.039	0.041
b	0.19		0.30	0.007		0.012
c	0.09		0.20	0.004		0.008
D	2.90	3.00	3.10	0.114	0.118	0.122
E	6.20	6.40	6.60	0.244	0.252	0.260
E1	4.30	4.40	4.50	0.169	0.173	0.177
e		0.65			0.0256	
k	0°		8°	0°		8°
L	0.45	0.60	0.75	0.018	0.024	0.030
L1		1			0.039	
aaa			0.10			0.004

## 8 Ordering information

**Table 12. Order codes**

Part number	Temperature range	Package	Packaging	Marking
TSC103IPT	-40° C, +125° C	TSSOP8	Tape & reel	103I
TSC103IDT		SO-8	Tape & reel	TSC103I
TSC103IYPT <sup>(1)</sup>	-40° C, +125° C Automotive grade	TSSOP8	Tape & reel	103Y
TSC103IYDT		SO-8	Tape & reel	TSC103Y

1. Qualification and characterization according to AEC Q100 and Q003 or equivalent, advanced screening according to AEC Q001 & Q002 or equivalent are on-going.

## 9 Revision history

**Table 13. Document revision history**

Date	Revision	Changes
04-Jan-2010	1	Initial release.

**TSC103**

---

**Please Read Carefully:**

Information in this document is provided solely in connection with ST products. STMicroelectronics NV and its subsidiaries ("ST") reserve the right to make changes, corrections, modifications or improvements, to this document, and the products and services described herein at any time, without notice.

All ST products are sold pursuant to ST's terms and conditions of sale.

Purchasers are solely responsible for the choice, selection and use of the ST products and services described herein, and ST assumes no liability whatsoever relating to the choice, selection or use of the ST products and services described herein.

No license, express or implied, by estoppel or otherwise, to any intellectual property rights is granted under this document. If any part of this document refers to any third party products or services it shall not be deemed a license grant by ST for the use of such third party products or services, or any intellectual property contained therein or considered as a warranty covering the use in any manner whatsoever of such third party products or services or any intellectual property contained therein.

**UNLESS OTHERWISE SET FORTH IN ST'S TERMS AND CONDITIONS OF SALE ST DISCLAIMS ANY EXPRESS OR IMPLIED WARRANTY WITH RESPECT TO THE USE AND/OR SALE OF ST PRODUCTS INCLUDING WITHOUT LIMITATION IMPLIED WARRANTIES OF MERCHANTABILITY, FITNESS FOR A PARTICULAR PURPOSE (AND THEIR EQUIVALENTS UNDER THE LAWS OF ANY JURISDICTION), OR INFRINGEMENT OF ANY PATENT, COPYRIGHT OR OTHER INTELLECTUAL PROPERTY RIGHT.**

**UNLESS EXPRESSLY APPROVED IN WRITING BY AN AUTHORIZED ST REPRESENTATIVE, ST PRODUCTS ARE NOT RECOMMENDED, AUTHORIZED OR WARRANTED FOR USE IN MILITARY, AIR CRAFT, SPACE, LIFE SAVING, OR LIFE SUSTAINING APPLICATIONS, NOR IN PRODUCTS OR SYSTEMS WHERE FAILURE OR MALFUNCTION MAY RESULT IN PERSONAL INJURY, DEATH, OR SEVERE PROPERTY OR ENVIRONMENTAL DAMAGE. ST PRODUCTS WHICH ARE NOT SPECIFIED AS "AUTOMOTIVE GRADE" MAY ONLY BE USED IN AUTOMOTIVE APPLICATIONS AT USER'S OWN RISK.**

[www.DataSheet4U.com](http://www.DataSheet4U.com)

Resale of ST products with provisions different from the statements and/or technical features set forth in this document shall immediately void any warranty granted by ST for the ST product or service described herein and shall not create or extend in any manner whatsoever, any liability of ST.

ST and the ST logo are trademarks or registered trademarks of ST in various countries.

Information in this document supersedes and replaces all information previously supplied.

The ST logo is a registered trademark of STMicroelectronics. All other names are the property of their respective owners.

© 2010 STMicroelectronics - All rights reserved

STMicroelectronics group of companies

Australia - Belgium - Brazil - Canada - China - Czech Republic - Finland - France - Germany - Hong Kong - India - Israel - Italy - Japan - Malaysia - Malta - Morocco - Philippines - Singapore - Spain - Sweden - Switzerland - United Kingdom - United States of America

[www.st.com](http://www.st.com)

