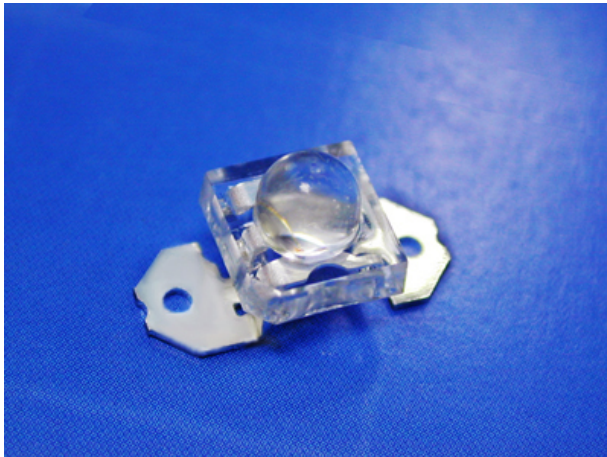


PRELIMINARY SPEC

Part Number: WP7700C4QBC/D



### Features:

- \*HIGH LUMINANCE OUTPUT.
- \*DESIGN FOR HIGH CURRENT OPERATION.
- \*SOLDERLESS MOUNTING TECHNIQUE.
- \*LOW POWER CONSUMPTION.
- \*LOW THERMAL RESISTANCE.
- \*LOW PROFILE.
- \*PACKAGE IN TUBES FOR USE WITH AUTOMATIC INSERTION EQUIPMENT.
- \*RoHS COMPLIANT.

## Technical Data



**ATTENTION**  
OBSERVE PRECAUTIONS  
FOR HANDLING  
ELECTROSTATIC  
DISCHARGE  
SENSITIVE  
DEVICES

### Description

Static electricity and surge damage the LEDs. It is recommended to use a wrist band or anti-electrostatic glove when handling the LEDs.

All devices, equipment and machinery must be electrically grounded.

### Benefits:

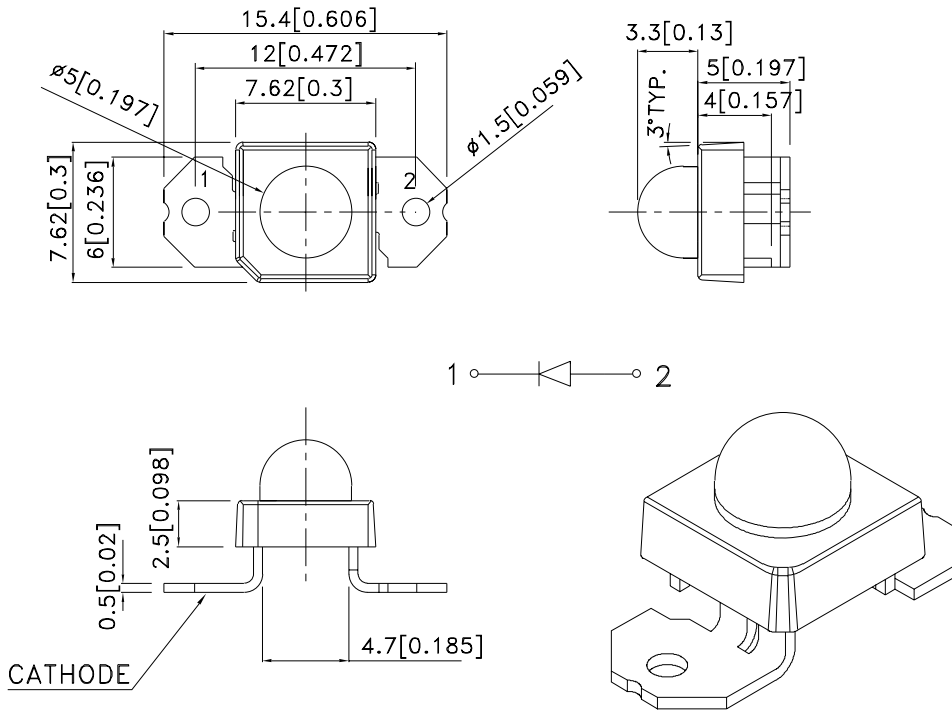
- \*Rugged Lighting Products.
- \*Electricity savings.
- \*Maintenance savings.
- \*Environmental Conformance.

### Typical Applications:

- \*Automotive Exterior Lighting.
- \*Solid State Lighting and Signaling.

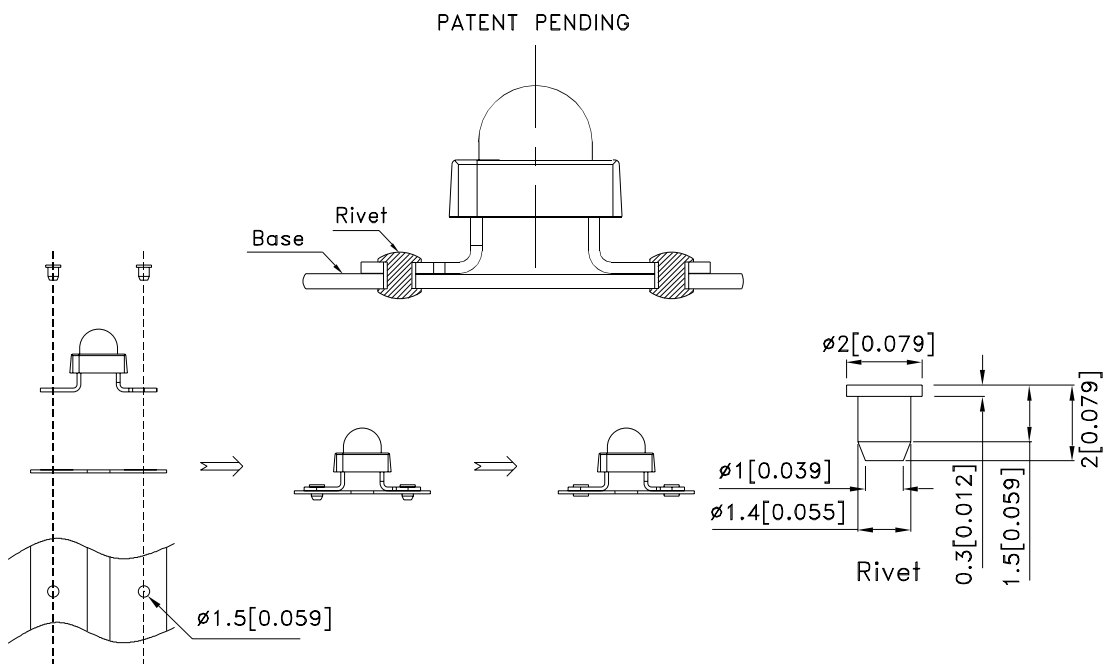


## Outline Drawings



**Notes:**

1. All dimensions are in millimeters (inches).
2. Tolerance is  $\pm 0.25(0.01)$  unless otherwise noted.
3. Lead spacing is measured where the leads emerge from the package.
4. Specifications are subject to change without notice.



## Absolute Maximum Ratings at TA=25°C

PARAMETER	QB/D	UNITS
DC Forward Current	30	mA
Power dissipation	126	mW
Reverse Voltage	5	V
Operating Temperature	-40 To +85	°C
Storage Temperature	-55 To +85	°C

## Selection Guide

Part No.	LED COLOR	Iv(cd)[1] @30mA		Viewing Angle[2]
		Min.	Typ.	2θ1/2 Typ.
WP7700C4QBC/D	Blue (AlInGaN)	1.5	2.2	30°

Notes:

- Luminous intensity is measured with an integrating sphere after the device has stabilized; Luminous Intensity / luminous flux: +/-15%.
- θ1/2 is the angle from optical centerline where the luminous intensity is 1/2 the optical centerline value.

## Optical Characteristics at TA=25°C If=30mA Rθj-a=200°C/W

DEVICE TYPE	PEAK WAVELENGTH λPEAK (nm) TYP.	DOMINANT[1] WAVELENGTH λDOM (nm) TYP.	SPECTRAL LINE WAVELENGTH Δλ1/2(nm) TYP.
QB/D	468	470	25

Note:

- The dominant wavelength is derived from the CIE Chromaticity Diagram and represents the perceived color of the device; Wavelength: +/-1nm.

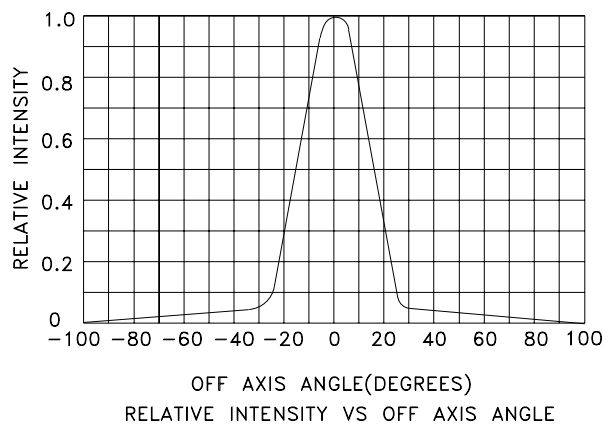
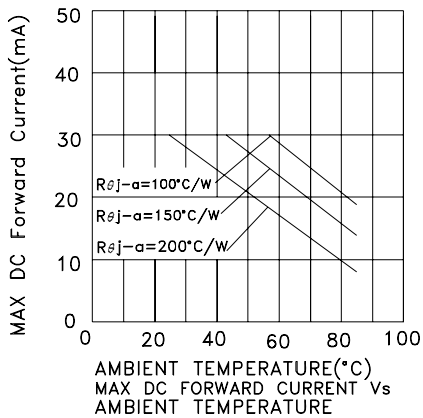
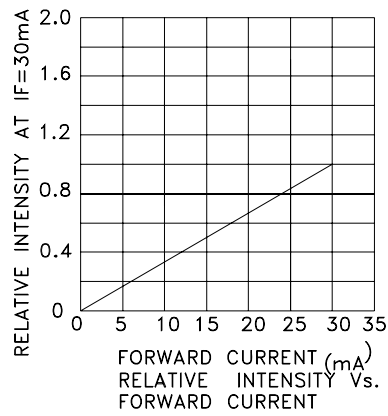
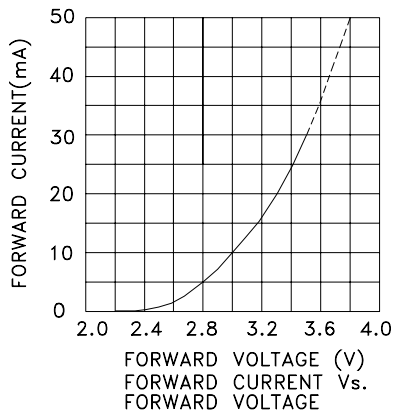
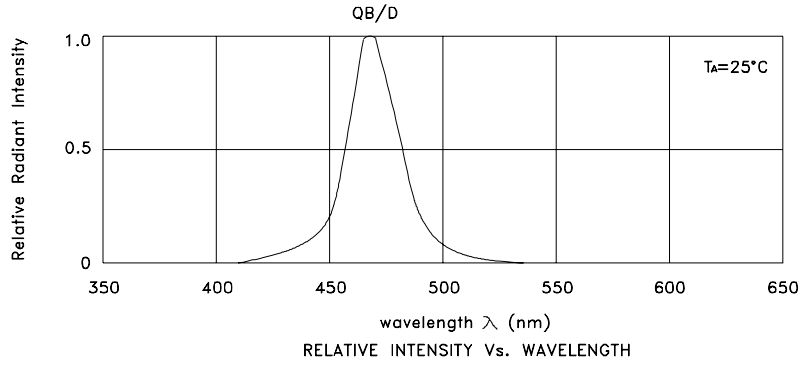
## Electrical Characteristics at TA=25°C

DEVICE TYPE	FORWARD VOLTAGE [1] VF (VOLTS) @ If=30mA		REVERSE CURRENT IR (uA) @ VR=5V	CAPACITANCE C (pF) @ VF=0V F=1MHZ	THERMAL RESISTANCE Rθj -pin °C/W
	TYP.	MAX.	MAX.	TYP.	TYP.
QB/D	3.5	4.2	10	100	180

Note:

- Forward Voltage: +/-0.1V.

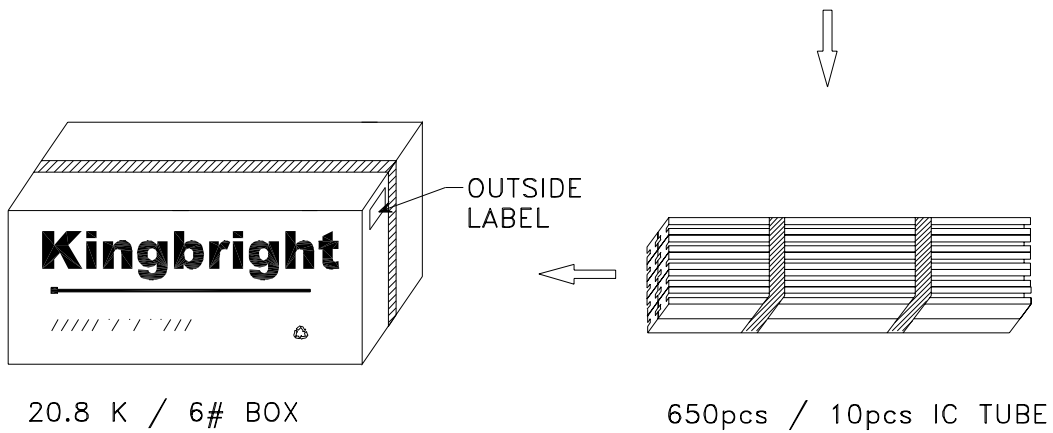
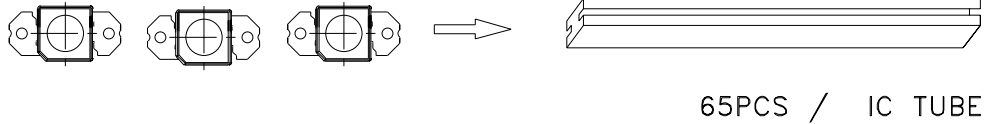
## Figures



# Kingbright

## PACKING & LABEL SPECIFICATIONS

WP7700C4QBC/D



<h1>Kingbright</h1>				
Q.C.	<table border="1"> <tr> <td>QC</td> </tr> <tr> <td>xxx xx. xxxx</td> </tr> <tr> <td>PASSED</td> </tr> </table>	QC	xxx xx. xxxx	PASSED
QC				
xxx xx. xxxx				
PASSED				
TYPE NO : WP7700C4XXX				
QUANTITY : 650 pcs				
S/N : XXX	CODE: XXXX			
LOT NO: 				
MADE IN CHINA	RoHS Compliant			