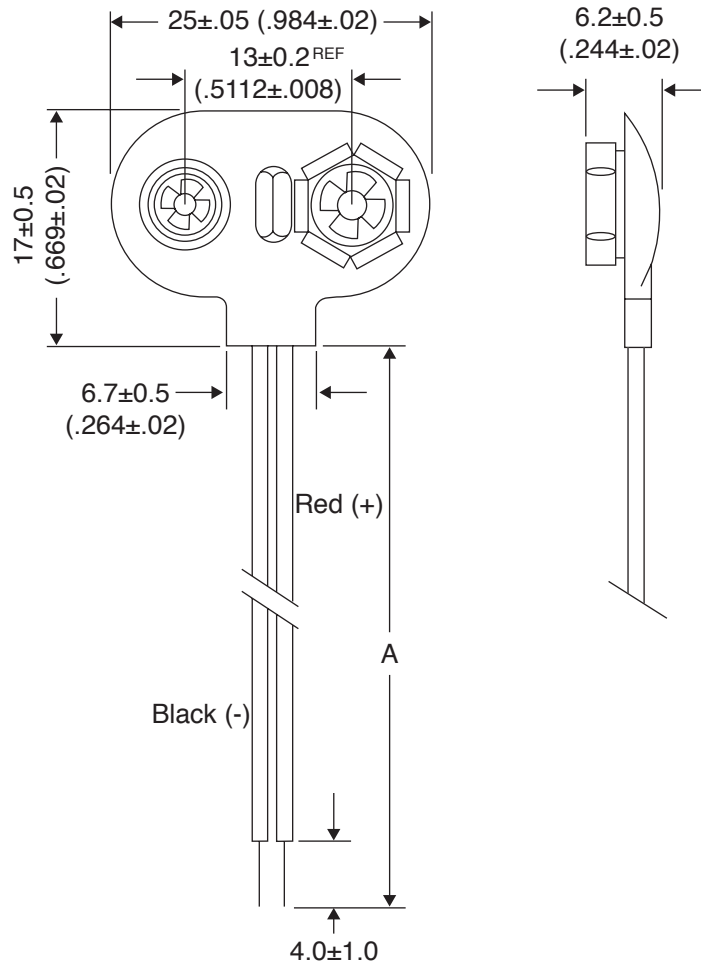


"I" Type Battery Snaps

 121-0426/T, 121-0526/T, 121-0626/T,
 121-0826/T, 121-1026/T

Date Last Revised: 10-25-05

Dimensions: mm (In.)

| Part No. | A |
|------------|---------------|
| 121-0426/T | "T" 4" 26AWG |
| 121-0526/T | "T" 5" 26AWG |
| 121-0626/T | "T" 6" 26AWG |
| 121-0826/T | "T" 8" 26AWG |
| 121-1026/T | "T" 10" 26AWG |

| SPECIFICATIONS | |
|------------------|-----------------------------------|
| Material: | P.V.C. Cover, Black Color |
| Terminal: | 6 Prongs |
| Wire: | AWG26, Black and Red, Strip & Tin |
| Snaps: | Nickel Plated Brass |

Available from Mouser Electronics
 1-800-346-6873
 www.mouser.com

EPD-200370

www.DataSheet4U.com