

PLEASE CHECK WWW.MOLEX.COM FOR LATEST PART INFORMATION

Part Number: [0504537425](#)
Status: **Active**
Description: Circuit Breaker Terminal for 4/0 AWG, Closed Uninsulated Brazed Barrel, Stud Size 1/2" (M12), Oxygen-Free Copper, Length 53.00mm (2.087")

Documents:

[Drawing \(PDF\)](#) [RoHS Certificate of Compliance \(PDF\)](#)
[Product Specification PS-50449-002 \(PDF\)](#)

Agency Certification

UL E134962

General

Product Family Ring and Spade Terminals
 Series [50453](#)
 Crimp Quality Equipment Yes
 Mil-Spec N/A
 Product Name CB (Circuit Breaker)
 Type Rectangular

Physical

Barrel Type Closed - Brazed
 Insulation None
 Material - Plating Mating Tin
 Packaging Type Bag
 Plating min: Mating (µin) 40
 Plating min: Mating (µm) 1
 Plating min: Termination (µin) 40
 Plating min: Termination (µm) 1
 Stud Size 1/2" (M12)
 Termination Interface: Style Crimp or Compression
 Wire Size AWG 4/0
 Wire Size mm² 96.3 - 117.2

Material Info

Reference - Drawing Numbers

Product Specification PS-50449-002
 Sales Drawing SD-50453-7*25



Series

image - Reference only

EU RoHS

ELV and RoHS Compliant
REACH SVHC
 Not Reviewed
Halogen-Free Status
 Not Reviewed

China RoHS



Need more information on product environmental compliance?

Email productcompliance@molex.com
 For a multiple part number RoHS Certificate of Compliance, [click here](#)

Please visit the [Contact Us](#) section for any non-product compliance questions.

Search Parts in this Series

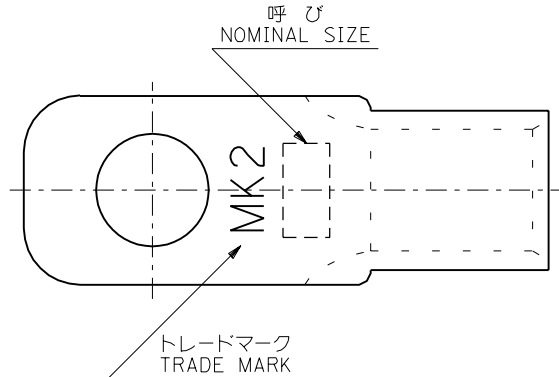
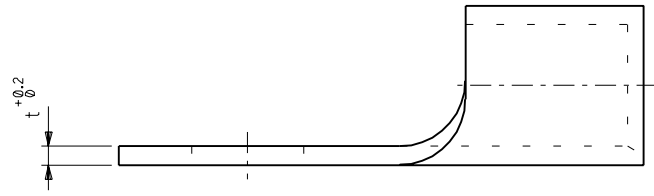
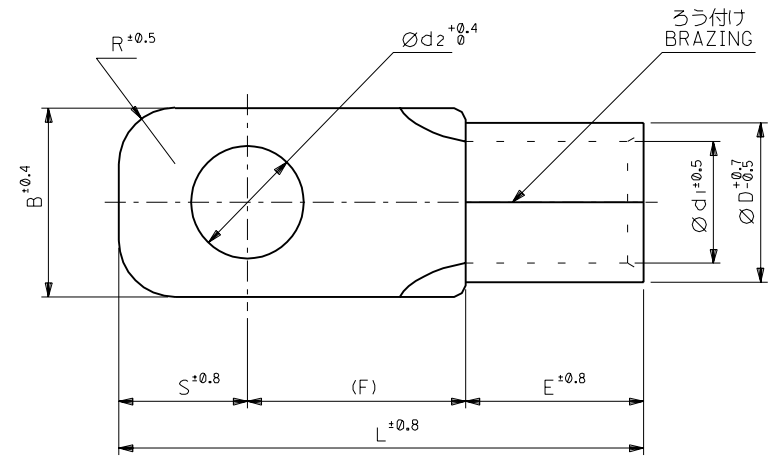
[50453Series](#)

Application Tooling | [FAQ](#)

Tooling specifications and manuals are found by selecting the products below. Crimp Height Specifications are then contained in the Application Tooling Specification document.

Japan

Description	Product #
Tool Kit For 57343-9012	0573439001
Battery Type Hand Crimper For JIS Terminal	0573439004



注記 NOTES

- 材質 MATERIAL
 端子: 無酸素銅, スズメッキ
 TERMINAL: OXYGEN FREE HIGH CONDUCTIVITY COPPER, TIN PLATING
 ろう付け部: 銀ろう
 PART OF BRAZING: SILVER SOLDER
- 適用電線 APPLICABLE WIRE RANGE

単線 SOLID WIRE	撚線 STRANDED WIRE
Ø10.41-11.68 mm	96.3-117.2 mm ²

2.6	13.0	53.0	12.0	3.7	21.0	20.0	16.4	22.3	22.0	CB100-12S	50453-7425
	10.5	52.0	11.0	6.4						CB100-10S	50453-7325
	8.4	53.0	12.0	3.7						CB100-10	50453-7225
		52.0	11.0	6.4						CB100-8S	50453-7125
t	d2	L	S	R	(F)	E	d1	D	B	呼び NOMINAL SIZE	呼び ENG. NO.

角度 ANGLE		30°								材料 MATERIAL	注記参照 SEE NOTES	MOLEX-JAPAN CO.,LTD. 日本モレックス株式会社	
30°以上 OVER		+0.5								仕上げ FINISH	注記参照 SEE NOTES		REVISE ONLY ON CAD SYSTEM
10°以上 OVER	30°未満 UNDER	+0.25								適用電線範囲 WIRE RANGE	注記参照 SEE NOTES	TITLE 名称	
10°未満 UNDER		+0.2								被覆外径 INS. RANGE	—	RING TERMINAL (FOR BREAKER) (銅線用裸圧着端子) (NON-INSULATED CRIMP-STYLE TERMINAL FOR COPPER CONDUCTORS)	
一般公差 GENERAL TOLERANCES		記号 LTR	変更内容 REVISION RECORD	DR. CHK.	日付 DATE	新規作成 RELEASED (JC90J24)	98/10/02	98/10/02	98/10/02	DRAWN BY '98/09/25 H.IIJIMA	CHK'D BY '98/10/02 T.YAMAGUCHI	DWG. NO.	REV
											SD-50453-7*25	0	