

**PLEASE CHECK WWW.MOLEX.COM FOR LATEST PART INFORMATION**

**Part Number:** [0014444906](#)  
**Status:** **Active**  
**Overview:** [cgrid\\_sl\\_products](#)  
**Description:** 2.54mm (.100") Pitch SL™ Insulation Displacement Connector Assembly, Male, Single Row, Version D, Back Ribs, for Wire Size 28, 0.76µm (30µ") Gold (Au), 6 Circuits

**Documents:**

[3D Model](#) [Product Specification PS-70400 \(PDF\)](#)  
[Drawing \(PDF\)](#) [RoHS Certificate of Compliance \(PDF\)](#)

**Agency Certification**

CSA LR19980  
 UL E29179

**General**

Product Family Ribbon Cable / Wire Trap Connectors  
 Series [70475](#)  
 Comments Terminals Preloaded  
 Component Type Housing  
 Glow-Wire Compliant No  
 Overview [cgrid\\_sl\\_products](#)  
 Product Name SL™

**Physical**

Circuits (Loaded) 6  
 Durability (mating cycles max) 50  
 Entry Angle Vertical  
 Flammability 94V-0  
 Lock to Mating Part None  
 Number of Rows 1  
 PCB Retention None  
 Packaging Type Tube  
 Pitch - Mating Interface (in) 0.100 In  
 Pitch - Mating Interface (mm) 2.54 mm  
 Polarized to Mating Part No  
 Stackable Yes  
 Surface Mount Compatible (SMC) N/A  
 Temperature Range - Operating -40°C to +105°C  
 Wire Insulation Diameter 1.35mm (.053") max.  
 Wire Size AWG 28  
 Wire/Cable Type Discrete Wire, Ribbon Cable

**Electrical**

Current - Maximum per Contact 1.2A  
 Voltage - Maximum 250V

**Material Info**

**Reference - Drawing Numbers**

Product Specification PS-70400

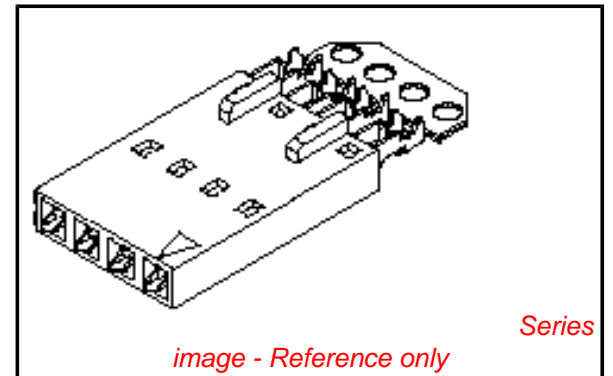


image - Reference only

**EU RoHS** **China RoHS**

**Compliance Status**

**Not Reviewed**

**REACH SVHC**

**Not Reviewed**

**Halogen-Free**

**Status**

**Not Reviewed**

**Need more information on product environmental compliance?**

Email [productcompliance@molex.com](mailto:productcompliance@molex.com)  
 For a multiple part number RoHS Certificate of Compliance, [click here](#)

Please visit the [Contact Us](#) section for any non-product compliance questions.

**Search Parts in this Series**

[70475Series](#)

**Mates With**

[70004](#) Interim Clip (Single Row), [70013](#) Interim Clip (Dual Row)

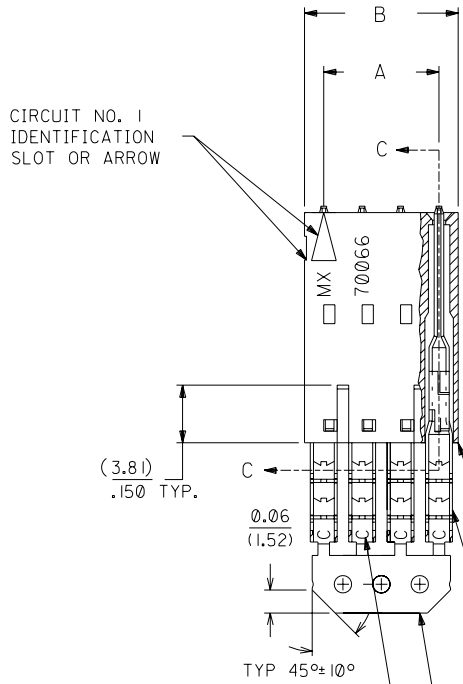
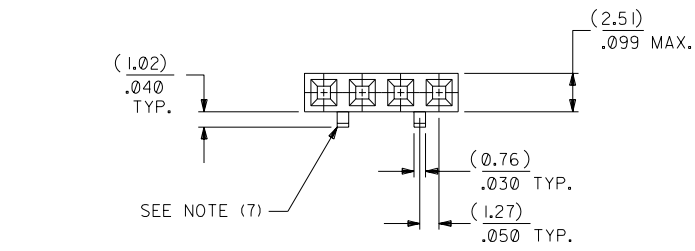
**Use With**

[7307](#) Tinned 28AWG, [7767](#) Topcoat 28AWG, [24241](#) Tinned 26AWG, [8996](#) Topcoat 26AWG, [24226](#) Tinned 24AWG, [8997](#) Topcoat 24AWG, [24369](#) High Flex 26AWG, [24389](#) High Flex 24AWG

# OPTION D

**NOTES:**

- 1) TO BE USED WITH (28) AWG. STRANDED WIRE WITH (1.35)/.053 DIA. MAX. INSULATION.
- 2) SEE CHART FOR CIRCUIT SIZES.
- 3) STANDARD PACKAGING PER PK-70873-0001. OPTIONAL PACKAGING MAY BE AVAILABLE, REQUEST DWG. PK-70475.
- 4) PARTS STACKABLE END TO END ON (2.54)/.100 CENTERS.
- 5) REFER TO PRODUCT SPECIFICATION: PS-70475.
- 6) SEE DWG. SDA-70475-\*\*\*\*\* (SHT.3) FOR OPTIONAL HOUSING DETAILS.
- 7) 4 CIRCUIT SHOWN. 3 - 25 CKT'S. HAVE (2) RIBS.
- 8) TO MATE WITH MOLEX PART NO'S.: 70018-\*\*\*\*, 70022-\*\*\*\*, 70104-\*\*\*\*.
- 9) 2 CIRCUIT ASSEMBLIES SUPPLIED AS GROUPED PAIRS.



I.D. SLOT CODE TO WIRE GAUGE CHART	
I.D. SLOT CODE	WIRE GAUGE
C	28 AWG.

PLATING CODE (STRIPE ON CARRIER STRIP)	
PLATING	COLOR
30 GOLD	RED

30 GOLD - .000030 MINIMUM GOLD IN SELECT AREA WITH .000075 MINIMUM TIN IN SELECT AREA OVER .000050 MINIMUM NICKEL OVER-ALL.

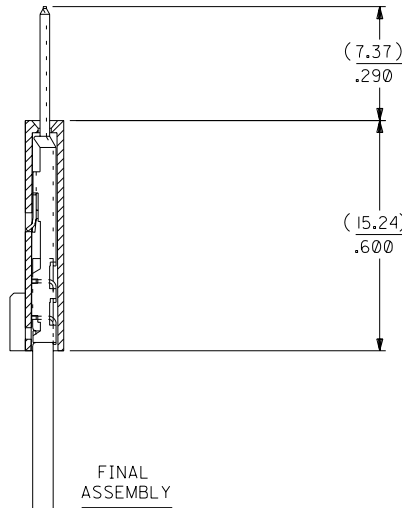
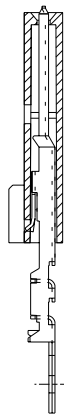
\*THE PRIMARY SHIPPING CARTON WILL BE LABELED "COMPLIANT TO RoHS DIRECTIVE 2002/95/EC AND ELV ANNEX II OF DIRECTIVE 2000/53/EC". CARTONS WITHOUT THIS LABEL MAY CONTAIN PRODUCT WITH LEAD.

HOUSING PART NO. 70066-\*\*\*\*  
MATERIAL: G.F. POLYESTER, 94V-0

TERMINAL PART NO. 70110-\*\*\*\*  
MATERIAL: PHOSPHOR BRONZE  
PLATING PER ES-88-\*\*\*



**SECTION C-C**



CKT. SIZE	A	B	EDP. NO.	ENG. NO.
2	( 2.54 ) .100	( 5.05 ) .199	14-44-4902	A-70475-1471
3	( 5.08 ) .200	( 7.59 ) .299	14-44-4903	A-70475-1472
4	( 7.62 ) .300	( 10.13 ) .399	14-44-4904	A-70475-1473
5	( 10.16 ) .400	( 12.67 ) .499	14-44-4905	A-70475-1474
6	( 12.70 ) .500	( 15.21 ) .599	14-44-4906	A-70475-1475
7	( 15.24 ) .600	( 17.75 ) .699	14-44-4907	A-70475-1476
8	( 17.78 ) .700	( 20.29 ) .799	14-44-4908	A-70475-1477
9	( 20.32 ) .800	( 22.83 ) .899	14-44-4909	A-70475-1478
10	( 22.86 ) .900	( 25.37 ) .999	14-44-4910	A-70475-1479
11	( 25.54 ) 1.000	( 27.91 ) 1.099	14-44-4911	A-70475-1480
12	( 27.94 ) 1.100	( 30.45 ) 1.199	14-44-4912	A-70475-1481
13	( 30.48 ) 1.200	( 32.99 ) 1.299	14-44-4913	A-70475-1482
14	( 33.02 ) 1.300	( 35.53 ) 1.399	14-44-4914	A-70475-1483
15	( 35.56 ) 1.400	( 38.07 ) 1.499	14-44-4915	A-70475-1484
16	( 38.01 ) 1.500	( 40.61 ) 1.599	14-44-4916	A-70475-1485
17	( 40.64 ) 1.600	( 43.15 ) 1.699	14-44-4917	A-70475-1486
18	( 43.18 ) 1.700	( 45.69 ) 1.799	14-44-4918	A-70475-1487
19	( 45.72 ) 1.800	( 48.23 ) 1.899	14-44-4919	A-70475-1488
20	( 48.26 ) 1.900	( 50.77 ) 1.999	14-44-4920	A-70475-1489
21	( 50.80 ) 2.000	( 53.31 ) 2.099	14-44-4921	A-70475-1490
22	( 53.34 ) 2.100	( 55.85 ) 2.199	14-44-4922	A-70475-1491
23	( 55.88 ) 2.200	( 58.39 ) 2.299	14-44-4923	A-70475-1492
24	( 58.42 ) 2.300	( 60.93 ) 2.399	14-44-4924	A-70475-1493
25	( 60.96 ) 2.400	( 63.47 ) 2.499	14-44-4925	A-70475-1494

REV. NO.	DATE	BY	CHK'D. BY	SCALE
D				
E				
DI				
LTR.	REVISIONS	LTR.	REVISIONS	

DRWG. BY	CHK'D. BY	SCALE
WAZ	WAZ	4 : 1
APP'D. BY		
RL		

DIMENSIONS SHOWN (METRIC) INCH  
UNLESS OTHERWISE SPECIFIED  
TOLERANCES: ANGULAR ± 1/2°

3 PLACE ± .010 INCH --- METRIC  
2 PLACE ± .014 ± 0.25  
1 PLACE --- ± 0.35

DRAFT WHERE APPLICABLE MUST REMAIN WITHIN DIMENSIONS

DRWG. NO. SDA-70475-1471-1494  
FILE NAME 570475DX9  
THIS DRAWING CONTAINS INFORMATION THAT IS PROPRIETARY TO MOLEX INC. AND SHOULD NOT BE USED WITHOUT WRITTEN PERMISSION.

MFG. SH. REV.  
REVISE ONLY ON CAD SYSTEM

TITLE  
ASSEMBLY, SL CONNECTOR  
(SINGLE ROW- (2.54)/.100 GRID)

MOLEX INCORPORATED  
LISLE, ILL. 60532 U.S.A.

SHEET NO. 1  
DATE 10/13/84