

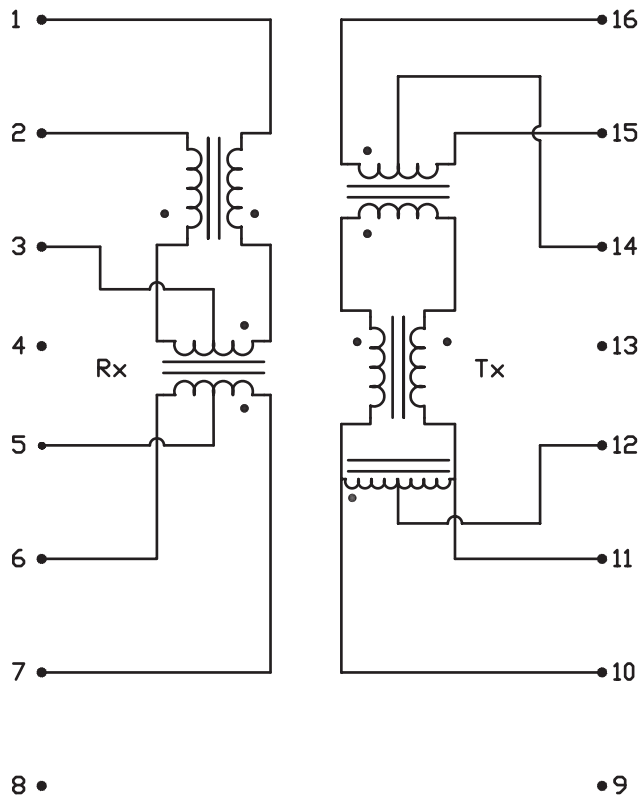
10/100BASE-T LAN MAGNETICS

S558-5999-U5-F Extended Temperature Transformer Module



ELECTRICAL CHARACTERISTICS @ 25°C

SCHEMATIC



Operating temperature -40° to +85° C

URNS RATIO

Rx (1-3-2) : (7-5-6)
Tx (16-14-15) : (10-12-11)

1CT : 1CT

PHASING

1 TO 7 AND 16 TO 10 IN PHASE

DCL (-40°C TO +85°C)
(7-6) OPEN 1-2
(10-11) OPEN 16-15

350μH MIN
AT 100kHz 100mVrms
WITH 8mA DC BIAS

INSERTION LOSS

1.0dB MAX
AT 100kHz TO 80MHz

RETURN LOSS
MEASURED UNDER 100 Ω
ENVIRONMENT (16-15) TO (10-11)
(7-6) TO (1-2)

FREQ(MHz)	2	10	30	45	60	80
dB MIN	20	20	19	16	13	12

RETURN LOSS
MEASURED UNDER 25 AND 100 Ω
IMPEDANCE ENVIRONMENT ACROSS
(16-14) AND (10-11)
RESPECTIVELY

17dB MIN AT 5MHz & 10MHz

CMDR

40dB MIN AT 100kHz TO 50MHz
30dB MIN ABOVE 50M TO 100MHz

CROSSTALK

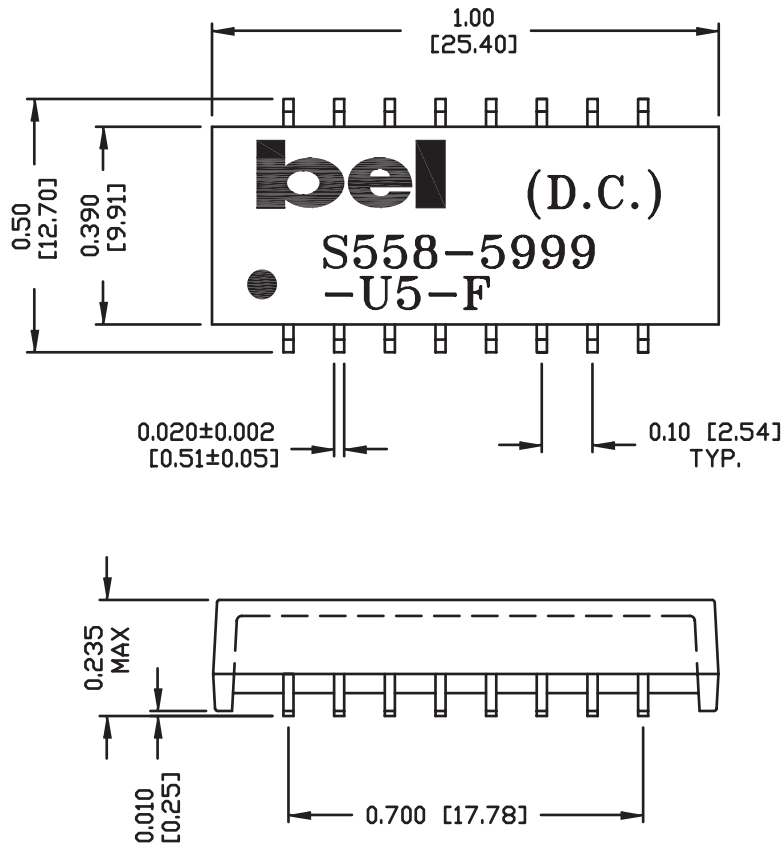
30dB MIN AT 100kHz TO 100MHz

HIPOT

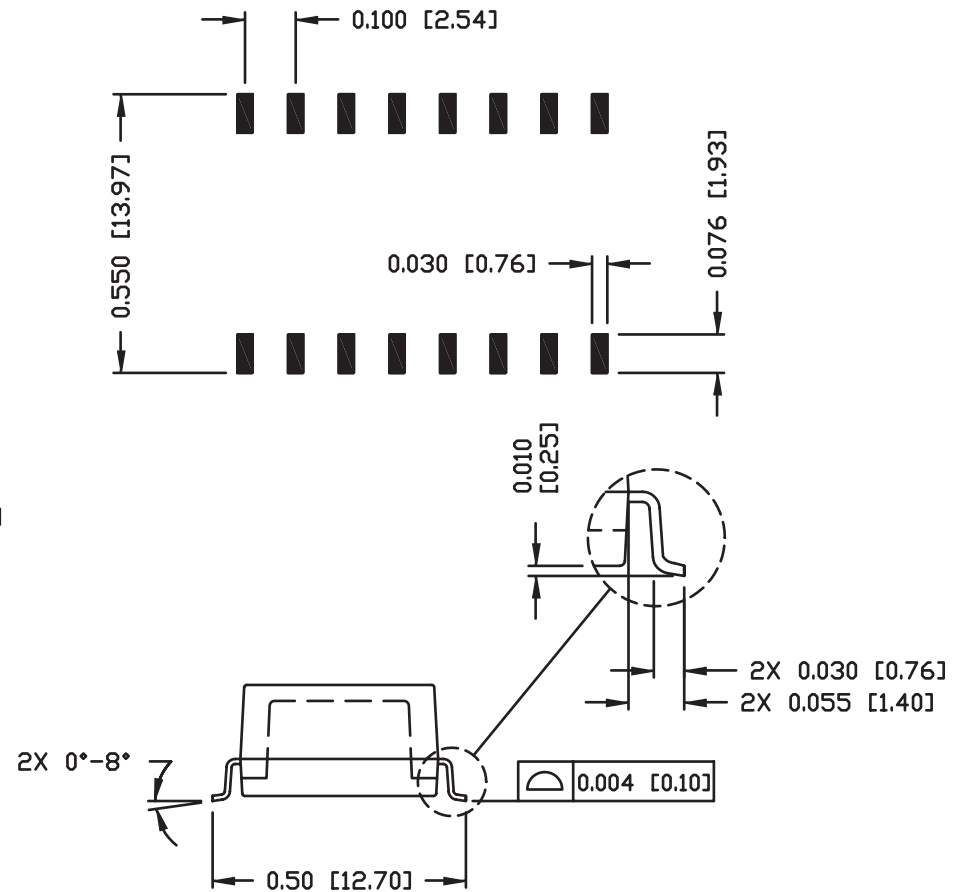
PER HAND-WORK-03

10/100BASE-T LAN MAGNETICS

S558-5999-U5-F Extended Temperature Transformer Module



SUGGESTED PCB PAD LAYOUT



NOTES:

1. STANDARD MARKING REFER TO DOC. HAND-WORK-04.
2. PACKAGE CODE: 'RNS001'.