

PLEASE CHECK WWW.MOLEX.COM FOR LATEST PART INFORMATION

Part Number: [0877596544](#)
Status: **Active**
Overview: milligrd
Description: 2.00mm (.079") Pitch Milli-Grid™ Header, Surface Mount, Vertical, 44 Circuits, 0.76µm (30µ") Gold (Au) Selective Plating, with Press-fit Plastic Pegs, Pick-and-Place Cap, Tape and Reel Packaging, Lead-free

Documents:

[3D Model](#) [Product Specification PS-87761-100 \(PDF\)](#)
[Drawing \(PDF\)](#) [RoHS Certificate of Compliance \(PDF\)](#)

Agency Certification

UL E29179

General

Product Family PCB Headers
 Series [87759](#)
 Application Board-to-Board
 Overview [milligrd](#)
 Product Name Milli-Grid™

Physical

Breakaway Yes
 Circuits (Loaded) 44
 Circuits (maximum) 44
 Color - Resin Black
 Durability (mating cycles max) 100
 First Mate / Last Break No
 Flammability 94V-0
 Glow-Wire Compliant No
 Guide to Mating Part No
 Keying to Mating Part None
 Lock to Mating Part None
 Mated Height (in) 0.150 In
 Mated Height (mm) 3.80 mm
 Material - Metal Phosphor Bronze
 Material - Plating Mating Gold
 Material - Plating Termination Tin
 Material - Resin High Temperature Thermoplastic
 Number of Rows 2
 Orientation Vertical
 PCB Locator Yes
 PCB Retention None
 Packaging Type Embossed Tape on Reel
 Pitch - Mating Interface (in) 0.079 In
 Pitch - Mating Interface (mm) 2.00 mm
 Pitch - Term. Interface (in) 0.079 In
 Pitch - Term. Interface (mm) 2.00 mm
 Plating min: Mating (µin) 30
 Plating min: Mating (µm) 0.76
 Polarized to Mating Part No
 Polarized to PCB No
 Robotic Placement Pick and Place Cap
 Shrouded No
 Stackable Yes
 Temperature Range - Operating -55°C to +105°C

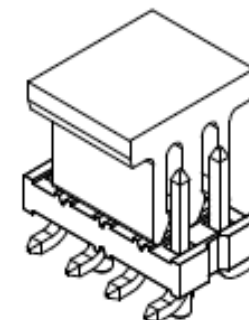


image - Reference only

Series

EU RoHS

ELV and RoHS Compliant
REACH SVHC Contains SVHC: No
Halogen-Free Status
Not Reviewed

China RoHS



Need more information on product environmental compliance?

Email productcompliance@molex.com
 For a multiple part number RoHS Certificate of Compliance, [click here](#)

Please visit the [Contact Us](#) section for any non-product compliance questions.

Search Parts in this Series

[87759Series](#)

Mates With

[79107](#) Milli-Grid™ Receptacle, Vertical, Through Hole. [79108](#) Milli-Grid™ Flex-to-Board, Vertical Receptacle. Milli-Grid™ Receptacle, Surface Mount. [79109](#). [87381](#)

Termination Interface: Style Surface Mount

Electrical

Current - Maximum per Contact 2A
Voltage - Maximum 125V

Solder Process Data

Duration at Max. Process Temperature (seconds) 10
Lead-free Process Capability Reflow Capable (SMT only)
Max. Cycles at Max. Process Temperature 3
Process Temperature max. C 260

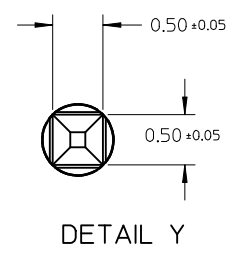
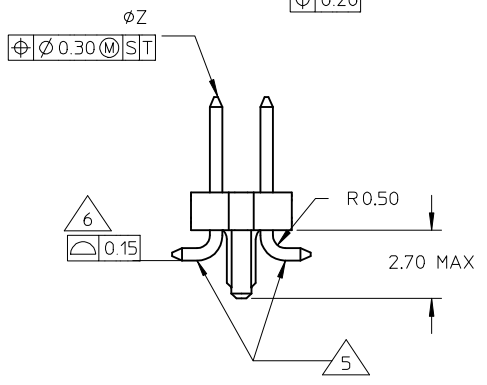
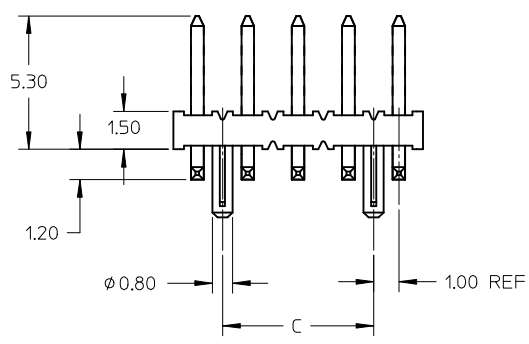
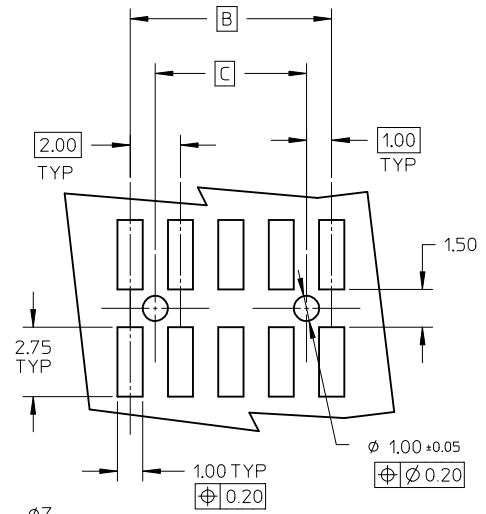
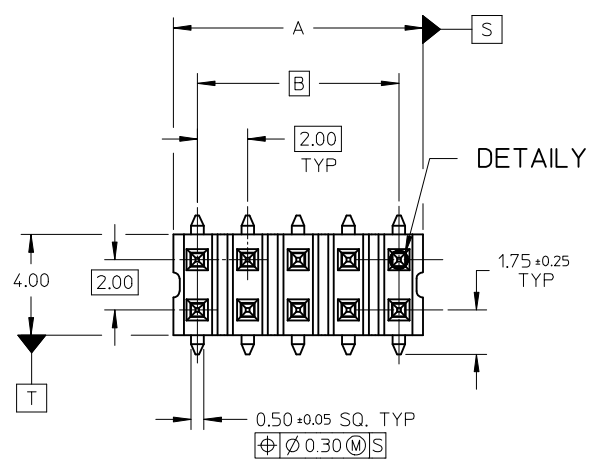
Material Info

Reference - Drawing Numbers

Packaging Specification PK-89990-484
Product Specification PS-87761-100
Sales Drawing SD-87759-207

This document was generated on 05/25/2010

PLEASE CHECK WWW.MOLEX.COM FOR LATEST PART INFORMATION

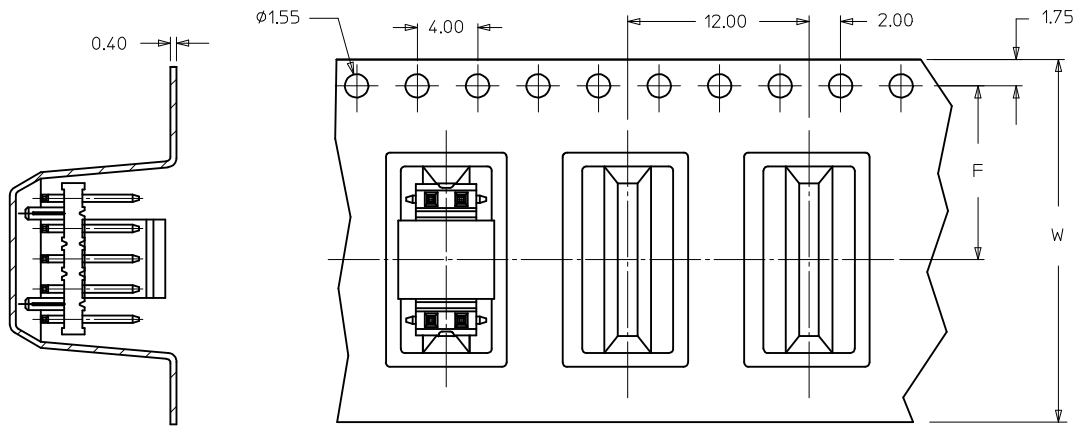


- NOTE:
- MATERIAL:
HSG & CAP - HIGH TEMPERATURE THERMOPLASTIC, UL 94V-0, COLOUR BLACK

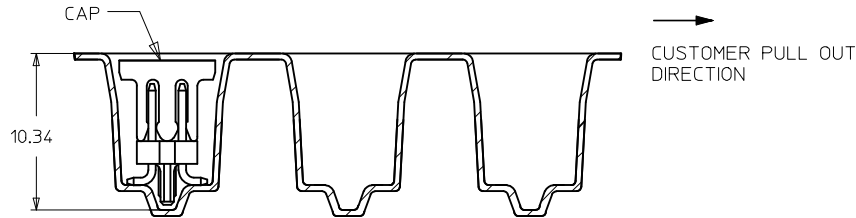
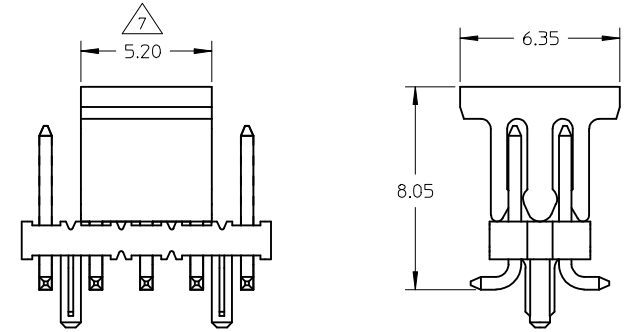
PIN - 0.50 SQ PHOSPHOR BRONZE
 - PLATING:
0.76um MIN GOLD PLATE AT CONTACT AREA,
TIN PLATE AT SOLDER AREA,
BOTH OVER NICKEL UNDERPLATE
 - PIN PUSHOUT FORCE: 1KG MIN IN EITHER DIRECTION
 - PRODUCT SPEC PS-87761-100 APPLIES.
 - BEND DEPRESSION IS ACCEPTABLE SO LONG AS IT DOES NOT AFFECT THE OVERALL COPLANARITY OF TAIL.
 - COPLANARITY IS TO BE MEASURED BY RESTING THE SOLDER TAIL ON A GAUGE SURFACE.
 - CAP TO BE LOCATED AS CENTRAL OF PART AS POSSIBLE TOP SURFACE OF CAP TO BE FLAT FOR THE PURPOSE OF PICK & PLACE BY VACUUM SUCTION NOZZLE.
 - FOR ILLUSTRATION PURPOSES, 10CKT IS SHOWN (WITH TAPE & REEL ON 2ND SHEET). SHT 3 INDICATES THE TYPE OF EMBOSSED USED IN GENERAL.
 - TUBE LENGTH IS 560MM REF STANDARD.
 - RECOMMENDED PCB BOARD THK IS 1.60±0.10 MM.

CORRECT P/NS/ TYPO ERROR EC NO: S2009-0867 DRWN:ATSEE CHKD:SKANG APPR:MLONG	2009/05/28 2009/05/29 2009/06/01	DESCRIPTION B1	QUALITY SYMBOLS ▽=0 ◻=0	GENERAL TOLERANCES (UNLESS SPECIFIED)		DIMENSION STYLE MM ONLY		SCALE NTS	DESIGN UNITS METRIC	THIRD ANGLE PROJECTION	
				mm	INCH	DRAWN BY	DATE	TITLE			
				4 PLACES	± ---	± ---	KSEE	2003/12/19	SALES DRAWING		
				3 PLACES	± ---	± ---	CHECKED BY	DATE	MGRID 2MM DUAL ROW SMT		
2 PLACES	± 0.2	± ---	KCL ING	2004/01/12	HDR WITH PEG						
1 PLACE	± ---	± ---	APPROVED BY	DATE	MOLEX INCORPORATED						
ANGULAR ± 3 °		SKTOH	2004/01/12	DOCUMENT NO.			SD-87759-207				
DRAFT WHERE APPLICABLE MUST REMAIN WITHIN DIMENSIONS		MATERIAL NO.		SEE TABLE		SHEET NO.		1 OF 4			
		SIZE		THIS DRAWING CONTAINS INFORMATION THAT IS PROPRIETARY TO MOLEX INCORPORATED AND SHOULD NOT BE USED WITHOUT WRITTEN PERMISSION							

PART IN TAPE AND REEL ORIENTATION

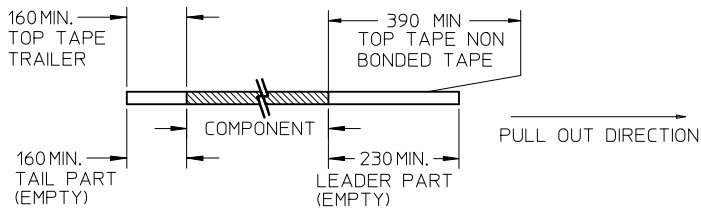


PART WITH CAP

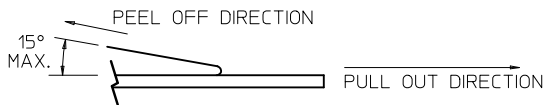


NOTES:

1. LEADER AND TRAILER TAPE



2. PEELING OFF FORCE OF THE TOP TAPE: 20 - 80gf.
(PEELING DIRECTION AS SHOWN IN FOLLOWING FIGURE)

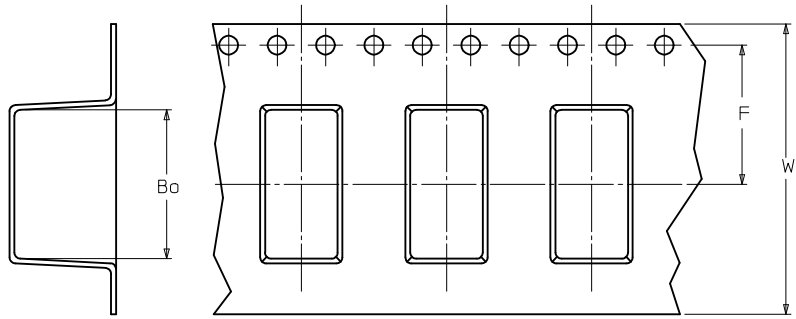


- 3. TAPE AND REEL SPECIFICATION IS AS PER EIA-481.
- 4. TAPE AND REEL QUANTITY : 500 PCS/ REEL.
- 5. THE TAPE IS TREATED FOR ANTI-STATIC.

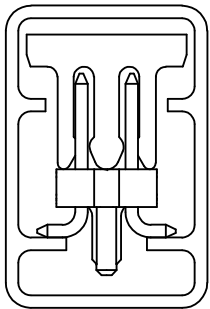
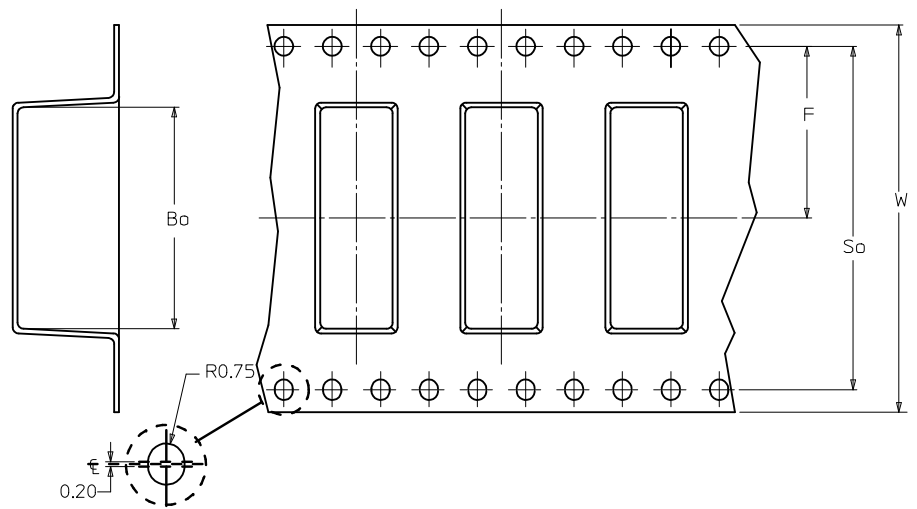
CORRECT P/NS' TYPO ERROR EC NO: S2009-0867 DR: NAISEE 2009/05/28 CHKD: SKANG 2009/05/29 APPR: MLONG 2009/06/01	QUALITY SYMBOLS ▽=0 ◻=0	GENERAL TOLERANCES (UNLESS SPECIFIED)		DIMENSION STYLE	SCALE	DESIGN UNITS	THIRD ANGLE PROJECTION	
				MM ONLY	NTS	METRIC		
			mm	INCH	DRAWN BY	DATE	TITLE	
		4 PLACES	± ---	± ---	KSEE	2003/12/19	SALES DRAWING	
3 PLACES	± ---	± ---	CHECKED BY	DATE	MGRID 2MM DUAL ROW SMT			
2 PLACES	± 0.2	± ---	KCL ING	2004/01/12	HDR WITH PEG			
1 PLACE	± ---	± ---	APPROVED BY	DATE	MOLEX INCORPORATED			
ANGULAR ± 3 °		SKTOH		2004/01/12	DOCUMENT NO.			
DRAFT WHERE APPLICABLE MUST REMAIN WITHIN DIMENSIONS		MATERIAL NO.		SEE TABLE		SD-87759-207	SHEET NO.	
B1		SIZE		THIS DRAWING CONTAINS INFORMATION THAT IS PROPRIETARY TO MOLEX INCORPORATED AND SHOULD NOT BE USED WITHOUT WRITTEN PERMISSION		2 OF 4		

10 9 8 7 6 5 4 3 2 1

EMBOSED CARRIER TAPE TYPE "A"



EMBOSED CARRIER TAPE TYPE "B"



PART WITH CAP IN
TUBE ORIENTATION

CORRECT P/NS' TYPO ERROR EC NO: S2009-0867 DRW:WATSEE 2009/05/28 CHK:DJSKANG 2009/05/29 APPR:MLONG 2009/06/01	DESCRIPTION REV	QUALITY SYMBOLS ▽=0 ◻=0	GENERAL TOLERANCES (UNLESS SPECIFIED)		DIMENSION STYLE MM ONLY		SCALE NTS	DESIGN UNITS METRIC	THIRD ANGLE PROJECTION	
			mm INCH	DRAWN BY KSEE	DATE 2003/12/19	TITLE SALES DRAWING MGRID 2MM DUAL ROW SMT HDR WITH PEG				
		4 PLACES ± --- ± --- 3 PLACES ± --- ± --- 2 PLACES ± 0.2 ± --- 1 PLACE ± --- ± ---	CHECKED BY KCLING	DATE 2004/01/12	MOLEX INCORPORATED					
		ANGULAR ± 3 °	APPROVED BY SKTOH	DATE 2004/01/12	MATERIAL NO. SEE TABLE	DOCUMENT NO. SD-87759-207	SHEET NO. 3 OF 4			
B1		DRAFT WHERE APPLICABLE MUST REMAIN WITHIN DIMENSIONS	SIZE A3	THIS DRAWING CONTAINS INFORMATION THAT IS PROPRIETARY TO MOLEX INCORPORATED AND SHOULD NOT BE USED WITHOUT WRITTEN PERMISSION						

9 8 7 6 5 4 3 2 1

	10	9	8	7	6	5	4	3	2	1	
F	PART NUMBER WITH CAP IN TUBE	PART NUMBER WITH CAP IN TAPE AND REEL.	CKT SIZE	A	B	C	Bo	F	So	W	EMBOSSED TYPE
	87759-0866	87759-6526	08	7.90	6.00	4.00	8.50	11.50	-	24.00	A
	87759-1066	87759-6527	10	9.90	8.00	6.00	10.50	11.50	-	24.00	A
	87759-1266	87759-6528	12	11.90	10.00	8.00	12.50	11.50	-	24.00	A
	87759-1466	87759-6529	14	13.90	12.00	10.00	14.50	11.50	-	24.00	A
	87759-1666	87759-6530	16	15.90	14.00	12.00	16.50	14.20	28.40	32.00	B
	87759-1866	87759-6531	18	17.90	16.00	14.00	18.50	14.20	28.40	32.00	B
E	87759-2066	87759-6532	20	19.90	18.00	16.00	20.50	20.20	40.40	44.00	B
	87759-2266	87759-6533	22	21.90	20.00	18.00	22.50	20.20	40.40	44.00	B
	87759-2466	87759-6534	24	23.90	22.00	20.00	24.50	20.20	40.40	44.00	B
	87759-2666	87759-6535	26	25.90	24.00	22.00	26.50	20.20	40.40	44.00	B
	87759-2866	87759-6536	28	27.90	26.00	24.00	28.50	20.20	40.40	44.00	B
D	87759-3066	87759-6537	30	29.90	28.00	26.00	30.50	20.20	40.40	44.00	B
	87759-3266	87759-6538	32	31.90	30.00	28.00	32.50	26.20	52.40	56.00	B
	87759-3466	87759-6539	34	33.90	32.00	30.00	34.50	26.20	52.40	56.00	B
	87759-3666	87759-6540	36	35.90	34.00	32.00	36.50	26.20	52.40	56.00	B
	87759-3866	87759-6541	38	37.90	36.00	34.00	38.50	26.20	52.40	56.00	B
	87759-4066	87759-6542	40	39.90	38.00	36.00	40.50	26.20	52.40	56.00	B
C	87759-4266	87759-6543	42	41.90	40.00	38.00	42.50	26.20	52.40	56.00	B
	87759-4466	87759-6544	44	43.90	42.00	40.00	44.50	26.20	52.40	56.00	B
	87759-4666	87759-6545	46	45.90	44.00	42.00	50.50	34.20	68.40	72.00	B
	87759-4866	87759-6546	48	47.90	46.00	44.00	50.50	34.20	68.40	72.00	B
	87759-5066	87759-6547	50	49.90	48.00	46.00	50.50	34.20	68.40	72.00	B

B											
---	--	--	--	--	--	--	--	--	--	--	--

A	CORRECT P/NS/ TYPO ERROR EC NO: S2009-0867 DRWN:ATSEE 2009/05/28 CHKD:SKANG 2009/05/29 APPR:MLONG 2009/06/01	REV B1	DESCRIPTION	QUALITY SYMBOLS	GENERAL TOLERANCES (UNLESS SPECIFIED)	DIMENSION STYLE	SCALE	DESIGN UNITS	THIRD ANGLE PROJECTION	TITLE SALES DRAWING MGRID 2MM DUAL ROW SMT HDR WITH PEG MOLEX INCORPORATED SD-87759-207	SHEET NO. 4 OF 4
				▼=0 ◻=0	mm INCH	MM ONLY	NTS	METRIC			
					4 PLACES ± --- ± --- 3 PLACES ± --- ± --- 2 PLACES ± 0.2 ± --- 1 PLACE ± --- ± ---	DRAWN BY DATE KSEE 2003/12/19	CHECKED BY DATE KCLING 2004/01/12	APPROVED BY DATE SKTOH 2004/01/12			
				ANGULAR ± 3 °	MATERIAL NO.	DOCUMENT NO.					
				DRAFT WHERE APPLICABLE MUST REMAIN WITHIN DIMENSIONS	SEE TABLE	THIS DRAWING CONTAINS INFORMATION THAT IS PROPRIETARY TO MOLEX INCORPORATED AND SHOULD NOT BE USED WITHOUT WRITTEN PERMISSION					