

D-SUB SHIELDED CAP

Metal design – Shielded – 9-50 pos. – For use with shell size 1-5

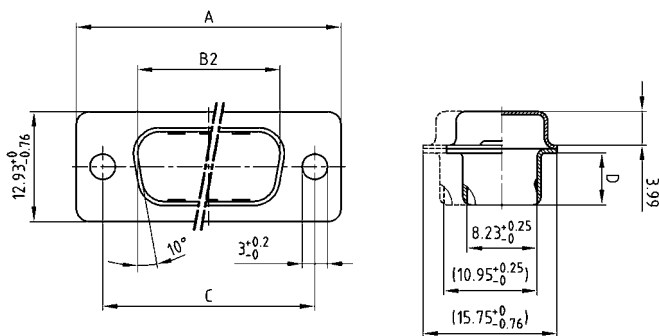


RoHS compliant

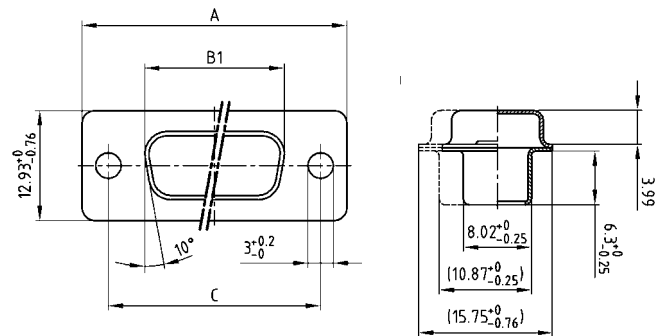
DESCRIPTION

- Shielded cap protecting against EMI/RFI
- Material: Steel tin plated
- Mounting style:
with Through-hole Ø .118" / 3.00 mm
- Bulk packaged

FOR SOCKET CONNECTOR



FOR PLUG CONNECTOR



50 pos. = Dim. in (..)

No. of pos.	A-0.76	B1-0.25	B2+0.25	C	D-0.3
09	31.19	16.46	16.79	25.00	6.12
15	39.52	24.79	25.12	33.30	6.12
25	53.42	38.50	38.84	47.04	5.99
37	69.70	54.96	55.30	63.50	5.99
50	67.31	52.55	52.68	61.10	5.99

ORDER DATA

SHIELDED CAP FOR SOCKET CONNECTOR		
No. of pos.	Design	Part Number
09	Metal / Through-hole Ø .118" / 3.00 mm	165 X 12969 X
15	Metal / Through-hole Ø .118" / 3.00 mm	165 X 12979 X
25	Metal / Through-hole Ø .118" / 3.00 mm	165 X 12989 X
37	Metal / Through-hole Ø .118" / 3.00 mm	165 X 12999 X
50	Metal / Through-hole Ø .118" / 3.00 mm	165 X 13009 X

SHIELDED CAP FOR PLUG CONNECTOR		
No. of pos.	Design	Part Number
09	Metal / Through-hole Ø .118" / 3.00 mm	165 X 13129 X
15	Metal / Through-hole Ø .118" / 3.00 mm	165 X 13139 X
25	Metal / Through-hole Ø .118" / 3.00 mm	165 X 13149 X
37	Metal / Through-hole Ø .118" / 3.00 mm	165 X 13159 X
50	Metal / Through-hole Ø .118" / 3.00 mm	165 X 13169 X