



SW12310W(12V85Ah)



● Specifications

Nominal Voltage	12V	
CAPACITY(15 minutes rate to 1.67V/cell)	310 W	
Rated capacity (10 hour rate)	85Ah	
Dimensions	Total Height	216 mm (8.50 inches)
	Height	211 mm (8.31 inches)
	Length	307 mm (12.1 inches)
	Width	169 mm (6.65 inches)
Weight Approx	28 Kg (61.7 lbs)	

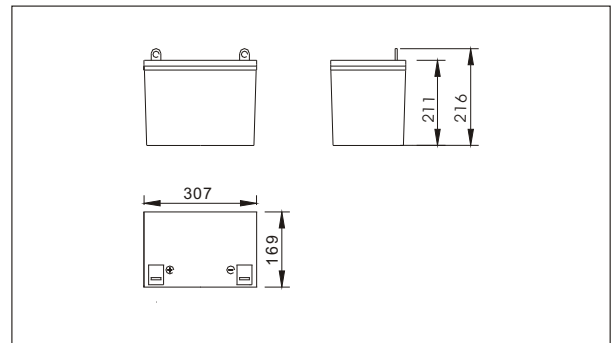
● Characteristics

Capacity 25°C(77°F)	30min rate	1121W
	15min rate	1860W
	5min rate	3282W
Internal Resistance	Full charged Battery at 25°C(77°F)	4.2 mΩ
Capacity affected by Temperature (20hour rate)	40°C(104°F)	102%
	25°C(77°F)	100%
	0°C(32°F)	85%
	-15°C(5°F)	65%
Self-Discharge at 25°C(77°F)	Capacity after 3 month storage	91%
	Capacity after 6 month storage	82%
	Capacity after 12 month storage	64%
Terminal	T10、T16	
Charge (constant Voltage)	Cycle	Initial Charging Current less than 17A Voltage 14.10-14.40V
	Float	Voltage 13.50-13.80V

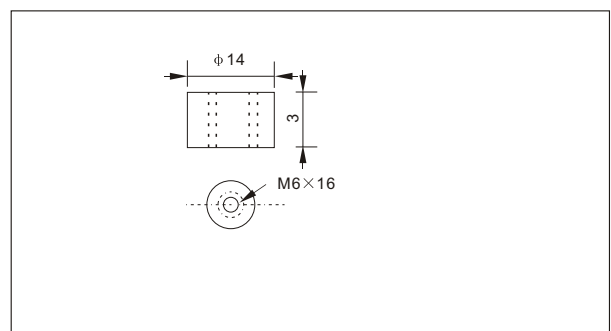
● Constant power discharge:watts(25°C, 77°F)

	5min	10min	15min	20min	30min	45min	60min	90min
9.60V	3282	2455	1903	1568	1169	861	675	502
10.02V	3142	2375	1860	1541	1143	829	659	485
10.2V	3002	2285	1817	1504	1121	818	643	468
10.5V	2864	2232	1770	1477	1100	792	616	446
10.8V	2724	1998	1568	1371	978	707	558	428
11.1V	2426	1786	1424	1265	909	664	525	407

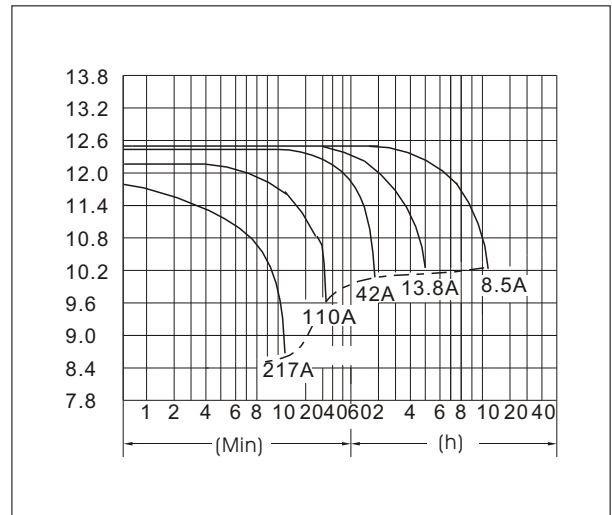
● Outer dimensions (mm)



● Terminal Type (mm)



● Discharge Curves 25°C(77°F)



● Constant current discharge unit:A(5°C, 77°F)

	5min	15min	30min	45min	60min	90min	5h	10h
9.60V	314.2	181.2	110.9	81.0	63.3	47.0	14.0	9.1
10.02V	297.5	174.0	106.4	76.9	60.5	44.5	13.8	8.9
10.2V	276.7	167.7	102.8	75.2	58.5	42.6	13.7	8.7
10.5V	255.9	156.9	95.6	69.1	53.4	40.0	13.5	8.5
10.8V	244.0	138.8	86.4	62.4	49.1	37.5	13.4	8.2
11.1V	214.2	127.1	80.6	58.5	46.1	35.6	13.1	8.0