

Customer Information Sheet

DRAWING No.: M22-714XXXX

SHEET 3 OF 3

IF IN DOUBT - ASK

©

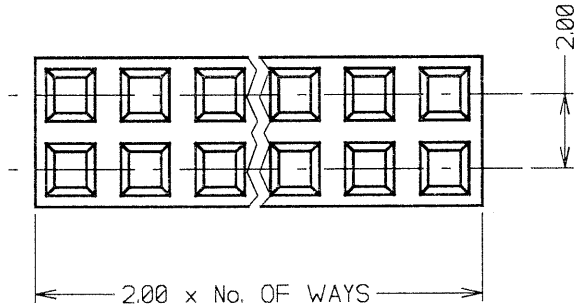
NOT TO SCALE

THIRD ANGLE PROJECTION

ALL DIMENSIONS IN mm

NOTES:

1. RECOMMENDED PCB HOLE SIZE = $\varnothing 0.80\text{mm}$.



ORDER CODE:
M22-714XXXX
 No. OF WAYS _____
 03 TO 32
 FINISH: _____
 42 = SELECTIVE GOLD +
 100% TIN (MATT FINISH)

SPECIFICATION:

MATERIAL:
 MOULDING = NYLON 6T UL94V-0, BLACK
 CONTACTS = PHOSPHOR BRONZE
 FINISH: (OVER NICKEL)
 42 = GOLD ON CONTACT AREA,
 100% TIN (MATT FINISH) ON TAILS

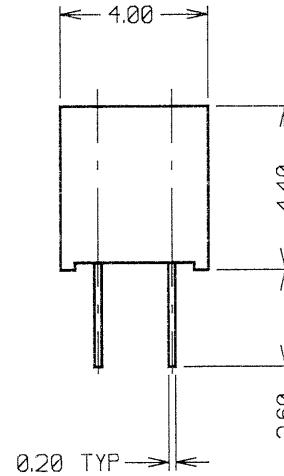
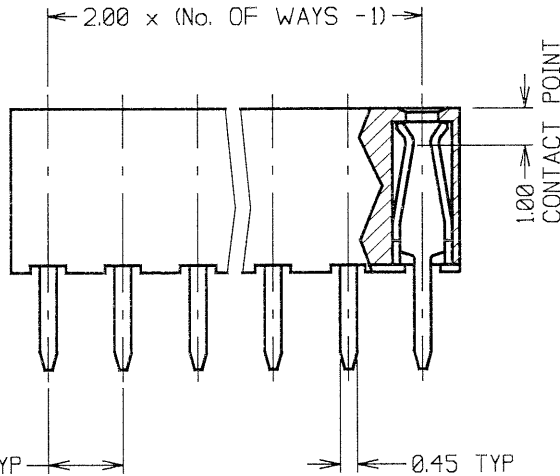
MECHANICAL:
 INSERTION FORCE = 2N MAX
 WITHDRAWAL FORCE = 0.2N MIN
 DURABILITY = 1000 OPERATIONS

ELECTRICAL:
 CURRENT RATING = 1A AC/DC
 VOLTAGE PROOF = 500V AC MIN
 CONTACT RESISTANCE = 20 MILLIOHMS MAX
 INSULATION RESISTANCE = 1000 MEGOHMS MIN
 DIELECTRIC WITHSTANDING = 500V AC FOR 1 MIN

ENVIRONMENTAL:
 TEMPERATURE RANGE = -40° TO +105°

PACKING:
 TUBE

FOR COMPLETE SPECIFICATION SEE COMPONENT SPECIFICATION C018XX (LATEST ISSUE)



JMB	5	04.01.06	8948
NAME	ISS.	DATE	C/NOTE
APPROVED: <i>[Signature]</i>			
CHECKED: <i>[Signature]</i>			
DRAWN:		J. EVANS	
CUSTOMER REF.:			
ASSEMBLY DRG:			

HARWIN

HARWIN USA
 TEL: 603 893 5376
 FAX: 603 893 5396
 mts@harwin.com

HARWIN Europe (UK)
 TEL: 023 9231 4545
 FAX: 023 9231 4590
 mts@harwin.co.uk

HARWIN Asia
 TEL: +65 6 779 4909
 FAX: +65 6 779 3868
 mts@harwin.com.sg

THIS DRAWING AND ANY INFORMATION OR DESCRIPTIVE MATTER SET OUT HEREON ARE CONFIDENTIAL AND COPYRIGHT PROPERTY OF THE HARWIN GROUP AND MUST NOT BE DISCLOSED, LOANED, COPIED OR USED FOR MANUFACTURING, TENDERING OR FOR ANY OTHER PURPOSE WITHOUT THEIR WRITTEN PERMISSION.

TOLERANCES
 X. = $\pm 1\text{mm}$
 X.X = $\pm 0.25\text{mm}$
 X.XX = $\pm 0.10\text{mm}$
 X.XXX = $\pm 0.01\text{mm}$
 ANGLES = $\pm 5^\circ$
 UNLESS STATED

MATERIAL:
 SEE ABOVE
FINISH:
 SEE ABOVE
S/AREA: mm²

TITLE:
 200mm PITCH DIL
 VERTICAL SOCKET ASSEMBLY
DRAWING NUMBER:
M22-714XXXX

SHT
 3
 OF
 3