

**PLEASE CHECK WWW.MOLEX.COM FOR LATEST PART INFORMATION**

**Part Number:** [0850039028](#)  
**Status:** **Active**  
**Overview:** [din\\_41612](#)  
**Description:** 2.54mm (.100") Pitch DIN 41612 C Style Male Header, Right Angle, Through Hole, 0.60µm (24µ") Selective Gold (Au) Plating, 32 Circuits, without Mounting Clips, No Flux Proof, Lead free

**Documents:**

[Drawing \(PDF\)](#) [RoHS Certificate of Compliance \(PDF\)](#)

**Agency Certification**

CSA LR19980  
 UL E29179

**General**

Product Family Backplane Connectors  
 Series [85003](#)  
 Application Backplane  
 Comments No Mounting Clips. No Flux Proof. 5.4mm(.213") First-Mate-Last- Break Contacts. 4.8mm(.189") Normal Contacts  
 Component Type PCB Header  
 Overview [din\\_41612](#)  
 Product Name IEC 603-2/DIN 41612  
 Style C

**Physical**

Circuits (Loaded) 32  
 Circuits (maximum) 96  
 Circuits Detail Standard Contacts at: A:a4,a6,a8..a30;  
 C:c4,c6,c8...c30. First-Mate-Last-Break Contacts at:  
 Z:a2,a32,c2,c32  
 Color - Resin Gray  
 Durability (mating cycles max) 400  
 First Mate / Last Break Yes  
 Flammability 94V-0  
 Guide to Mating Part No  
 Keying to Mating Part Yes  
 Material - Metal Brass  
 Material - Plating Mating Gold  
 Material - Plating Termination Tin  
 Material - Resin Polyester  
 Number of Columns 16  
 Number of Pairs Open Pin Field  
 Number of Rows 3  
 Orientation Right Angle  
 PC Tail Length (in) 0.118 In  
 PC Tail Length (mm) 3.00 mm  
 PCB Locator No  
 PCB Retention Yes  
 PCB Thickness Recommended (in) 0.062 In  
 PCB Thickness Recommended (mm) 1.60 mm  
 Packaging Type Carton  
 Pitch - Mating Interface (in) 0.100 In  
 Pitch - Mating Interface (mm) 2.54 mm  
 Pitch - Term. Interface (in) 0.100 In

**EU RoHS**

**ELV and RoHS Compliant**

**REACH SVHC**

Not Reviewed

**Halogen-Free**

**Status**

**Not Reviewed**

**China RoHS**



**Need more information on product environmental compliance?**

Email [productcompliance@molex.com](mailto:productcompliance@molex.com)  
 For a multiple part number RoHS Certificate of Compliance, [click here](#)

Please visit the [Contact Us](#) section for any non-product compliance questions.

**Search Parts in this Series**

[85003Series](#)

Pitch - Term. Interface (mm)	2.54 mm
Plating min: Mating ( $\mu$ in)	24
Plating min: Mating ( $\mu$ m)	0.60
Plating min: Termination ( $\mu$ in)	98
Plating min: Termination ( $\mu$ m)	2.5
Polarized to PCB	Yes
Stackable	No
Temperature Range - Operating	-55°C to +125°C
Termination Interface: Style	Through Hole

### **Electrical**

Current - Maximum per Contact	2.5A
Data Rate	622.0 Mbps
Voltage - Maximum	250V AC (RMS)

### **Solder Process Data**

Duration at Max. Process Temperature (seconds)	10
Lead-free Process Capability	Wave Capable (TH only)
Process Temperature max. C	260

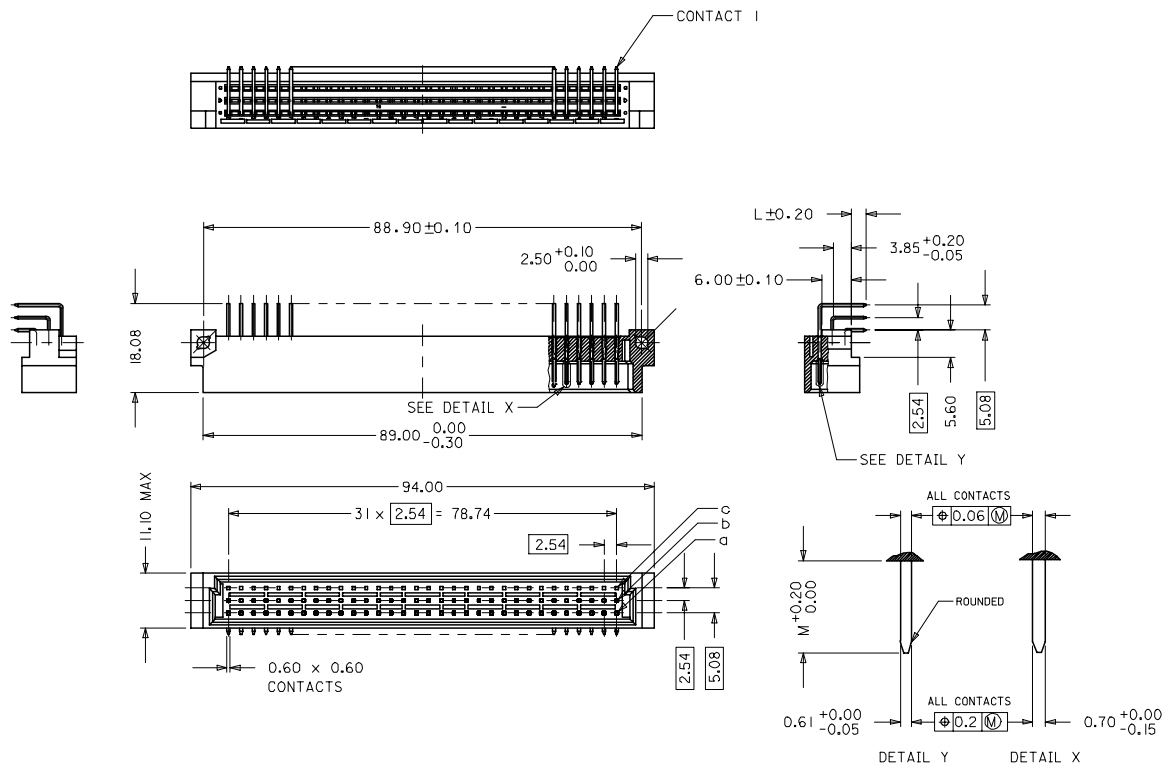
### **Material Info**

### **Reference - Drawing Numbers**

Sales Drawing	SD-85003-0001, SD-85003-9028
---------------	------------------------------

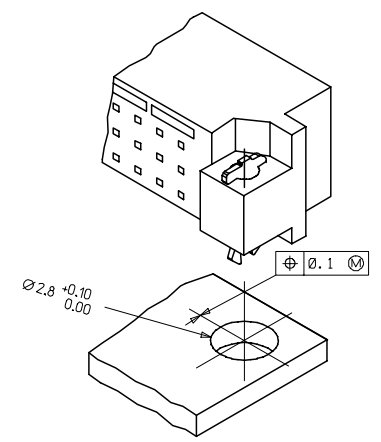
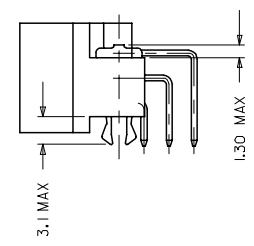
This document was generated on 05/17/2010

**PLEASE CHECK [WWW.MOLEX.COM](http://WWW.MOLEX.COM) FOR LATEST PART INFORMATION**



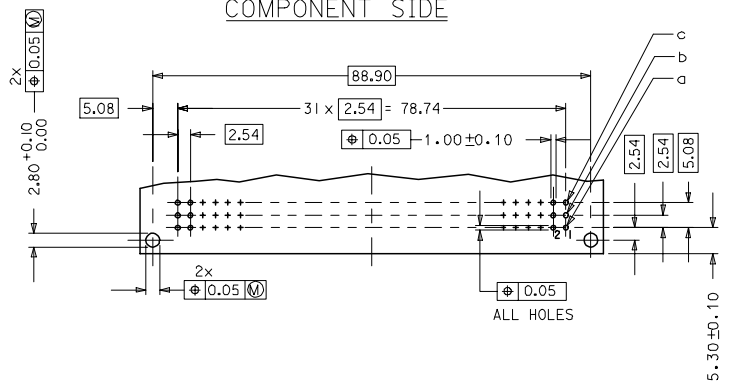
WITH MOUNTING CLIPS

8:1



- NOTES:
- 1) MATERIALS: THERMOPLASTIC POLYESTER, GLASS FILLED, UL94V-0, COLOUR: PEBBLE GREY RAL 7032  
TERMINAL - BRASS  
MOUNTING CLIP: STEEL
  - 2) FINISH: CONTACT AREA
    1. PERFORMANCE LEVEL 1: SELECTIVE GOLD (Au), THICKNESS = 1.1 MICROMETER OVER NICKEL, THICKNESS = 1.25 MICROMETER
    2. PERFORMANCE LEVEL 2: SELECTIVE GOLD (Au), THICKNESS = 0.6 MICROMETER OVER NICKEL, THICKNESS = 1.25 MICROMETER
    3. PERFORMANCE LEVEL 3: SELECTIVE GOLD (Au), THICKNESS = 0.3 MICROMETER OVER NICKEL, THICKNESS = 1.25 MICROMETER
 TERMINATION AREA : SELECTIVE TIN, THICKNESS = 2.5 MICROMETER OVER NICKEL, THICKNESS = 1.25 MICROMETER OVERALL
  - 3) MOUNTING CLIP:-  
TIN (Sn), THICKNESS = 5-10 MICROMETER,  
OVER NICKEL (Ni), THICKNESS = 2.5 MICROMETER
  - 4) FOR NON MOUNTING CLIP OPTION, CONNECTOR TO BE SECURED WITH RIVETS: 2 TUBULAR RIVETS 2.5 x 0.3 ... DIN 7340  
SCREWS: 2 CHEESEHEAD SCREWS M2.5 x .... DIN 84 AND 2 HEXAGONAL NUTS M2.5 DIN 934
  - 5) STANDARD MARKING : MOLEX, MATERIAL NUMBER, BATCH CODE
  - 6) CUT FACE OF TIP WITHOUT PLATING PERMITTED
  - 7) PRODUCT SPECIFICATION PS : 85003-0001

RECOMMENDED PCB LAYOUT  
COMPONENT SIDE



LMFB CONTACTS	4.2
FMLB CONTACTS	5.4
NORMAL CONTACTS	4.8
	M

RoHS COMPLIANT

ENTER DESCRIPTION ELC.MC.12007-0193 DRAWING NO. 2007/01/08 CHECKED BY CHOKKOSUDHAR APPROVED BY (APPROPRIATE)	QUALITY SYMBOLS ▽=0 ▽=0	GENERAL TOLERANCES (UNLESS SPECIFIED)		DIMENSION STYLE MM ONLY		SCALE 2:1	DESIGN UNITS METRIC	THIRD ANGLE PROJECTION
		4 PLACES ± --- ± --- 3 PLACES ± 0.05 ± --- 2 PLACES ± 0.1 ± --- 1 PLACE ± 0.15 ± ---	INCH ± --- ± --- ± ---	DRAWN BY SS	DATE 1999/09/09	CHECKED BY G.J.LOWE	DATE 1999/09/09	ASSEMBLY, DIN 41612 C MALE 96 POS
DRAFT WHERE APPLICABLE MUST REMAIN WITHIN DIMENSIONS	SIZE A 1	SEE CHART		MATERIAL NO. SD-85003-0001		MOLEX INCORPORATED		
D1	REV	THIS DRAWING CONTAINS INFORMATION THAT IS PROPRIETARY TO MOLEX INCORPORATED AND SHOULD NOT BE USED WITHOUT WRITTEN PERMISSION		DOCUMENT NO.		SHEET NO. 1 OF 12		

20 19 18 17 16 15 14 13 12 11 9 8 7 6 5 4 3 2 1

VIEW ON MATING SIDE

32	31	30	29	28	27	26	25	24	23	22	21	20	19	18	17	16	15	14	13	12	11	10	9	8	7	6	5	4	3	2	1	
Z	A	A	A	A	A	A	A	A	A	A	A	A	A	A	A	A	A	A	A	A	A	A	A	A	A	A	A	A	A	A	A	A
Z	C	C	C	C	C	C	C	C	C	C	C	C	C	C	C	C	C	C	C	C	C	C	C	C	C	C	C	C	C	C	C	

A = 14 STANDARD CONTACTS L = 3  
 C = 14 STANDARD CONTACTS L = 3  
 Z = 4 FMLB CONTACTS +0.6 L = 3  
 S = 32 TOTAL NUMBER OF CONTACTS

MARKING	STANDARD
PERFORMANCE LEVEL	G2/O = CONTACT AREA LEVEL2 / TERMINATION TIN
FLUX PROOF	NO
FIXING CLIP	NO
DIMENSIONS	SD-85003-0001 SHT 1

Z	G2/O	a2,32	c2,32
C	G2/O	c4,6,8....30	
A	G2/O	a4,6,8....30	
CONTACT SYMBOL	PERFORMANCE LEVEL	CONTACT POSITION NUMBER	

EC NO.1 2004-XXXX DRAWN N.S. 09/09/03 CHK'd G.L. 09/09/03 APPR. G.L. 09/09/03	QUALITY SYMBOLS MAJOR CRITICAL	GENERAL TOLERANCES: (UNLESS SPECIFIED)		SCALE	DESIGN UNITS	THIRD ANGLE PROJECTION		DIMENSIONS:		SHT	REV	
					<input checked="" type="checkbox"/> MM <input type="checkbox"/> INCH	<input type="checkbox"/> INCH <input checked="" type="checkbox"/> MM		<input type="checkbox"/> INCH <input type="checkbox"/> MM	<input checked="" type="checkbox"/> INCH ONLY		REVISE ON CAD ONLY	
		4 PLACES	±0.	±.		DRAWN BY & DATE	TITLE: 96 POS MALE CONNECTOR					
		3 PLACES	±0.	±.		CHECKED BY & DATE	ACCORDING DIN 41612 STYLE C CONTACTS ARRANGEMENT					
2 PLACES	±0.	±.		APPROVED BY & DATE	MOLEX INCORPORATED							
1 PLACE	±0.	±.			CAD FILENAME	MATERIAL NO.	DRAWING NO.	SHEET NO.				
					SD-850039028.S01	85003-9028	SD-85003-9028	1 OF 1				
DRAFT WHERE APPLICABLE MUST REMAIN WITHIN DIMENSIONS		THIS DRAWING CONTAINS INFORMATION THAT IS PROPRIETARY TO MOLEX INCORPORATED AND SHOULD NOT BE USED WITHOUT WRITTEN PERMISSION.										

19 18 17 16 15 14 13 12 11 10 9 8 7 6 5 4 3 2 1