

**PLEASE CHECK WWW.MOLEX.COM FOR LATEST PART INFORMATION**

**Part Number:** [0357030360](#)  
**Status:** **Active**  
**Description:** 4.75mm (.187") Tab Slip-on Terminal, 16-20 AWG, for 0.81mm (.032") Tab Thickness, Brass, Lead-free, Post-Tin (Sn) Plating

**Documents:**

[Drawing \(PDF\)](#) [RoHS Certificate of Compliance \(PDF\)](#)  
[Product Specification PS-35703-001 \(PDF\)](#)

**General**

Product Family	Quick Disconnects
Series	<a href="#">35703</a>
Crimp Quality Equipment	Yes
Product Name	Slip-On
Type	Quick Disconnect

**Physical**

Barrel Type	Open
Gender	Female
Glow-Wire Compliant	No
Insulation	None
Lock to Mating Part	None
Material - Metal	Brass
Material - Plating Mating	Tin
Material - Plating Termination	Tin
Orientation	Straight
Packaging Type	Reel
Plating min: Mating (µin)	40
Plating min: Mating (µm)	1
Plating min: Termination (µin)	40
Plating min: Termination (µm)	1
Polarized to Mating Part	No
Tab Thickness	0.81mm (.032")
Tab Width	4.75mm (.187")
Termination Interface: Style	Crimp or Compression
Wire Insulation Diameter	3.50mm (.138") max.
Wire Size AWG	16, 18, 20
Wire Size mm <sup>2</sup>	0.50 - 1.30

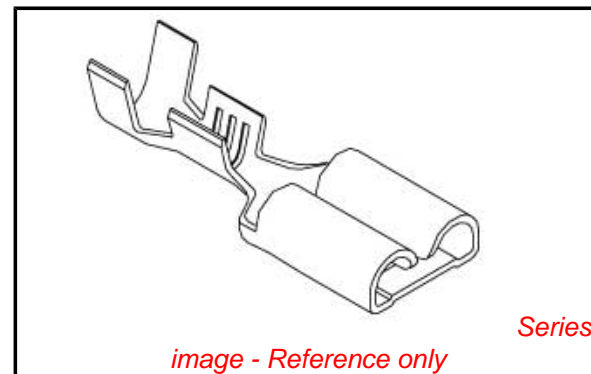
**Electrical**

Voltage - Maximum	N/A
-------------------	-----

**Material Info**

**Reference - Drawing Numbers**

Product Specification	PS-35703-001
Sales Drawing	SD-35703-003



**EU RoHS**

**ELV and RoHS Compliant**  
**REACH SVHC Contains SVHC: No**  
**Halogen-Free Status**  
**Halogen-Free**

**China RoHS**



**Need more information on product environmental compliance?**

Email [productcompliance@molex.com](mailto:productcompliance@molex.com)  
 For a multiple part number RoHS Certificate of Compliance, [click here](#)

Please visit the [Contact Us](#) section for any non-product compliance questions.

**Search Parts in this Series**

[35703Series](#)

**Use With**

4.75mm (.187") Tab

DWG. NO.  
SD-35703-003

SIMILAR ITEM

PROJECT NO.

B

DO NOT SCALE DRAWING  
DIMENSION IN METRIC

8 7 6 5 4 3 2 1

F

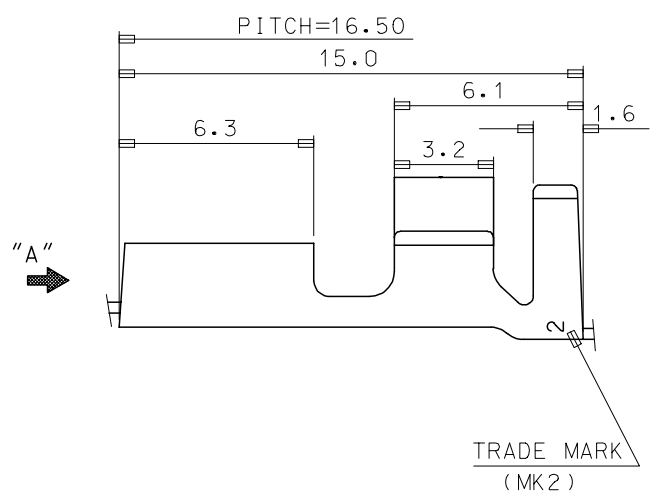
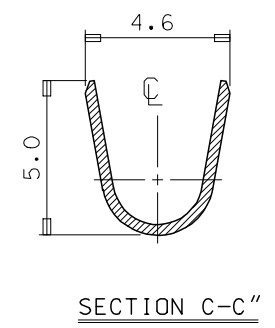
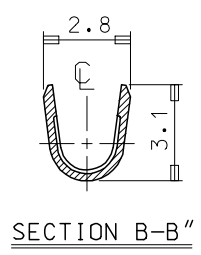
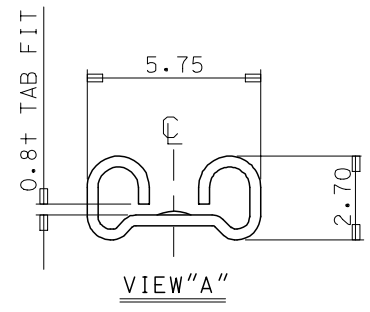
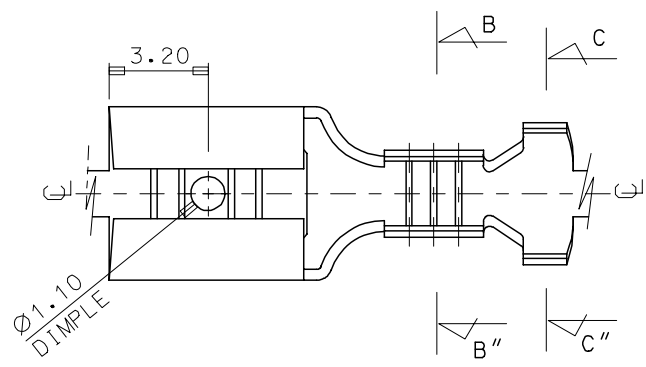
E

D

C

B

A



NOTES

1. MATERIAL : BRASS, 0.3mm THICKNESS
2. FINISH : POST-TIN PLATED (LEAD FREE)  
(1.0 MICROMETER MIN. OVER 0.3MICROMETER MIN. COPPER)

REVISED ECN NO. KOR2005-0198 DRWN: J.B.JIN 05/04/29 CHK: W.Y.YANG APPR: C.W.LEE	DESCRIPTION MAJOR CRITICAL	QUALITY SYMBOLS		GENERAL TOLERANCES: (UNLESS SPECIFIED)		SCALE 6:1	DESIGN UNITS <input checked="" type="checkbox"/> mm <input type="checkbox"/> INCH	THIRD ANGLE PROJECTION	DIMENSIONS: <input type="checkbox"/> mm <input type="checkbox"/> INCH <input checked="" type="checkbox"/> mm ONLY		SHT	REV
		4 PLACES	±0.	±-	mm	INCH	DRAWN BY & DATE J.B.JIN 04/09/30		TITLE: .187 SLIP-ON REC' TERMINAL			
A1	REV	3 PLACES	±0.	±-	CHECKED BY & DATE W.Y.YANG 04/09/30		MOLEX INCORPORATED					
		2 PLACES	±0.30	±-	APPROVED BY & DATE C.W.LEE 04/09/30		CAD FILENAME S7030360A.AMI	MATERIAL NO. 357030360	DRAWING NO. SD-35703-003	SHEET NO. 1 OF 1		
		1 PLACE	±0.20	±-	ANGULAR: ± °		THIS DRAWING CONTAINS INFORMATION THAT IS PROPRIETARY TO MOLEX INCORPORATED AND SHOULD NOT BE USED WITHOUT WRITTEN PERMISSION.				SIZE B	
		DRAFT WHERE APPLICABLE MUST REMAIN WITHIN DIMENSIONS				KOREA				MX-A3		

LEAD FREE

8 7 6 5 4 3 2 1 KOREA MX-A3