

TECHNICAL DATA
Preliminary Data Rev.-

POWER OPERATIONAL AMPLIFIER

Applications:

- Motor Drivers • Servo Amplifiers • Magnetic Deflection • Audio

Features:

- 10A Peak Current
- Supply Range $\pm 10V$ to $\pm 40V$
- Programmable Current Limit
- Replacement for OPA541, OMA541, MSK541
- Wide Range of Available Packages
- Hermetic and Non-Hermetic Versions Available
- MIL-STD-883 Screening Available

Maximum Ratings:

Supply Voltage, V_s	$\pm 40V$
Continuous Output Current	5A
Power Dissipation, Internal	125W
Case Operating Temperature Range	$-55^{\circ}C$ to $125^{\circ}C$
Storage Temperature Range	$-55^{\circ}C$ to $150^{\circ}C$
Junction Temperature	$150^{\circ}C$
Differential-Mode Input Voltage	$\pm V_s$
Common-Mode Input Voltage	$\pm V_s$

Electrical Characteristics:

Characteristics	Symbol	Condition	Max.	Units
Max. Forward Voltage Drop	V_{F1}	@ 1A, Pulse, $T_J = 25^{\circ}C$	0.56	V
	V_{F2}	@ 1A, Pulse, $T_J = 125^{\circ}C$	0.51	V
Max. Reverse Current	I_{R1}	@ $V_R = 45V$, Pulse, $T_J = 25^{\circ}C$	100	μA
	I_{R2}	@ $V_R = 45V$, Pulse, $T_J = 125^{\circ}C$	4.5	mA
Max. Junction Capacitance	C_T	@ $V_R = 5V$, $T_C = 25^{\circ}C$ $f_{SIG} = 1MHz$, $V_{SIG} = 50mV$ (p-p)	53	pF

TECHNICAL DATA

Characteristics	Symbol	Condition ¹	Grp. A	Min.	Max.	Units
Input offset voltage	V _{IO}	T _A = +25°C	1	-1	+1	mV
Input offset voltage drift	ΔV _{IO} /ΔT	T _A = -55°C and +125°C	2,3	-30	+30	μV/°C
Input bias current	±I _{IB}		1	-50	+50	pA
			2,3	-50	+50	nA
Input offset current	I _{OS}		1	-30	+30	pA
			2,3	-20	+20	nA
Power supply rejection ratio	+PSRR	-V _{CC} = -34V dc, +V _{CC} = +10 V to +40 V dc	1	-10	+10	μV/V
			2,3	-20	+20	
	-PSRR	+V _{CC} = +34V dc, -V _{CC} = -10 V to -40 V dc	1	-10	+10	μV/V
			2,3	-20	+20	
Common mode rejection ratio	CMRR	V _{CM} = ±22 V dc, f = dc	1	95		dB
			2,3	90		
Supply currents	±I _{CC}	V _{CM} = 0 V, no load condition	1,2,3	-30	+30	mA
Output voltage peak	V _{OP}	I _O = 5 A peak, R _L = 5.6Ω, 10 kHz sine wave, T _A = +25°C	4	±28.0		V
		R _L = 10Ω, 10 kHz sine wave, T _A = -55°C and +125°C	5,6	±30		
Output current peak	I _{OP}	R _L = 5.6Ω, V _{OUT} = ±28 V, T _A = +25°C 2/	4	±5		A
		R _L = 10Ω, V _{OUT} = ±30 V T _A = -55°C and +125°C 2/ 3/	5,6	±3		
Voltage gain	A _{VS}	R _L = 10 kΩ	4	95		dB
			5,6	86		
Slew rate	±SR	R _L = 10.0Ω, T _A = +25°C	7	±6		V/μs

¹ -55°C ≤ T_A ≤ +125°C, ±V_{CC} = ±34 V dc unless otherwise specified

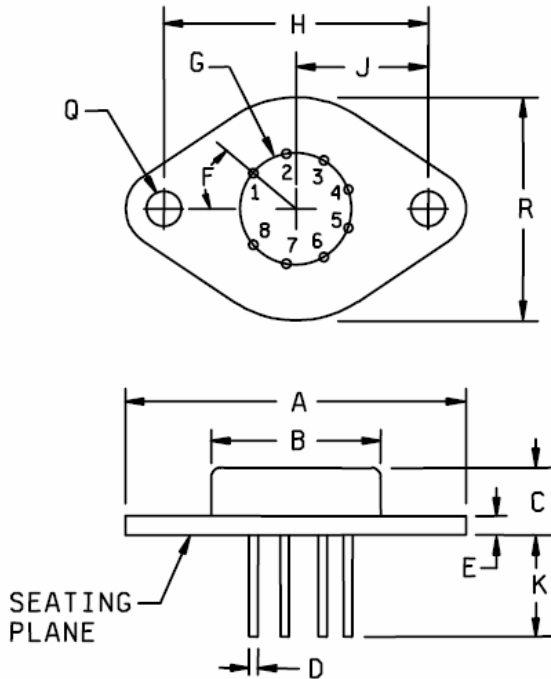
² Internal current limit circuitry is controlled by a single external resistor, R_{CL}. To calculate the value of the current limit resistor, use R_{CL}= (0.809/I_{LIM}) - 0.057, where I_{LIM} is equal to the desired output current (I_{OP}).

³ Test can be performed using R_L= 10 kΩ with a minimum limit of ±3 mA.

SENSITRON SEMICONDUCTOR

SEN-0541

TECHNICAL DATA



Symbol	Inches		Millimeters	
	Min	Max	Min	Max
A	1.510	1.550	38.35	39.37
B	.745	.770	18.92	19.56
C	.260	.340	6.60	8.64
D	.038	.042	0.97	1.07
E	.080	.105	2.03	2.67
F	40° BSC		40° BSC	
G	.500 BSC		12.7 BSC	
H	1.186 BSC		30.12 BSC	
J	.593 BSC		15.06 BSC	
K	.400	.500	10.16	12.70
Q	.151	.161	3.84	4.09
R	.980	1.020	24.89	25.91

**OTHER PACKAGES ARE AVAILABLE. PLEASE CONSULT FACTORY.*

DISCLAIMER:

- 1- The information given herein, including the specifications and dimensions, is subject to change without prior notice to improve product characteristics. Before ordering, purchasers are advised to contact the Sensitron Semiconductor sales department for the latest version of the datasheet(s).
- 2- In cases where extremely high reliability is required (such as use in nuclear power control, aerospace and aviation, traffic equipment, medical equipment, and safety equipment), safety should be ensured by using semiconductor devices that feature assured safety or by means of users' fail-safe precautions or other arrangement.
- 3- In no event shall Sensitron Semiconductor be liable for any damages that may result from an accident or any other cause during operation of the user's units according to the datasheet(s). Sensitron Semiconductor assumes no responsibility for any intellectual property claims or any other problems that may result from applications of information, products or circuits described in the datasheets.
- 4- In no event shall Sensitron Semiconductor be liable for any failure in a semiconductor device or any secondary damage resulting from use at a value exceeding the absolute maximum rating.
- 5- No license is granted by the datasheet(s) under any patents or other rights of any third party or Sensitron Semiconductor.
- 6- The datasheet(s) may not be reproduced or duplicated, in any form, in whole or part, without the expressed written permission of Sensitron Semiconductor.
- 7- The products (technologies) described in the datasheet(s) are not to be provided to any party whose purpose in their application will hinder maintenance of international peace and safety nor are they to be applied to that purpose by their direct purchasers or any third party. When exporting these products (technologies), the necessary procedures are to be taken in accordance with related laws and regulations.