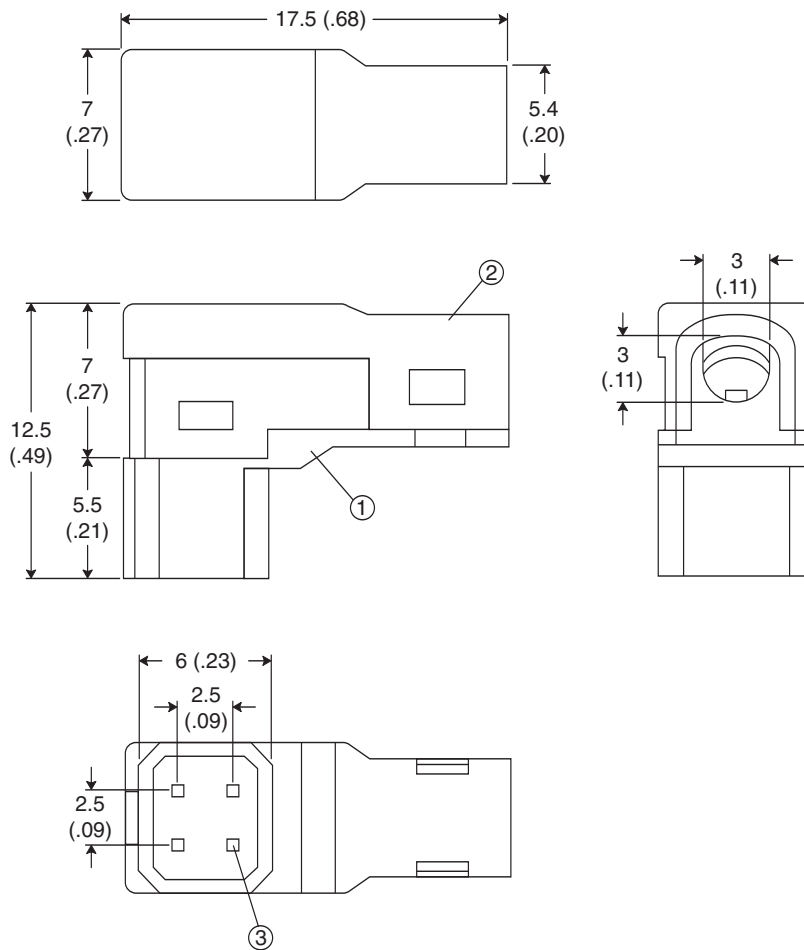


# Camera Plug

## 163-196J



Camera Plug



Part	Material	Finish
Body (1)	PBT	---
Cover (2)	PBT	---
Plug Pin (3)	Brass	Ag

Dimensions: mm (In.)

ELECTRICAL SPECIFICATIONS	
<b>Rating:</b>	0.5A 30VDC
<b>Withstand Voltage:</b>	150VAC for 1 minute
<b>Contact Resistance:</b>	20m $\Omega$ Max.
<b>Insulation Resistance:</b>	100 VDC, 100M $\Omega$ above
<b>Operation Temperature:</b>	-10°C ~ +70°C
<b>Cable Size:</b>	$\phi$ 3.0mm (.11")

Date Last Revised: 4/7/05

Available from Mouser Electronics  
1-800-346-6873  
www.mouser.com

KC- 300266

163-196J