

PLEASE CHECK WWW.MOLEX.COM FOR LATEST PART INFORMATION

Part Number: [0511181605](#)
Status: **Active**
Description: 4.00mm (.158") Wire-to-Wire Retainer, 16 circuits

Documents:

[Drawing \(PDF\)](#) [RoHS Certificate of Compliance \(PDF\)](#)
[Product Specification PS-51115-001 \(PDF\)](#)

General

Product Family	Accessories
Series	51118
Component Type	Retainer
Product Name	N/A

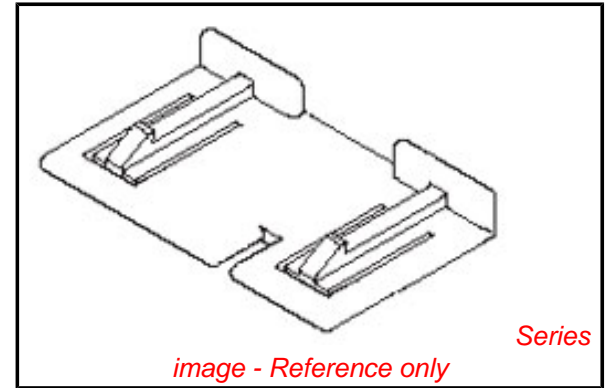
Physical

Circuits (Loaded)	16
Color - Resin	Gray
Material - Resin	Polyester
Packaging Type	Bag

Material Info

Reference - Drawing Numbers

Product Specification	PS-51115-001
Sales Drawing	SD-51118-**0*



EU RoHS

**ELV and RoHS
Compliant**
**REACH SVHC
Contains SVHC: No
Halogen-Free
Status**

China RoHS



**Need more information on product
environmental compliance?**

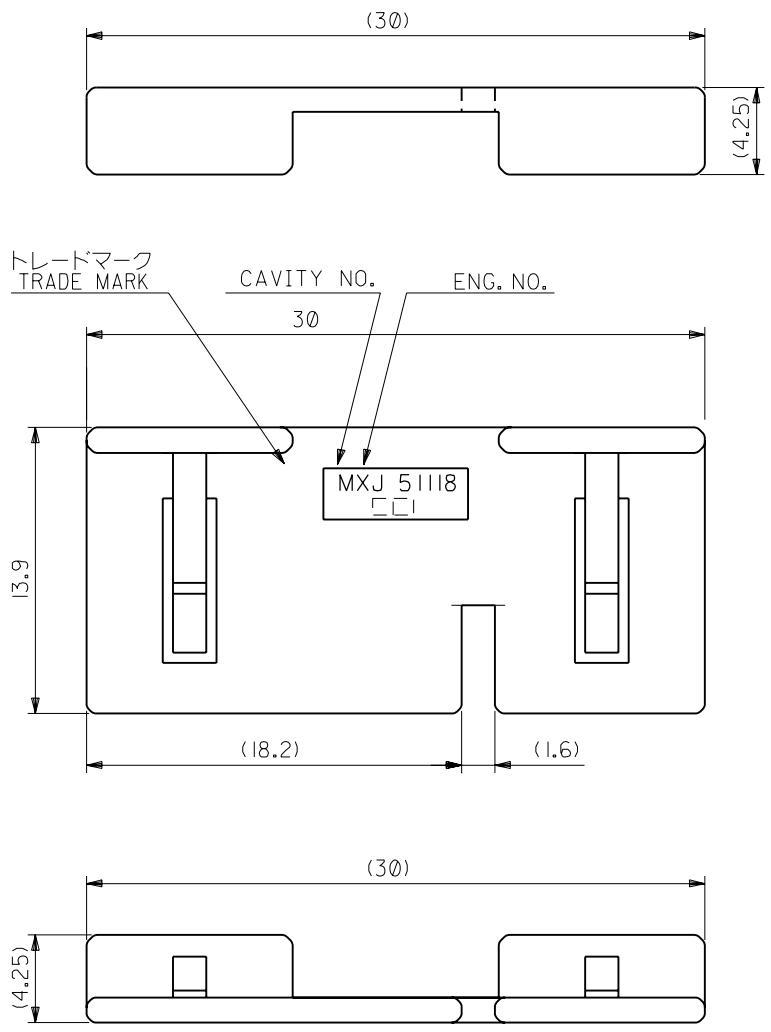
Email productcompliance@molex.com
 For a multiple part number RoHS Certificate of
 Compliance, [click here](#)

Please visit the [Contact Us](#) section for any
 non-product compliance questions.

Search Parts in this Series
 51118Series

DWG. NO. SD-51118-***0**

ALL DIMENSIONS IN METRIC DO NOT SCALE DRAWING



注記
NOTES

- 1. 適合ターミナル : 50420-8*00
APPLICABLE TERMINAL : 50420-8*00
- 2. 適合ハウジング : 51116-1601
APPLICABLE HOUSING : 51116-1601

51118-1605	16
ENG. NO.	NO. OF CKT.

角度 ANGLE		±3°			材料 MATERIAL		PBTP,UL94V-0 (灰色 ,GRAY)	
30 以上 OVER		+0.3			仕上げ FINISH		—H—	
10 以上 OVER 30 未満 UNDER		+0.25			適用電線範囲 WIRE RANGE		—H—	
10 未満 UNDER		+0.2			被覆外径 INS. RANGE		—H—	
一般公差 GENERAL TOLERANCES		0	新規作成 (J45066) RELEASED		K.F. M.S.	DR. DATE	APP'D BY '94/3/4 M.ENOMOTO	CHK'D BY '94/3/4 M.SANO M.SAKANO
			記号 LTR		変更内容 REVISION RECORD		DR. DATE	
							材料 MATERIAL	
							仕上がり FINISH	
							適用電線範囲 WIRE RANGE	
							被覆外径 INS. RANGE	
							DRAWN BY '94/3/3 K.FURUYAMA	
							CHK'D BY '94/3/4 M.SANO M.SAKANO	
							DWG. NO.	
							SD-51118-***0**	
							REV	
							0	