

PLEASE CHECK WWW.MOLEX.COM FOR LATEST PART INFORMATION

Part Number: [0505427125](#)
Status: **Active**
Description: Ring Tongue Terminal for 3/0 AWG, Closed Uninsulated Brazed Barrel, Stud Size 5/16" (M8), Oxygen-Free Copper, Length 54.20mm (2.134")

Documents:

[Drawing \(PDF\)](#) [RoHS Certificate of Compliance \(PDF\)](#)
[Product Specification PS-50541-002 \(PDF\)](#)

General

Product Family	Ring and Spade Terminals
Series	50542
Crimp Quality Equipment	Yes
Mil-Spec	N/A
Product Name	R (Ring)
Type	Ring

Physical

Barrel Type	Closed - Brazed
Insulation	None
Material - Plating Mating	Tin
Packaging Type	Bag
Stud Size	5/16" (M8)
Wire Size AWG	3/0
Wire Size mm ²	76.28 - 96.3

Material Info

Reference - Drawing Numbers

Product Specification	PS-50541-002
Sales Drawing	SD-50542-001



Series

image - Reference only

EU RoHS

ELV and RoHS Compliant
REACH SVHC
 Not Reviewed
Halogen-Free Status
 Not Reviewed

China RoHS



Need more information on product environmental compliance?

Email productcompliance@molex.com
 For a multiple part number RoHS Certificate of Compliance, [click here](#)

Please visit the [Contact Us](#) section for any non-product compliance questions.

Search Parts in this Series

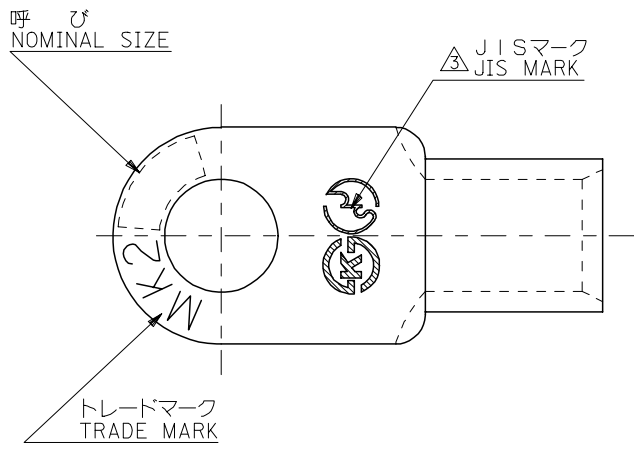
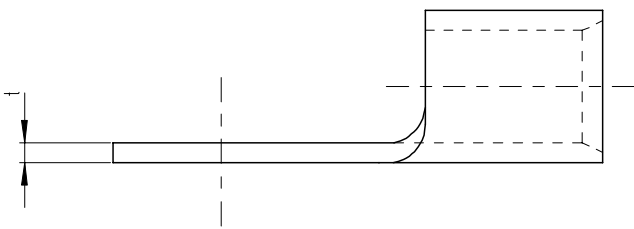
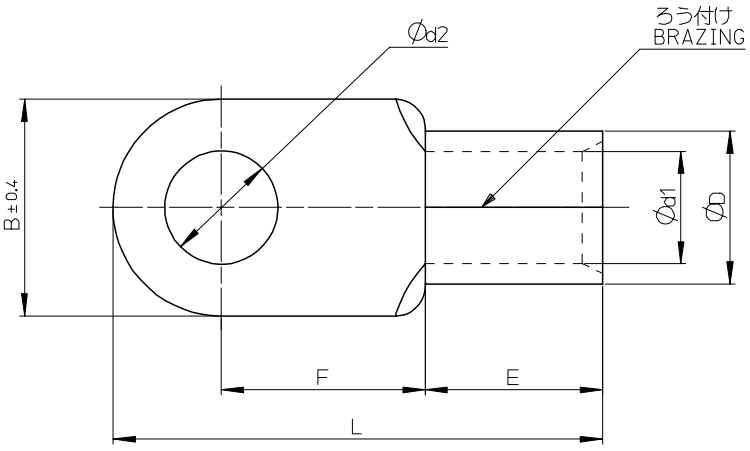
[50542Series](#)

Application Tooling | [FAQ](#)

Tooling specifications and manuals are found by selecting the products below. Crimp Height Specifications are then contained in the Application Tooling Specification document.

Japan

Description	Product #
Tool Kit For 57343-9012	0573439001
Battery Type Hand Crimper For JIS Terminal	0573439004



注記 NOTES

- 1 材質 MATERIAL
 端子：無酸素銅、錫めっき
 TERMINAL: OXYGEN-FREE COPPER, TIN PLATING
 ろう付け部：銀ろう
 PART OF BRAZING : SILVER SOLDER
- 2 適用電線 APPLICABLE WIRE RANGE

単線 SOLID WIRE	撚線 STRANDED WIRE
9.27-10.41 mm	76.28-96.3 mm ²

△ JIS認定品にのみ刻印。
 DIE STAMPED MARK IS ALLOWED ONLY
 FOR JIS FILED PRODUCTS.

	2.35 ^{+0.22} _{-0.1}	25 ^{+0.4} _{-0.1}	68 ±1	32 ±0.8	20 ±0.8	14.5 ±0.5	19.5 ±0.5	32	80	24	50542-7226
		21 ^{+0.4} _{-0.1}								20	50542-7126
		19 ^{+0.4} _{-0.1}								18	50542-7026
JIS	2.3 MN	17 ^{+0.4} ₀	69 MAX	21.5 MN 20 MN	18.5 MN	14.5 ±0.4	19.5 ^{+0.5} _{-0.2}			16	50542-7925
		15 ^{+0.4} ₀								14	50542-7825
	2.35 ^{+0.22} _{-0.1}	13 ^{+0.4} _{-0.1}	68 ±1	32 ±0.8	20 ±0.8	14.5 ±0.5	19.5 ±0.5	27	80	L12	50542-7725
		10.5 ^{+0.4} _{-0.1}								L10	50542-7625
		8.4 ^{+0.4} _{-0.1}								L8	50542-7525
JIS	2.3 MN	13 ^{+0.4} ₀	55 MAX	18.5 MN	18.5 MN	14.5 ±0.4	19.5 ^{+0.5} _{-0.2}			12	50542-7425
	2.35 ^{+0.22} _{-0.1}	11.5 ^{+0.4} _{-0.1}	54.2 ±1	20.7 ±0.8	20 ±0.8	14.5 ±0.5	19.5 ±0.5			11	50542-7325
JIS	2.3 MN	10.5 ^{+0.4} ₀	55 MAX	15.5 MN	18.5 MN	14.5 ±0.4	19.5 ^{+0.5} _{-0.2}	27	80	10	50542-7225
		8.4 ^{+0.4} _{-0.1}								8	50542-7125
		6.4 ^{+0.4} _{-0.1}								6	50542-7025
△	t	Ød2	L	F	E	Ød1	ØD	B	呼 び NOMINAL SIZE	呼 び NOMINAL SIZE	ENG. NO.

RELEASED EC NO: J2007-0312 DR: N. H. YAJIMA 2007/05/17 CHK: K. KASAHARA 2007/05/18 APPR: N. UKITA 2007/05/18 REV 0	GENERAL TOLERANCES (UNLESS SPECIFIED)		DIMENSION STYLE MM ONLY		SCALE ---	DESIGN UNIT'S METRIC	THIRD ANGLE PROJECTION	
	10 UNDER	± ---	DRAWN BY H. YAJIMA	DATE '06/08/22	TITLE RING TERMINAL			
	10 OVER 30 UNDER	± ---	CHECKED BY K. KASAHARA	DATE '06/08/22	MATERIAL NO. SEE CHART			
	30 OVER	± ---	APPROVED BY N. UKITA	DATE '06/08/22	DOCUMENT NO. SD-50542-001			
	ANGULAR	± --- °	MATERIAL NO. SEE CHART		DOCUMENT NO. SD-50542-001		SHEET NO. 1 OF 1	
DRAFT WHERE APPLICABLE MUST REMAIN WITHIN DIMENSIONS		THIS DRAWING CONTAINS INFORMATION THAT IS PROPRIETARY TO MOLEX INCORPORATED AND SHOULD NOT BE USED WITHOUT WRITTEN PERMISSION						