

Boost type Voltage Regulator with Reset R1151N SERIES

■ OUTLINE

The R1151N Series are CMOS-based boost type voltage regulator ICs with high output voltage accuracy, low supply current, and high ripple rejection. Each of these voltage regulator controllers consists of a voltage reference unit, an error amplifier, comparators, resistors for output and reset voltage setting, a current limit protection circuit, and a chip enable circuit.

In addition to low consumption current by CMOS process, the chip enable function prolongs the battery life. Dynamic response and ripple rejection of the R1151N Series are excellent, further these are low noise type, plus maximum operating input voltage tolerance is up to 18.5V, thus these ICs are very suitable for the power supply for hand-held equipment and other power management applications using AC adapter input voltage.

The output voltage of these ICs is internally fixed with high accuracy. Since the package for these ICs are SOT-23-6 (Mini-mold) package, high density mounting of the ICs on boards is possible.

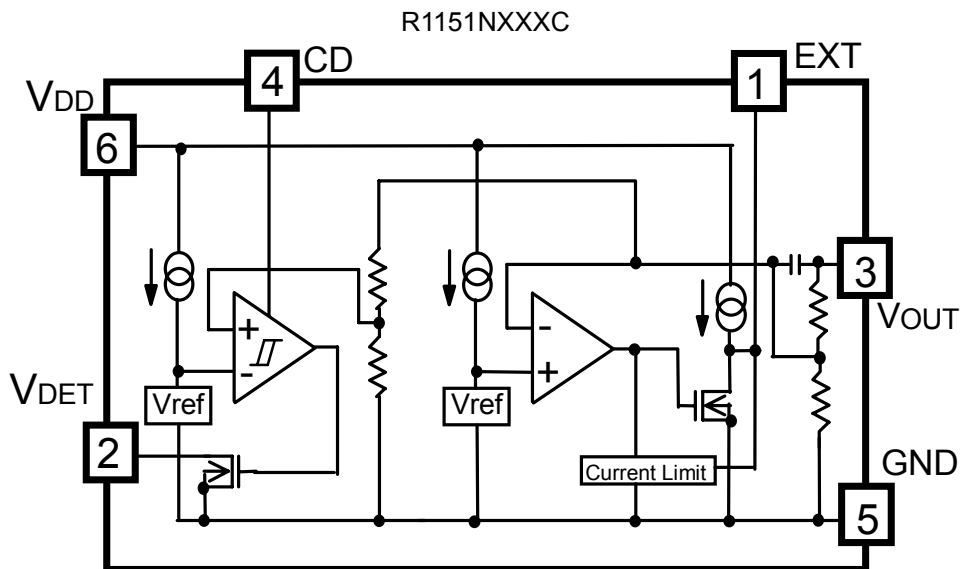
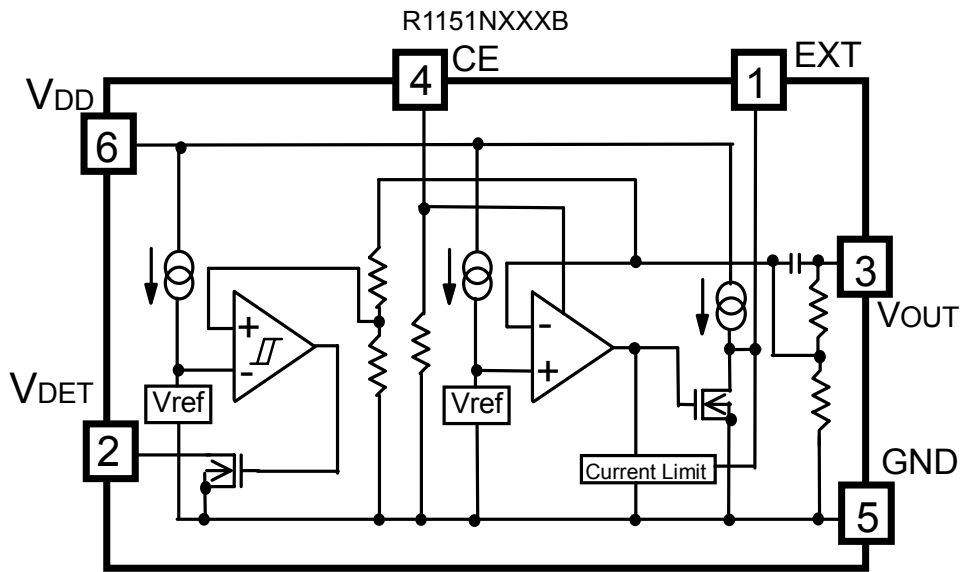
■ FEATURES

- Ultra-Low Supply Current..... TYP. 70 μ A (I_{OUT}=0mA)
- Standby Mode TYP. 0.1 μ A
- Low Dropout Voltage TYP. 0.1V(I_{OUT}=100mA *Depends on External Transistor)
- High Ripple Rejection TYP. 60dB(f=1kHz)
- Low Temperature-Drift Coefficient of Output Voltage TYP. \pm 100ppm/ $^{\circ}$ C
- High Output Voltage Accuracy..... \pm 2.0%
- Excellent Dynamic Response
- Small PackageSOT-23-5(Mini-mold)
- Output Voltage.....Stepwise setting with a step of 0.1V in the range of 2.5V to 9.0V
- Built-in chip enable circuit (2 types; A: active low , B: active high)
- Output CapacitorTantalum type recommendation (or Ceramic + Series Resistor)
- Built-in output voltage detector.....with delay (C version)
- Detector Threshold Tolerance \pm 2.5%
- Detector Threshold Voltage Stepwise setting with a step of 0.1V in the range of 1.7V to 8.0V
- Operating Input VoltageMax. 18.5V

■ APPLICATIONS

- Power source for handheld equipment such as cameras and videos.
- Power source for home appliances.
- Power source for battery-powered equipment.

■ BLOCK DIAGRAMS



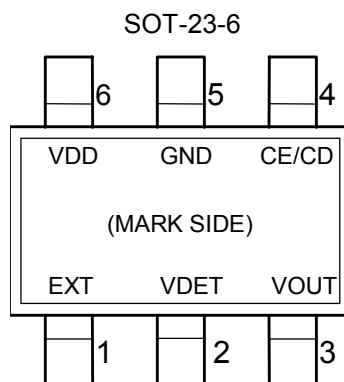
SELECTION GUIDE

The output voltage, mask option code, and the taping type for the ICs can be selected at the user's request. The selection can be made with designating the part number as shown below;

R1151NXXXX-XX ←Part Number
 ↑ ↑ ↑
 a b c

Code	Contents
a	Code Number for Voltage Setting
b	Setting mask option : A: with \overline{CE} (active at "L" type) B: with CE (active at "H" type) C: with the pin for external capacitor to set the output delay of voltage detector
c	Designation of Taping Type : Ex. TR (Refer to Taping Specifications.)

PIN CONFIGURATION



PIN DESCRIPTIONS

Pin No.	Symbol	Description
1	EXT	External Transistor Drive Pin
2	VDET	Voltage Detector Output Pin
3	V _{OUT}	Voltage Regulator Output pin
4	\overline{CE} or CE	Chip Enable Pin(A/B version)
4	CD	Pin for External capacitor to set Output Delay of Voltage Detector(C version)
5	GND	Ground Pin
6	V _{DD}	Input Pin

■ ABSOLUTE MAXIMUM RATINGS

Item	Symbol	Rating	Unit
Input Voltage	V_{IN}	20	V
Input Voltage(\overline{CE} /CE/CD Pin)	$V_{CE/CD}$	-0.3 ~ $V_{IN}+0.3$	V
Output Voltage(V_{OUT} Pin)	V_{OUT}	-0.3 ~ $V_{IN}+0.3$	V
Output Voltage(EXT Pin)	V_{EXT}	-0.3 ~ $V_{IN}+0.3$	V
Output Voltage(V_{DET} Pin)	V_{DET}	-0.3 ~ $V_{IN}+0.3$	V
EXT Output Current	I_{EXT}	30	mA
Power Dissipation	P_D	150	mW
Operating Temperature Range	T_{opt}	-40 ~ 85	°C
Storage Temperature Range	T_{stg}	-55 ~ 125	°C

■ ELECTRICAL CHARACTERISTICS

● R1151NXXXA/B

$T_{opt}=25^{\circ}\text{C}$

Symbol	Item	Conditions	MIN.	TYP.	MAX.	Unit
V_{OUT}	Output Voltage	$V_{IN} = \text{Set } V_{OUT}+1\text{V}$ $I_{OUT} = 50\text{mA}$	V_{OUT} $\times 0.98$		V_{OUT} $\times 1.02$	V
I_{OUT}	Output Current	$V_{IN} - V_{OUT} = 1.0\text{V}$		1 ^{Note}		A
$\Delta V_{OUT}/\Delta I_{OUT}$	Load Regulation	$V_{IN} = \text{Set } V_{OUT}+1\text{V}$ $1\text{mA} \leq I_{OUT} \leq 100\text{mA}$	Refer to the Load Regulation Table			
V_{DIF}	Dropout Voltage	$I_{OUT} = 100\text{mA}$		0.1 ^{Note}	0.2	V
I_{SS}	Supply Current	$V_{IN} = \text{Set } V_{OUT}+1\text{V}, I_{OUT} = 0\text{mA}$		70	100	μA
$I_{standby}$	Supply Current (Standby)	$V_{IN} = 18.5\text{V}$		15		μA
$I_{EXTleak}$	EXT Leakage Current				0.5	μA
$\Delta V_{OUT}/\Delta V_{IN}$	Line Regulation	Set $V_{OUT}+0.5\text{V} \leq V_{IN} \leq 18.5\text{V}$ $I_{OUT} = 50\text{mA}$	0	0.02	0.10	%/V
RR	Ripple Rejection	$f = 1\text{kHz}$, Ripple 0.5Vp-p $V_{IN} = \text{Set } V_{OUT}+1\text{V}$		60		dB
V_{IN}	Input Voltage				18.5	V
$\Delta V_{OUT}/\Delta T$	Output Voltage Temperature Coefficient	$I_{OUT} = 10\text{mA}$ $-40^{\circ}\text{C} \leq T_{opt} \leq 85^{\circ}\text{C}$		± 100		ppm/ °C
I_{lim}	Current Limit	Base Current I_B of PNP Tr. $V_{IN} - V_{OUT} = 1.0\text{V}$	8		27	mA
I_{RPT}	Short Current Limit	Base Current I_B of PNP Tr. $V_{OUT} = 0\text{V}$		0.7		mA
R_{UD}	\overline{CE} /CE Pull-up/down Resistance			2		$\text{M}\Omega$
V_{CEH}	\overline{CE} /CE Input Voltage "H"		1.5		V_{IN}	V
V_{CEL}	\overline{CE} /CE Input Voltage "L"		0		0.25	V
$-V_{DET}$	Detector Threshold		$-V_{DET}$ $\times 0.975$		$-V_{DET}$ $\times 1.025$	V
V_{HYS}	Detector Threshold Hysteresis Range		$-V_{DET}$ $\times 0.03$	$-V_{DET}$ $\times 0.05$	$-V_{DET}$ $\times 0.07$	V
I_{OUT2}	Output Current 2	$V_{DD} = 1.5\text{V}, V_{DS} = 0.5\text{V}$	2.0	5.0	10.0	mA
$\Delta V_{DET}/\Delta T$	Detector Threshold Temperature Coefficient	$-40^{\circ}\text{C} \leq T_{opt} \leq 85^{\circ}\text{C}$		± 100		ppm/ °C
tPLH	Output Delay Time				0.1	ms
V_{DDL}	Minimum Operating Voltage			0.9	1.1	V

Note: This item depends on the capability of external PNP transistor. Use low saturation type transistor with hFE value range of 100 to 300.

● R1151NXXXXC

Topt=25°C

Symbol	Item	Conditions	MIN.	TYP.	MAX.	Unit
V _{OUT}	Output Voltage	V _{IN} = Set V _{OUT} +1V I _{OUT} = 50mA	V _{OUT} ×0.98		V _{OUT} ×1.02	V
I _{OUT}	Output Current	V _{IN} - V _{OUT} = 1.0V		1* ^{Note1}		A
ΔV _{OUT} /ΔI _{OUT}	Load Regulation	V _{IN} = Set V _{OUT} +1V 1mA ≤ I _{OUT} ≤ 100mA	Refer to the Load Regulation Table			
V _{DIF}	Dropout Voltage	I _{OUT} = 100mA		0.1* ^{Note1}		V
I _{SS}	Supply Current	V _{IN} = Set V _{OUT} +1V, I _{OUT} = 0mA		70	100	μA
I _{EXTleak}	EXT Leakage Current				0.5	μA
ΔV _{OUT} /ΔV _{IN}	Line Regulation	Set V _{OUT} +0.5V ≤ V _{IN} ≤ 18.5V I _{OUT} = 50mA	0.00	0.02	0.10	%/V
RR	Ripple Rejection	f = 1kHz, Ripple 0.5Vp-p V _{IN} = Set V _{OUT} +1V		60		dB
V _{IN}	Input Voltage				18.5	V
ΔV _{OUT} /ΔT	Output Voltage Temperature Coefficient	I _{OUT} = 10mA -40°C ≤ Top t ≤ 85°C		±100		ppm /°C
I _{lim}	Current Limit	Base Current I _B of PNP Tr. V _{IN} - V _{OUT} = 1.0V	8		27	mA
I _{RPT}	Short Current Limit	Base Current I _B of PNP Tr. V _{OUT} = 0V		0.7		mA
-V _{DET}	Detector Threshold		-V _{DET} ×0.975		-V _{DET} ×1.025	V
V _{HYS}	Detector Threshold Hysteresis Range		-V _{DET} ×0.03	-V _{DET} ×0.05	-V _{DET} ×0.07	V
I _{OUT2}	Output Current 2	V _{DD} = 1.5V, V _{DS} = 0.5V	2.0	5.0	10.0	mA
ΔV _{DET} /ΔT	Detector Threshold Temperature Coefficient	-40°C ≤ Topt ≤ 85°C		±100		ppm /°C
t _{PLH}	Output Delay Time	CD=220pF* ^{Note2}	0.9	1.6	2.7	ms
V _{DDL}	Minimum Operating Voltage			0.9	1.1	V

Note1: This item depends on the capability of external PNP transistor. Use low saturation type transistor with hFE value range of 100 to 300.

Note2: V_{DET} pin is pulled-up to V_{DD} via 470kΩ resistance. The time is between the rising edge of V_{OUT} level from 0.9V to (+V_{DET})+2.0V and the reaching point to ((+V_{DET})+2.0V)/2 of the V_{DET} output voltage.

● Load Regulation Table

Output Voltage V _{OUT} (V)	Load Regulation ΔV _{OUT} /ΔI _{OUT} (mV)	
	TYP.	MAX.
2.5 to 3.3	20	60
3.4 to 5.0	30	90
5.1 to 7.0	40	130
7.1 to 9.0	50	160

■ OPERATION

In these ICs, fluctuation of Output Voltage, V_{OUT} is detected by the feed-back registers, and the result is compared with a reference voltage with the error amplifier and control the base current of an external PNP transistor so that a constant voltage is output. The base current is monitored with the base current limit circuit. If the base current may be too large, the protection circuit works, further, output voltage is monitored with the built-in voltage detector. If the set detector threshold voltage is detected, reset signal will be output.

TECHNICAL NOTES

When using these ICs, consider the following points:

In these ICs, phase compensation is made for securing stable operation even if the load current is varied. For this purpose, be sure to use as much as 10 μ F capacitor as C_L with good frequency characteristics and ESR (Equivalent Series Resistance).

The best suitable equivalent series resistor value (ESR) is approximately 1 Ω .

If the ESR of the output capacitor is too large, output may be unstable, therefore fully evaluation is necessary.

Make VDD and GND line sufficient. When their impedance of these is high, noise pickup or unstable operation may be the result. Connect a capacitor with a capacitance value of as much as 10 μ F between VDD and GND as close as possible to these pins.

Set external components, especially output capacitor, as close as possible to the ICs.

Refer to the next equation to calculate the output delay time of C version and decide the capacitance value for the delay time.

$$t_{PLH} = 2.31 \times C / (300 \times 10^{-9})$$

C: Capacitance value (F)

Recommended pull-up resistance (R₁) value is 470k Ω . If the value is too small, released voltage may be shift, therefore, use 10k Ω or more value resistor.

TEST CIRCUITS

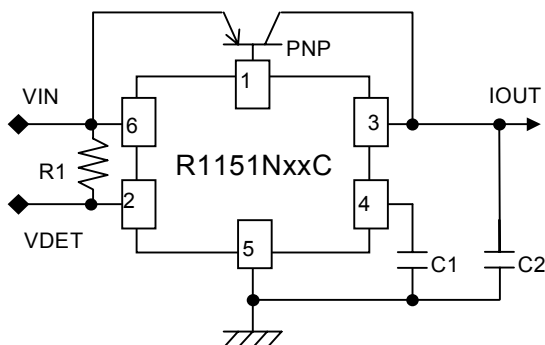


Fig.1 Standard test Circuit
R1=470k Ω C1=220pF, C2=10 μ F

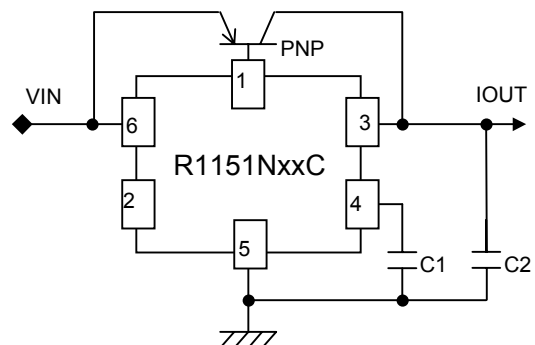


Fig.2 Supply Current Test Circuit
C1=220pF, C2=10 μ F

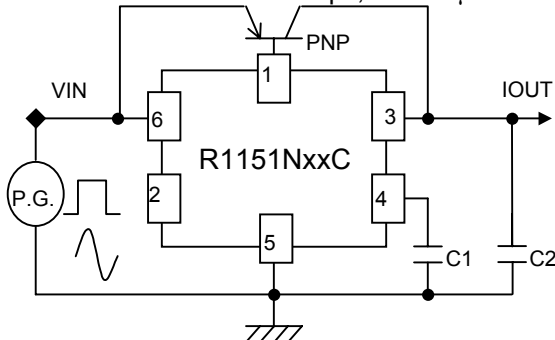


Fig.3 Ripple Rejection, Line Transient Response Test Circuit
C1=220pF, C2=10 μ F

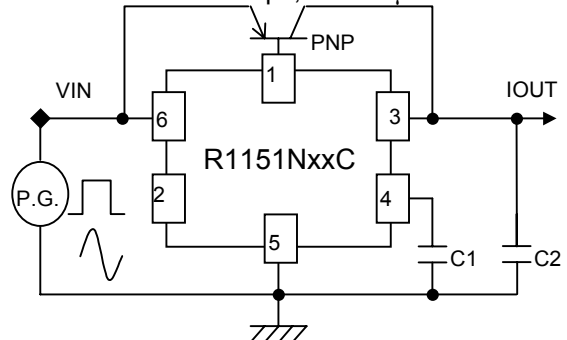
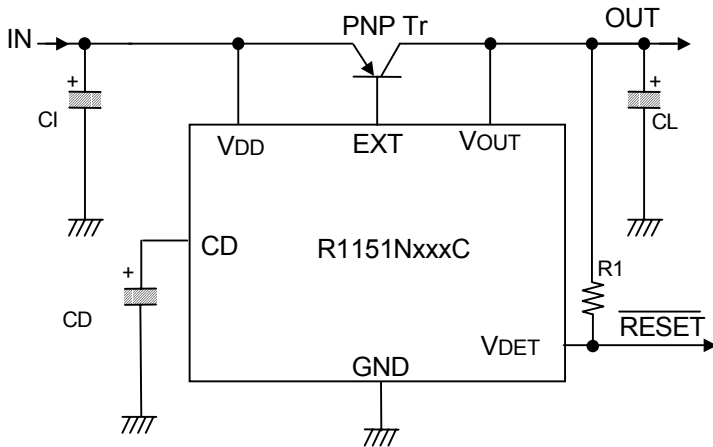


Fig.4 Load Transient Response Test Circuit
C1=220pF, C2=10 μ F

TYPICAL APPLICATION



(External Components)

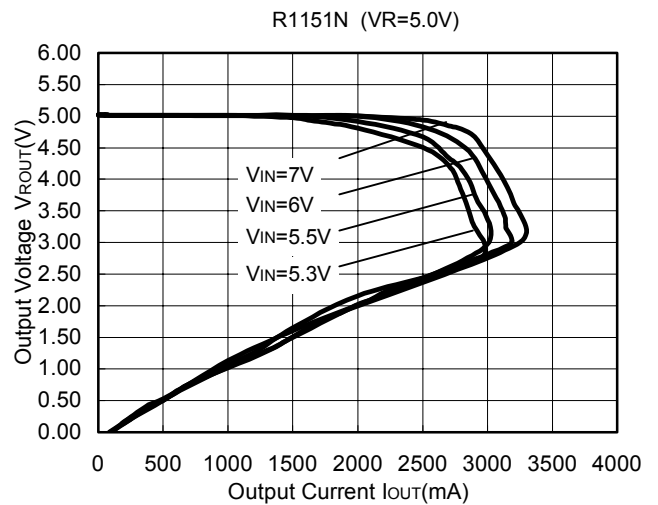
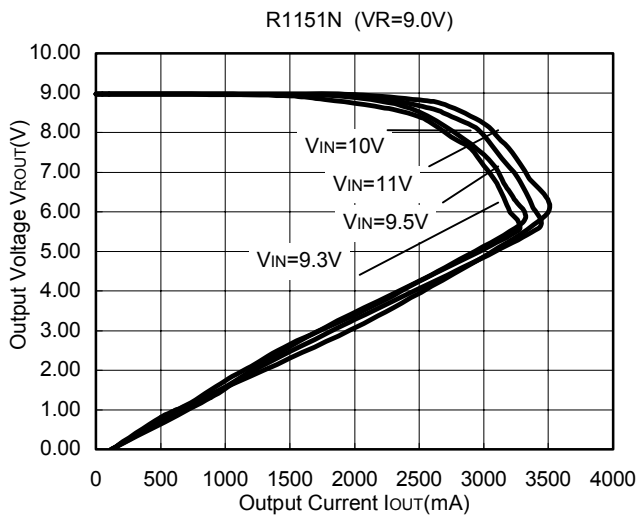
C1 10 μ F R1=470k Ω PNP Tr.: 2SA1441, 2SB940, 2SB703

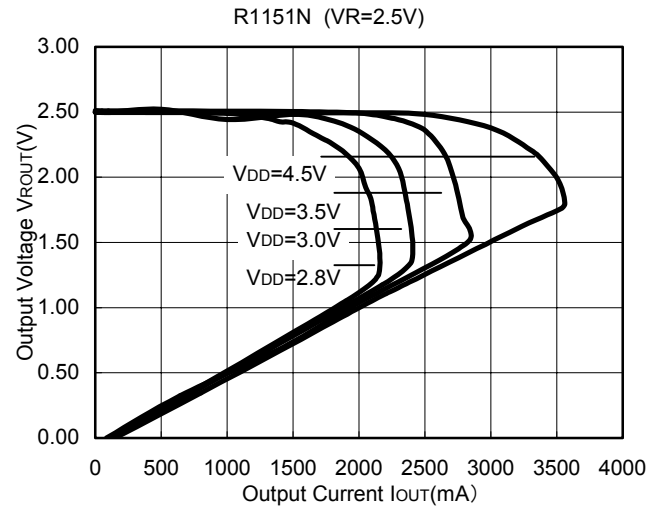
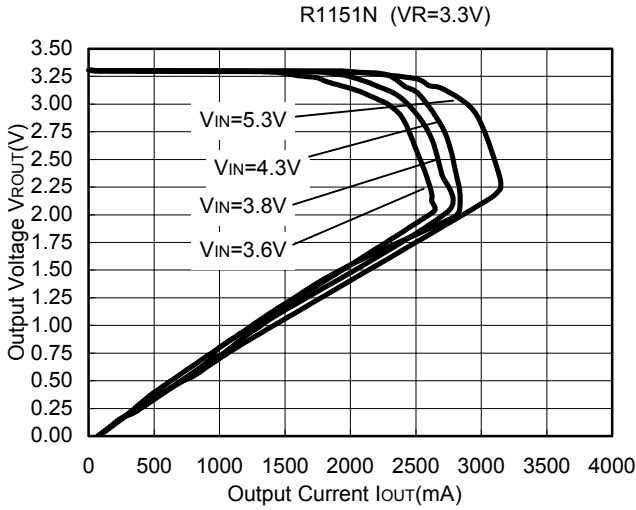
CL 10 μ F

TYPICAL CHARACTERISTICS

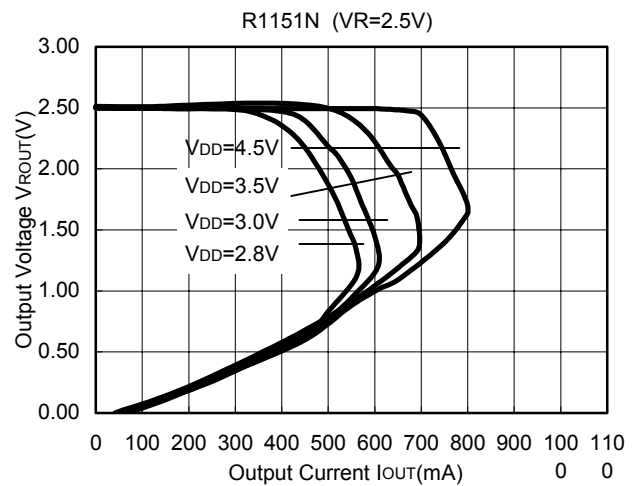
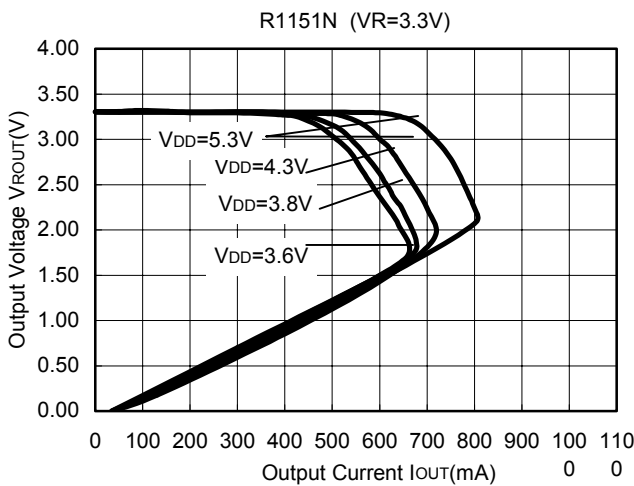
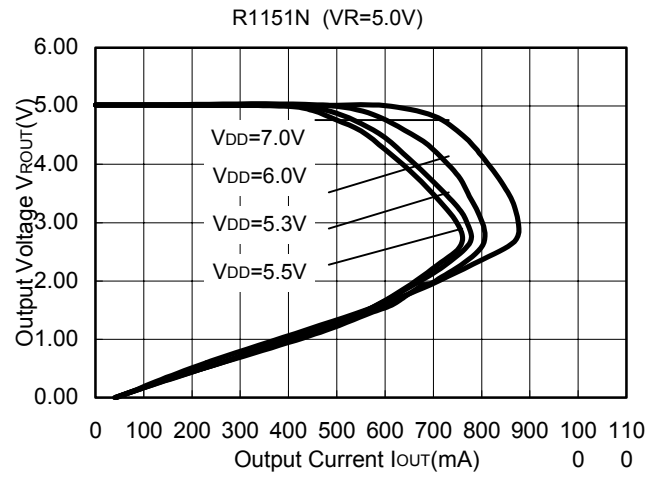
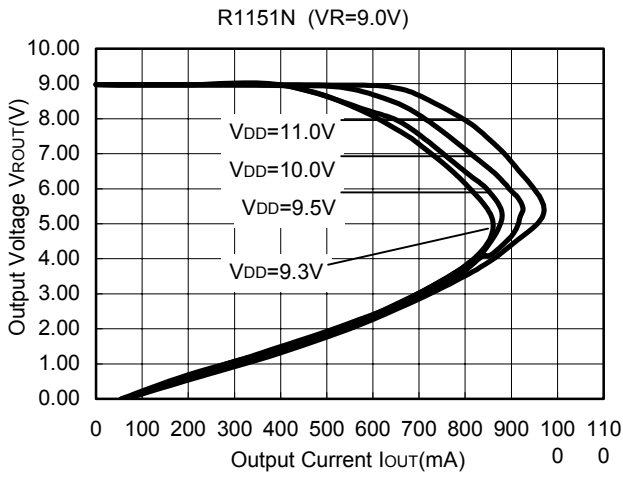
1) Output Voltage vs. Output Current (Topt=25°C)

a. External Tr.: 2SA1441

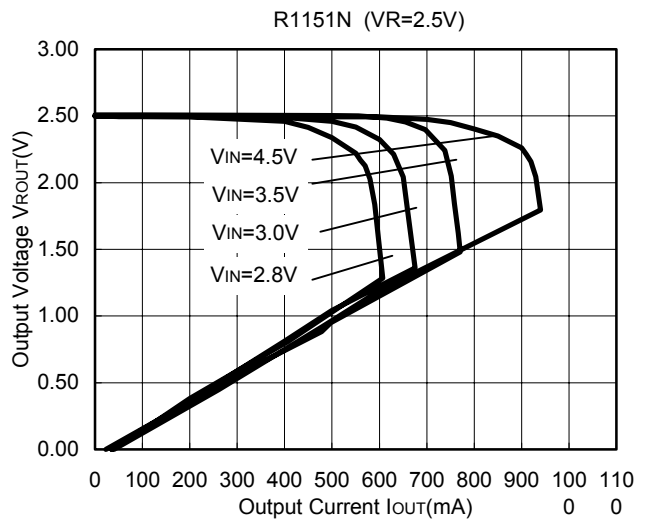
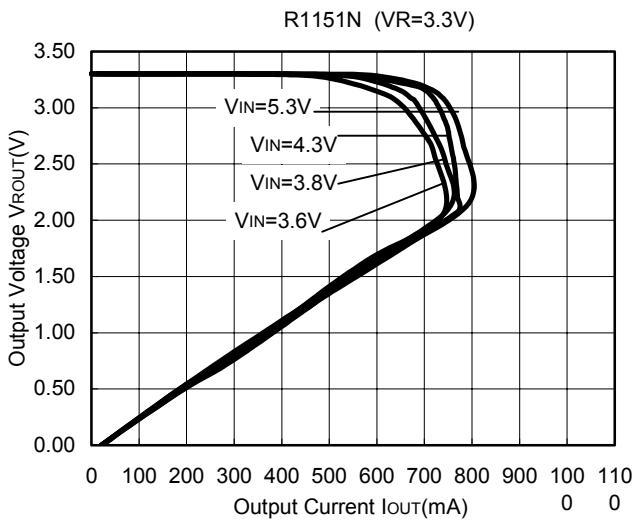
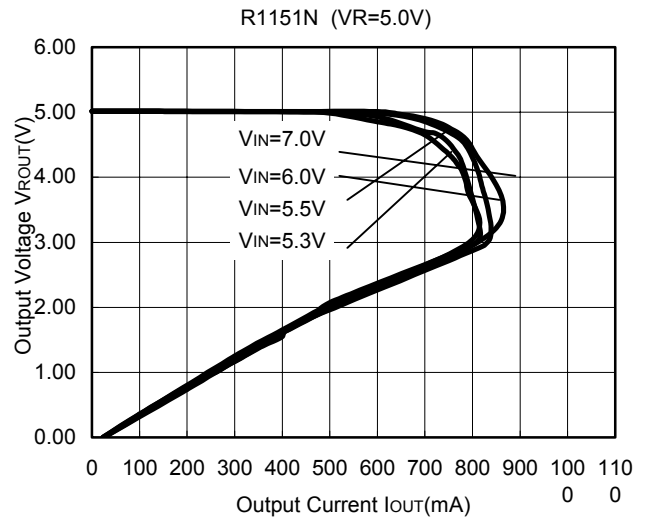
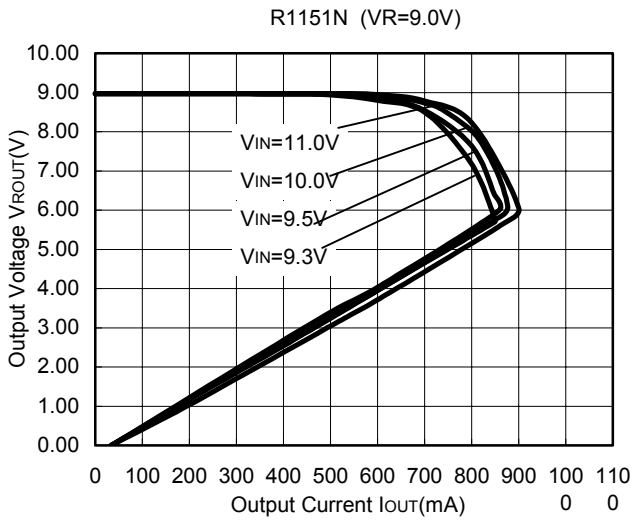




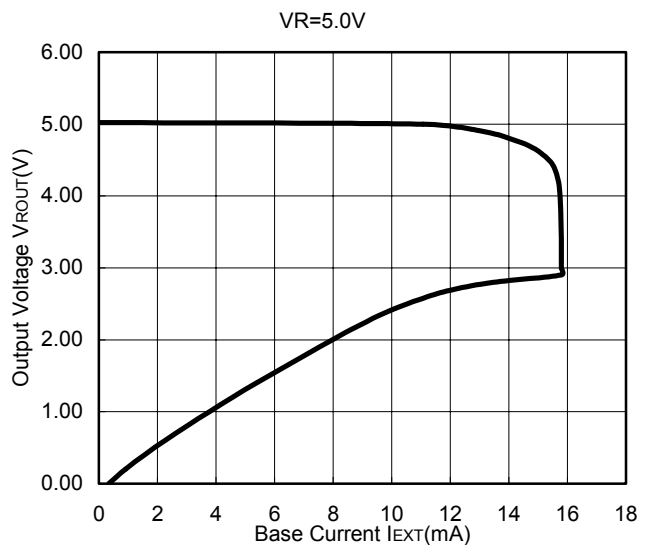
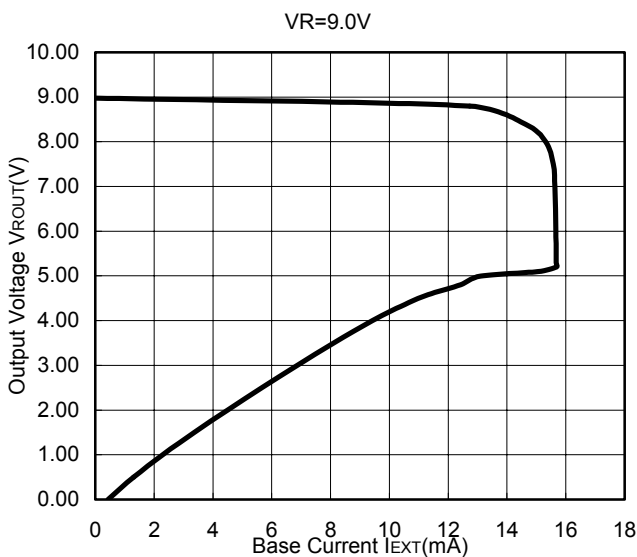
b. External Tr.:2SB940

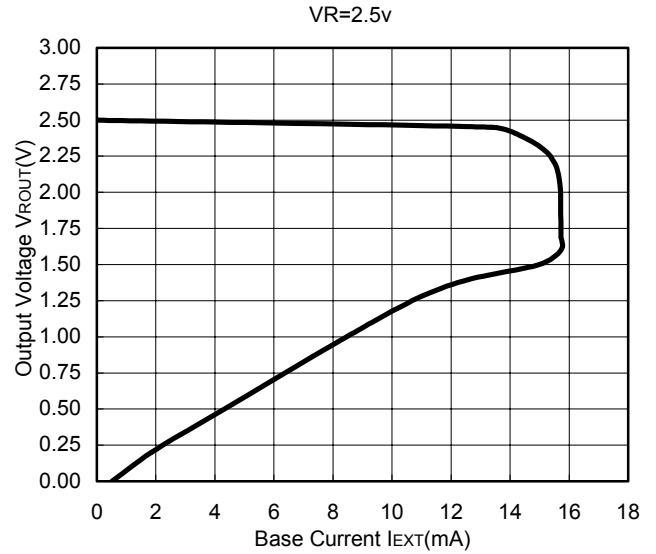
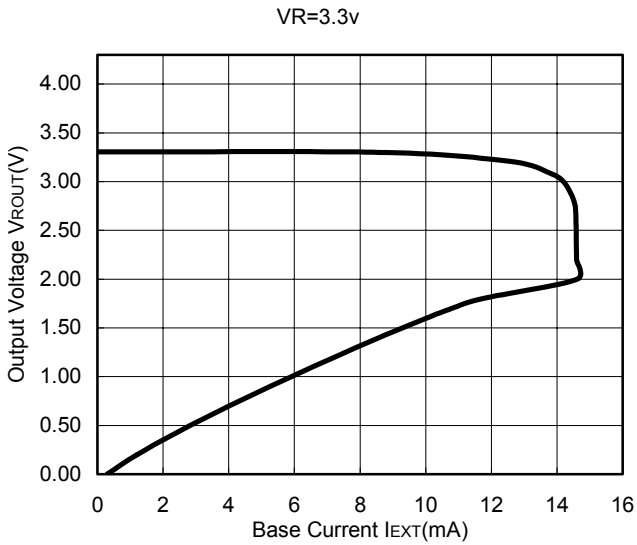


c. External Tr.:2SB703

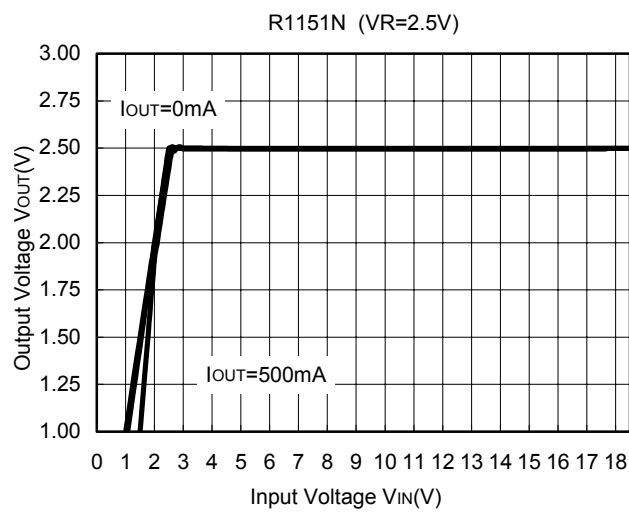
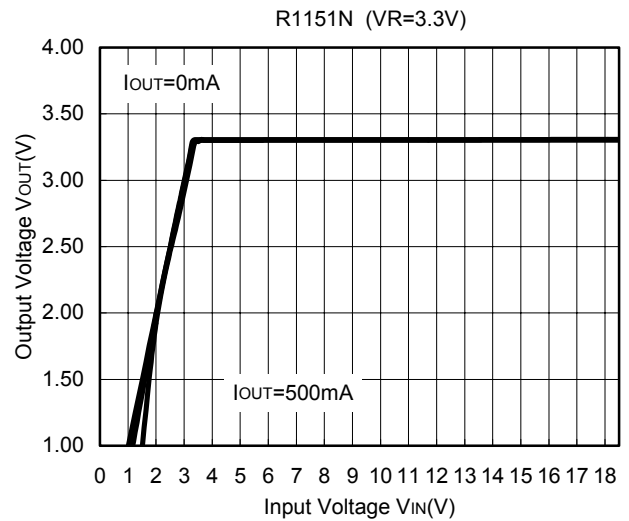
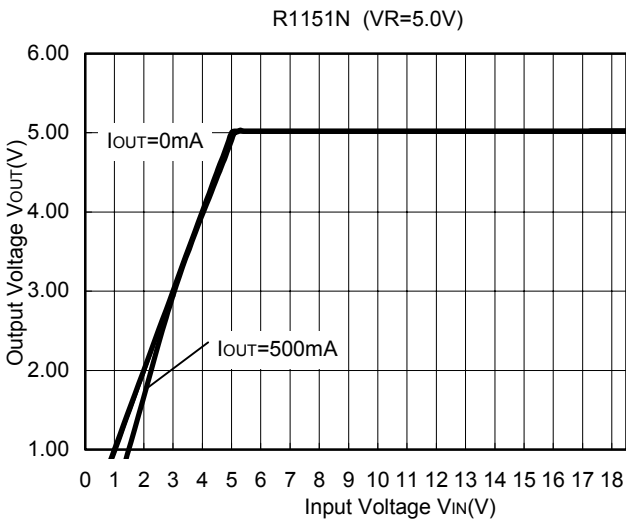


d. Output Voltage vs. Base Current ($T_{opt}=25^{\circ}C$)

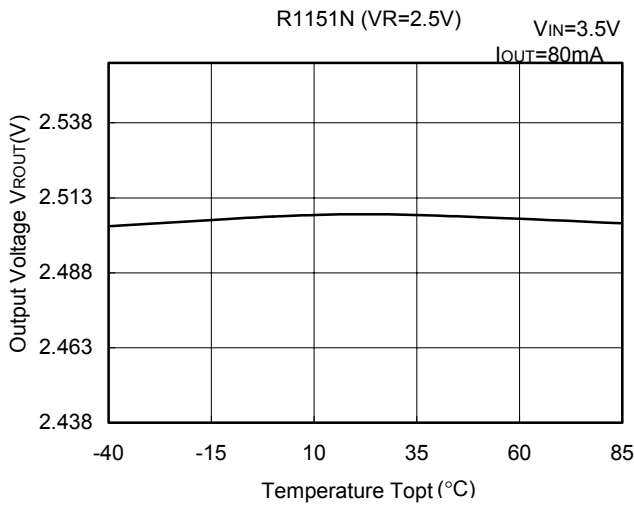
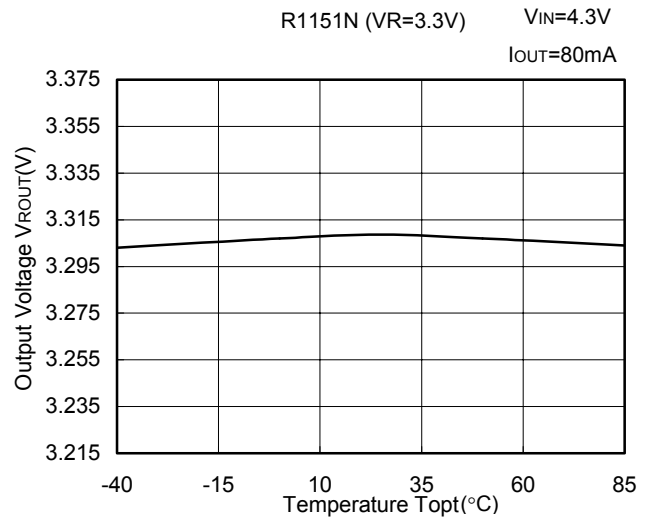
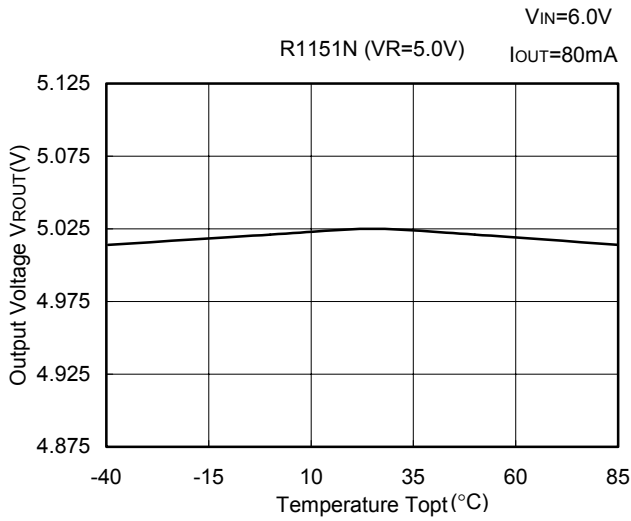




2) Output Voltage vs. Input Voltage ($T_{opt}=25^{\circ}C$)
External Transistor: 2SA1441

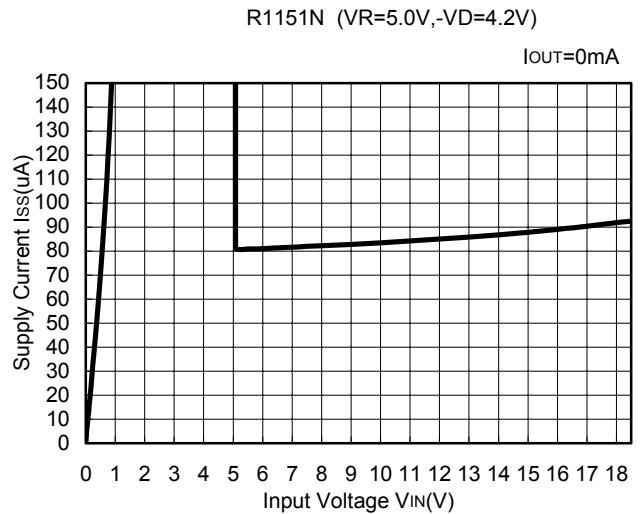
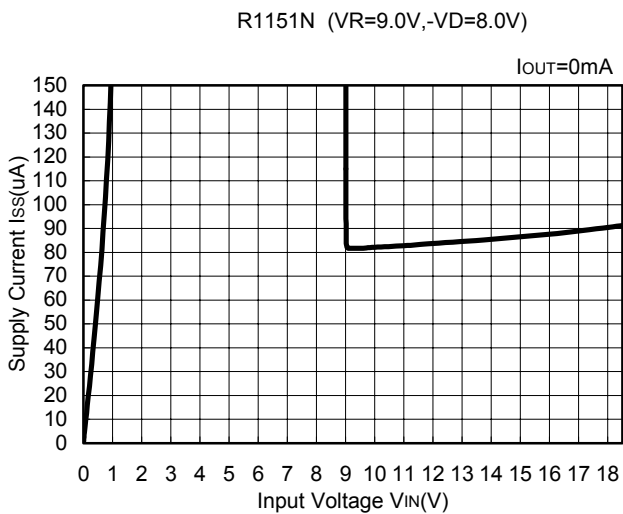


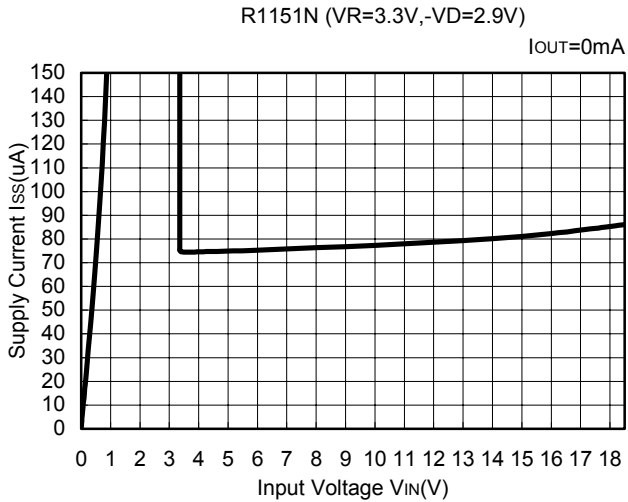
3) Output Voltage vs. Temperature



4) Supply Current vs. Input Voltage

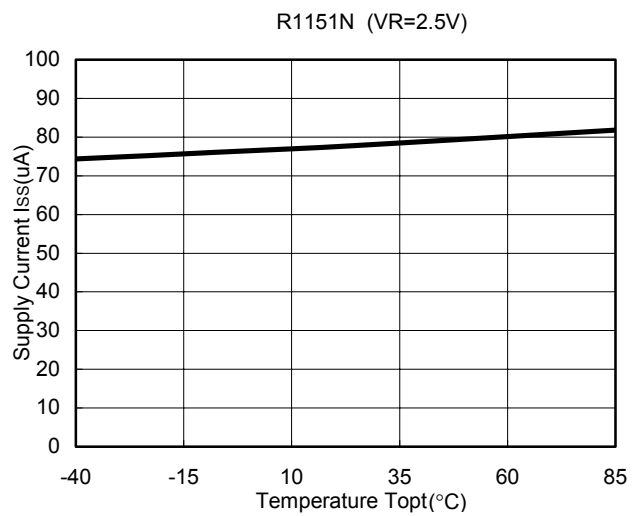
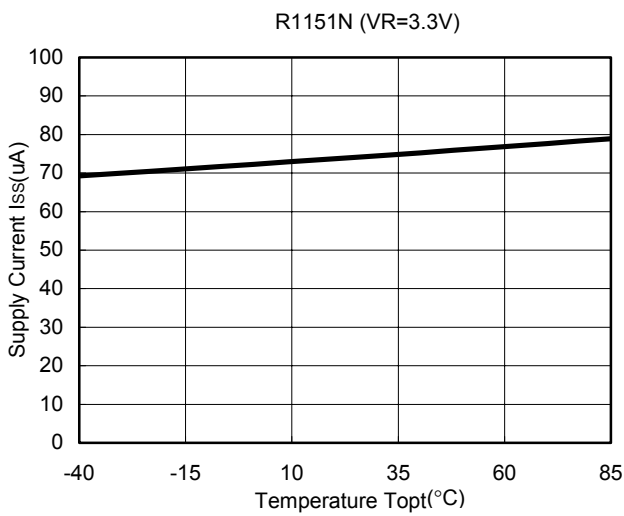
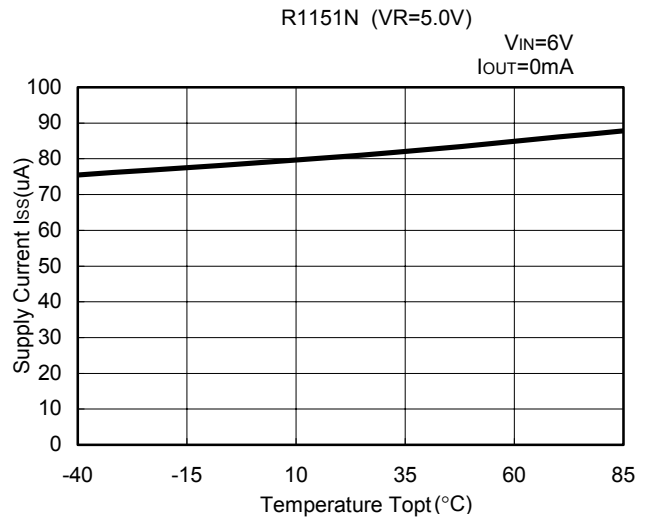
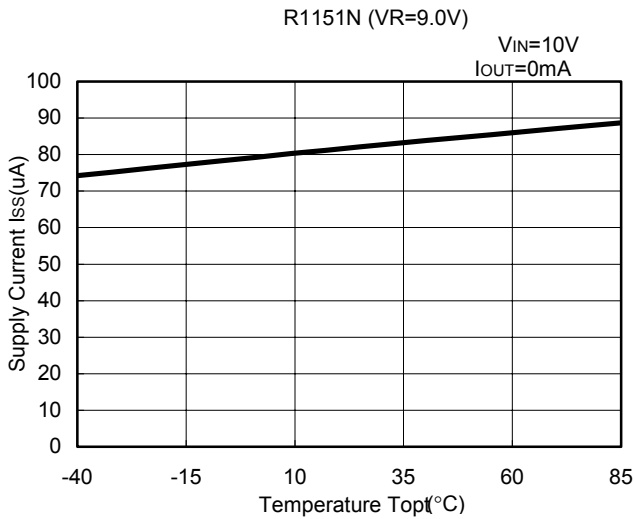
External Tr.:2SA1441



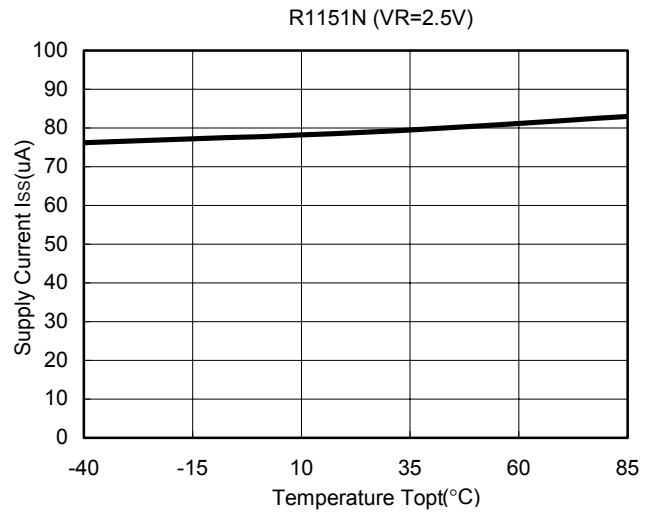
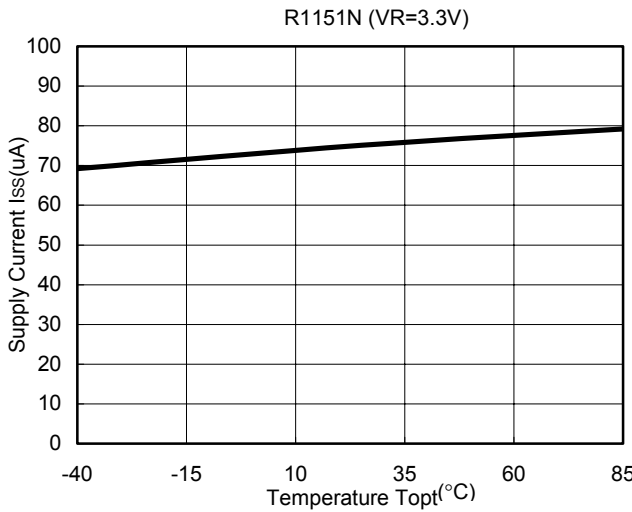
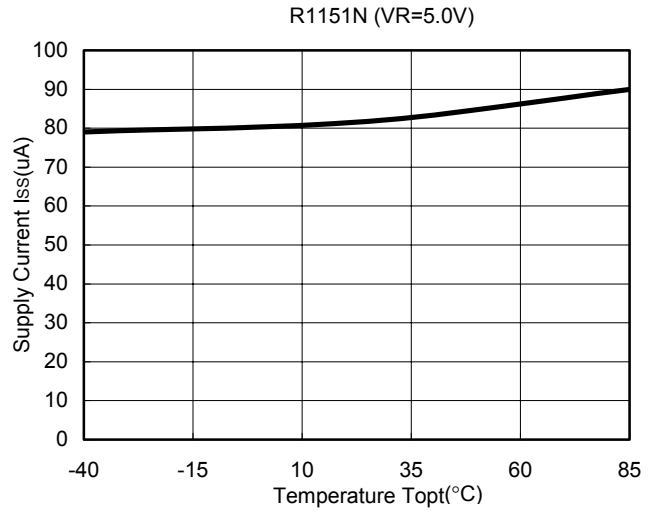
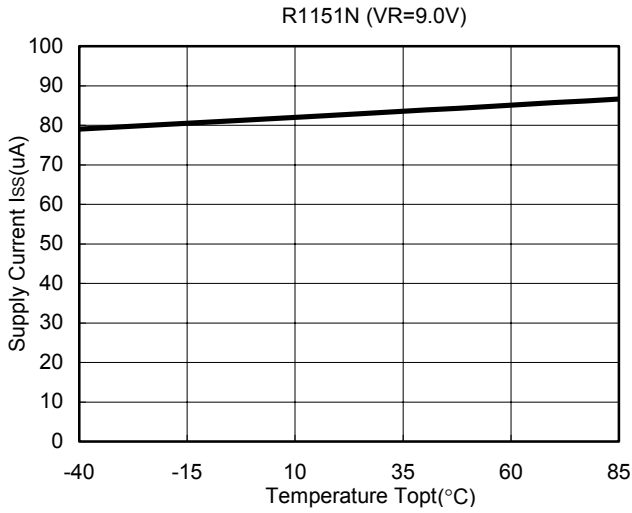


5) Supply Current vs. Temperature

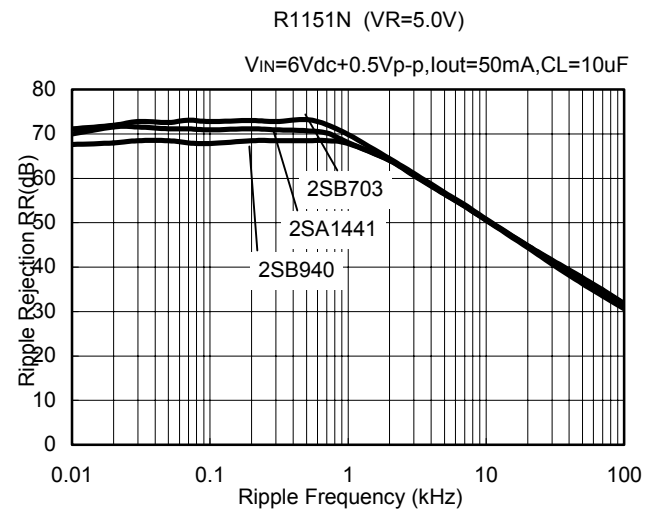
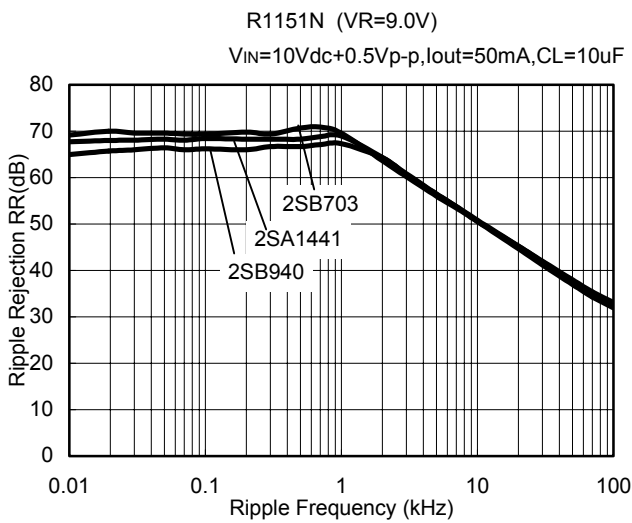
a. External Tr.:2SA1441

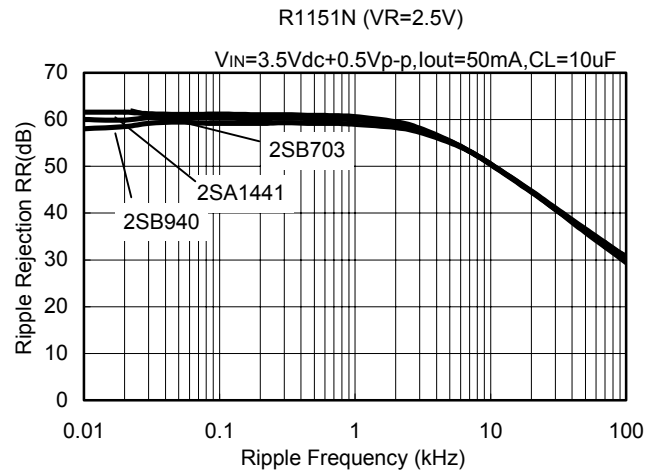
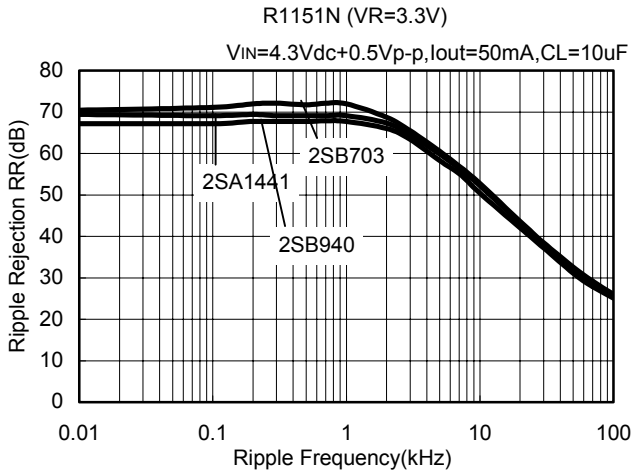


b. External Tr.:2SB703

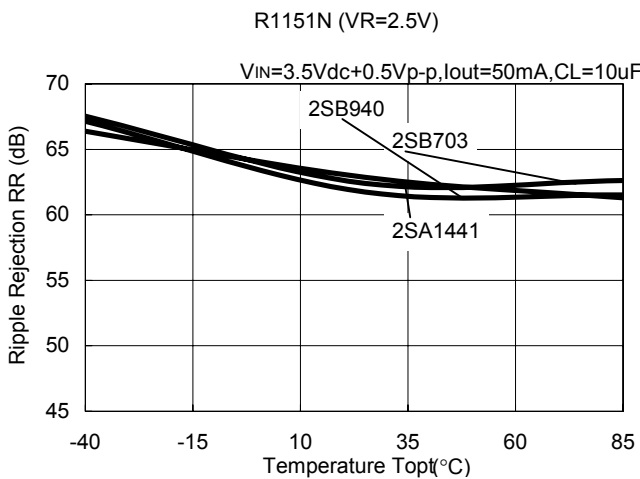
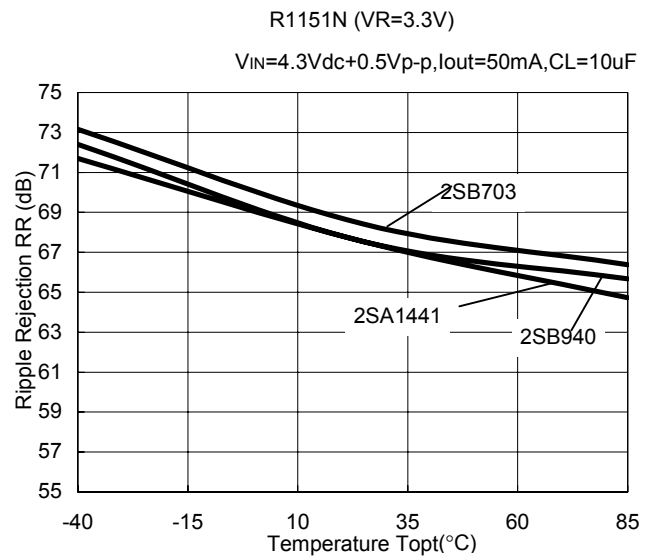
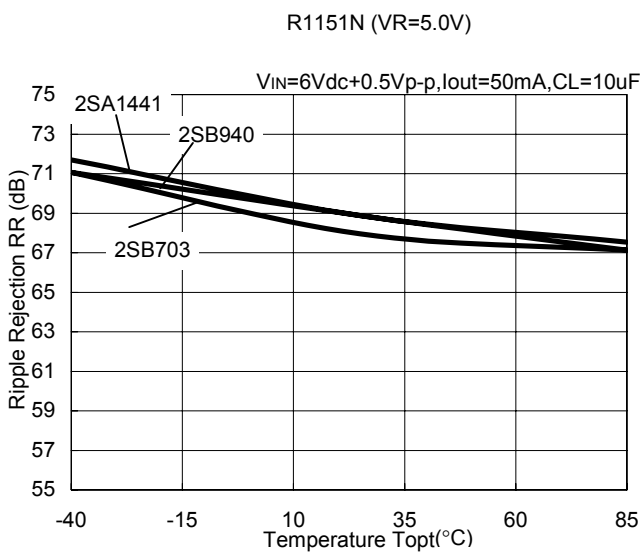


6) Ripple Rejection vs. Ripple Frequency (T_{opt}=25°C)



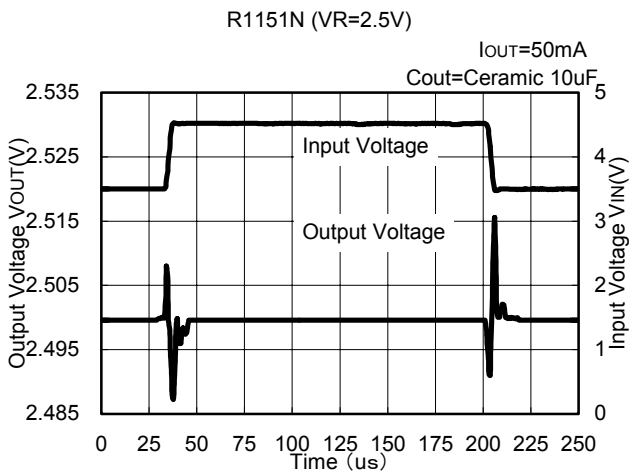
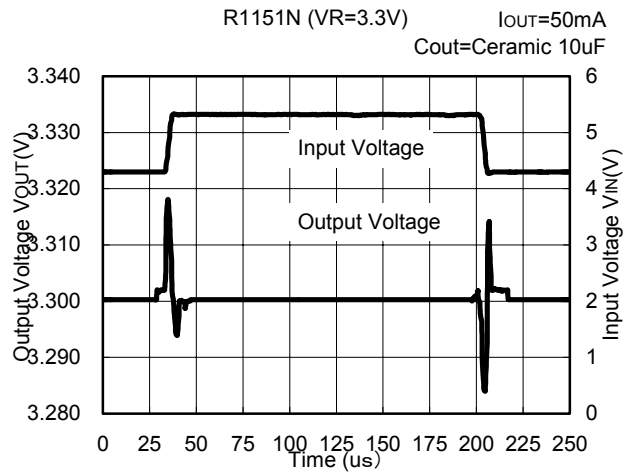
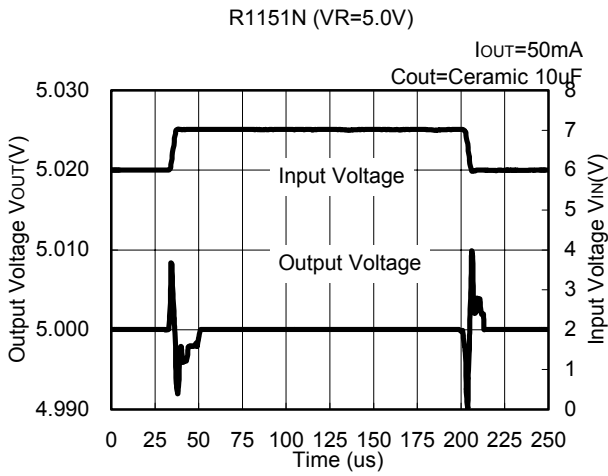


7) Ripple Rejection vs. Temperature

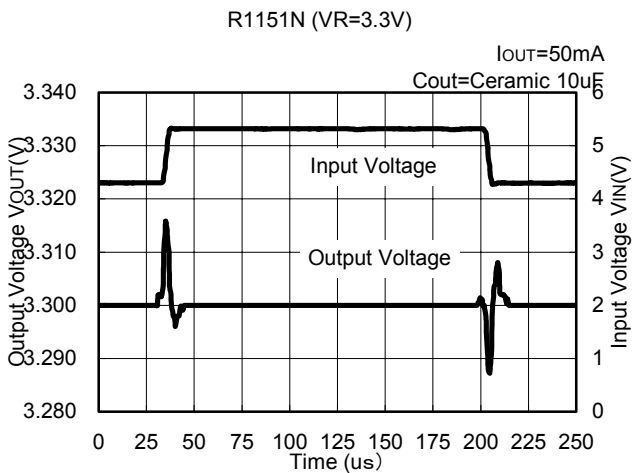
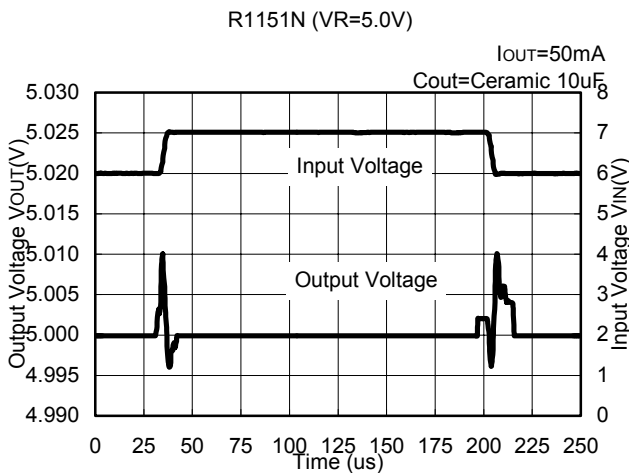


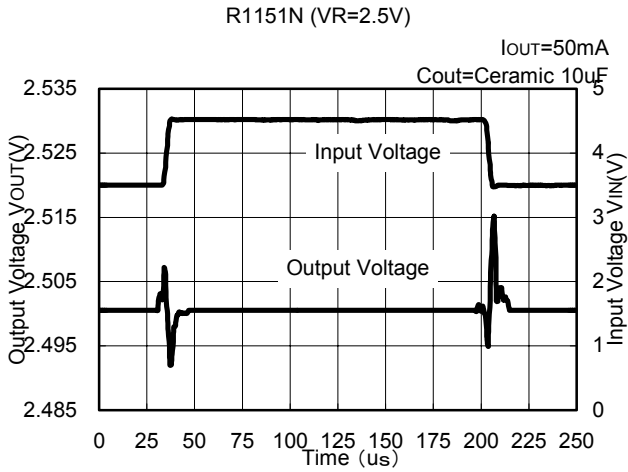
8) Input Transient Response($T_{opt}=25^{\circ}C$)

a. External Tr.:2SA1441

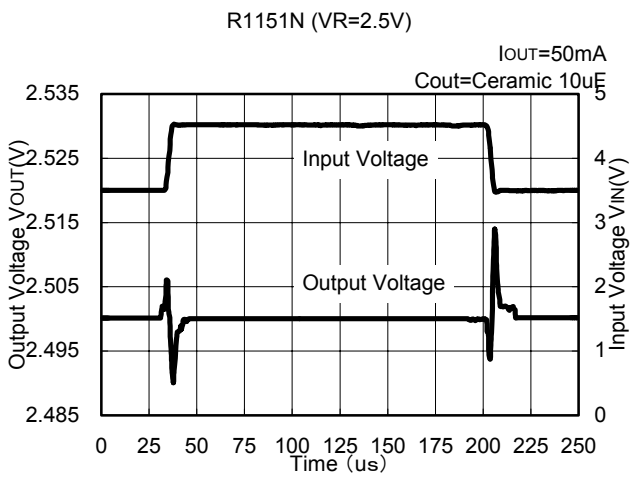
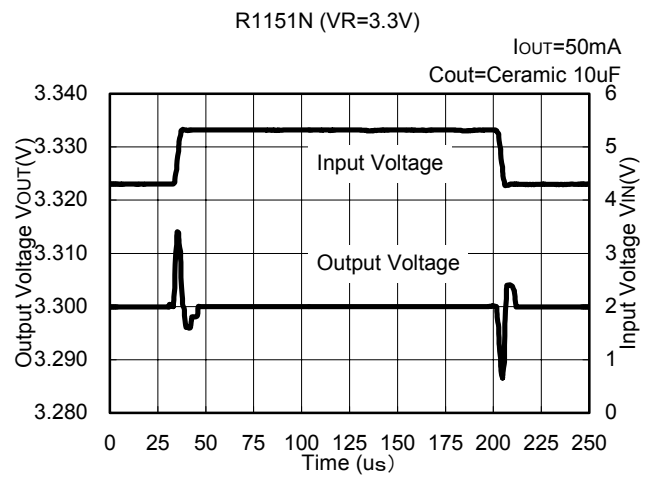
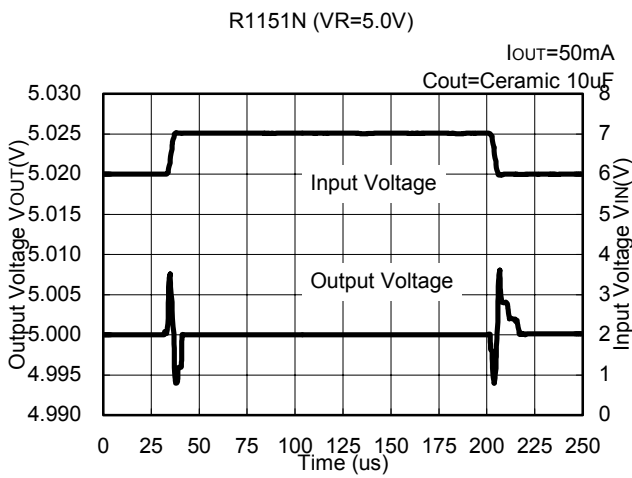


b. External Tr.: 2SB703



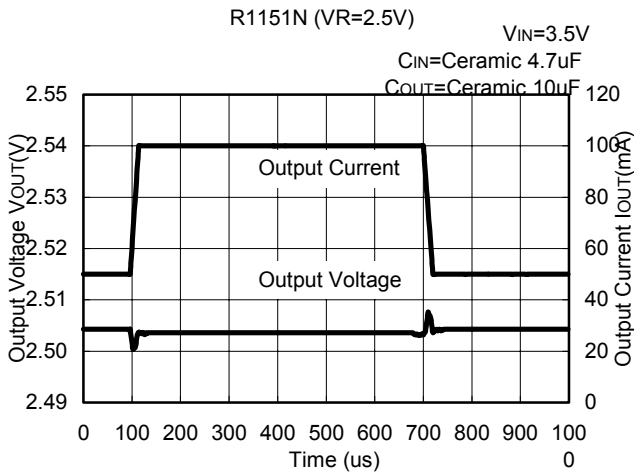
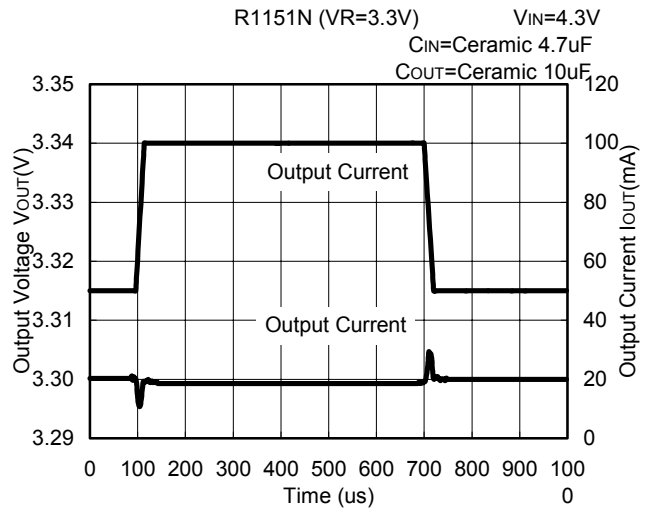
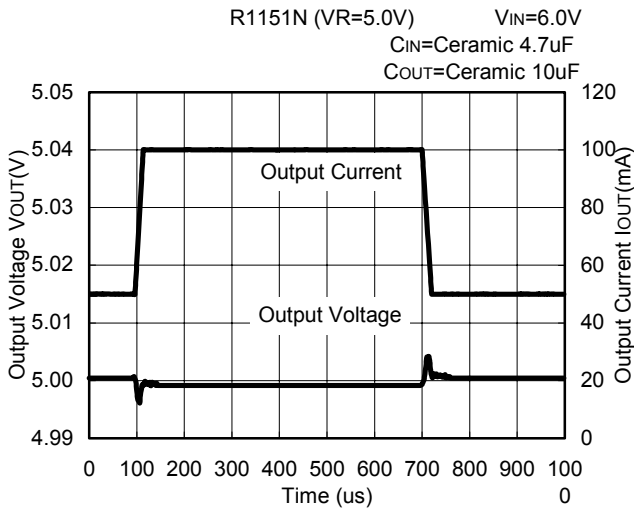


c. External Tr. : 2SB940

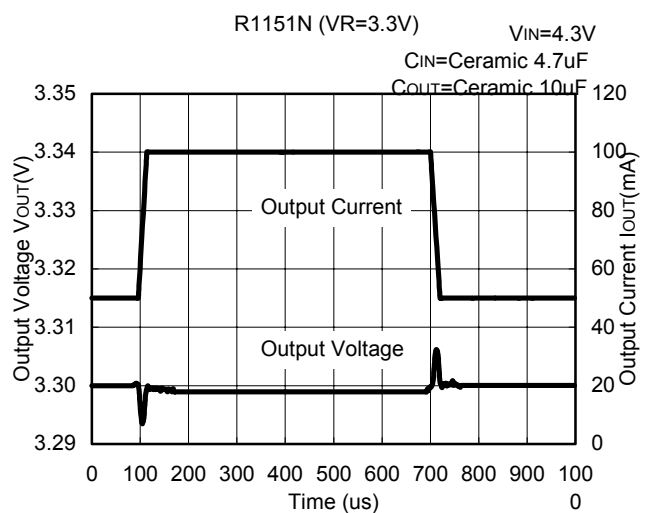
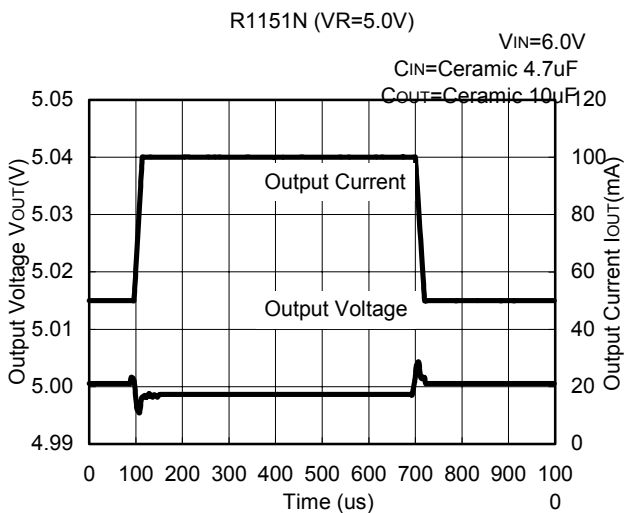


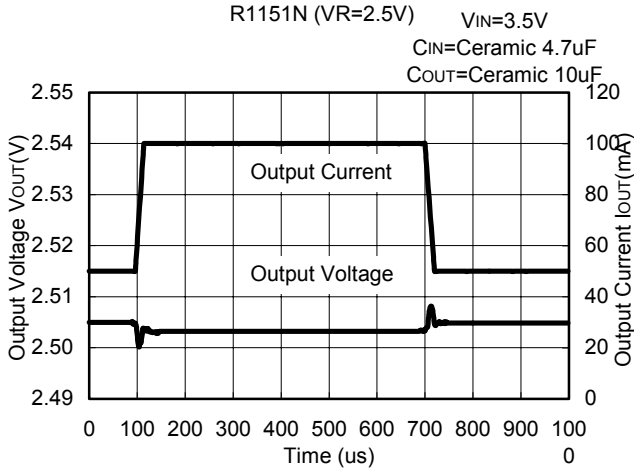
9) Load Transient Response ($T_{opt}=25^{\circ}C$)

a. External Tr.: 2SA1441

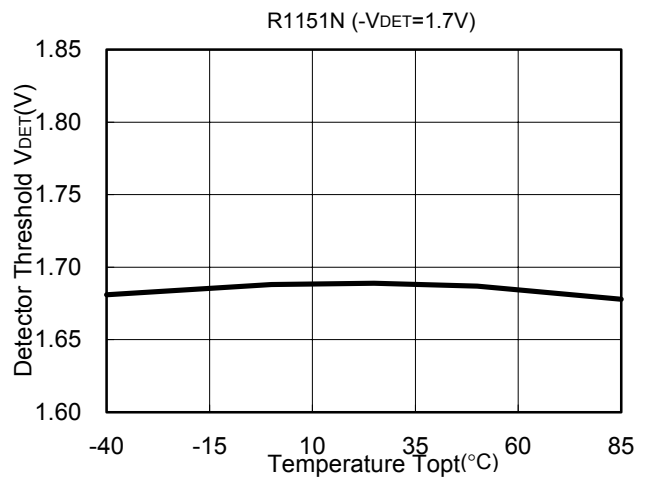
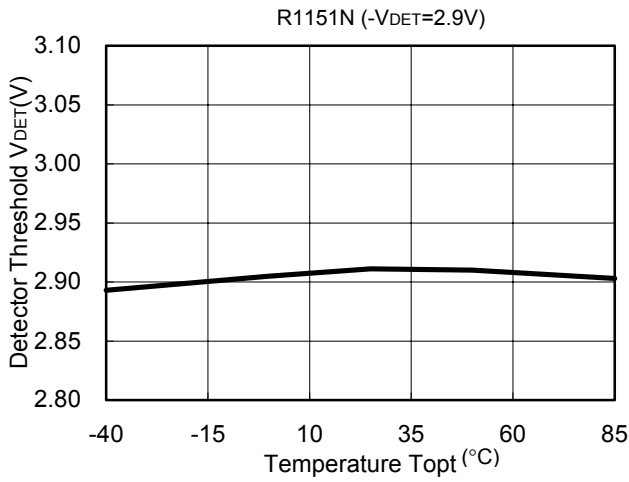
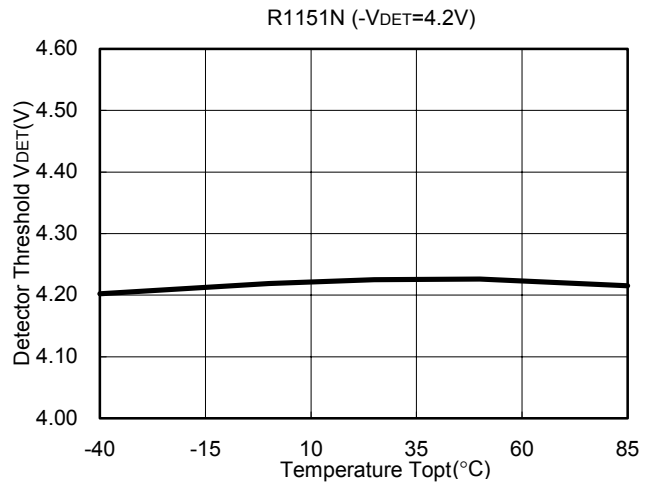
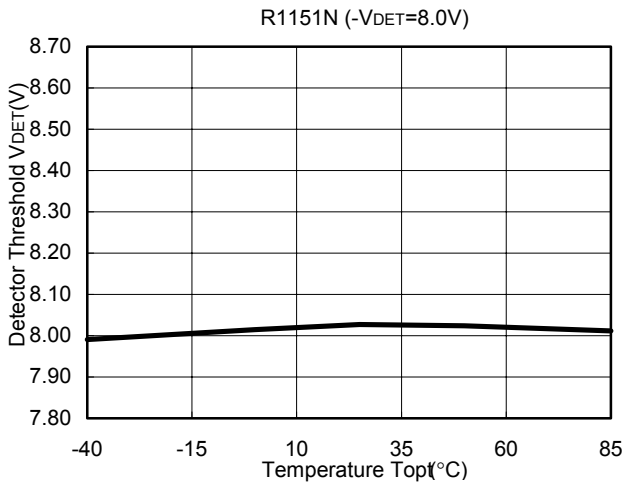


b. External Tr.: 2SB703

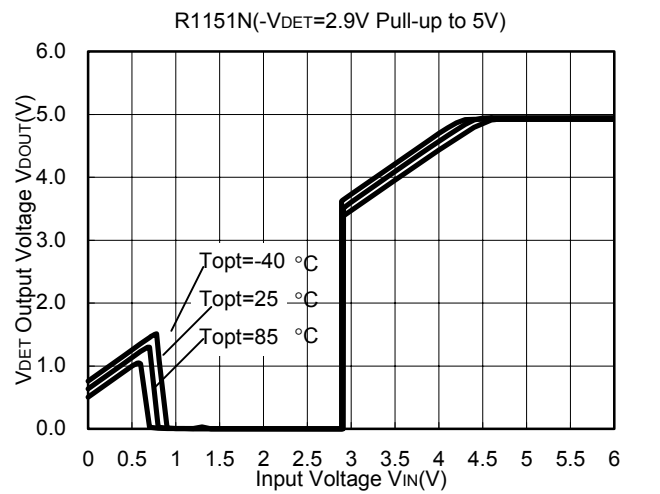
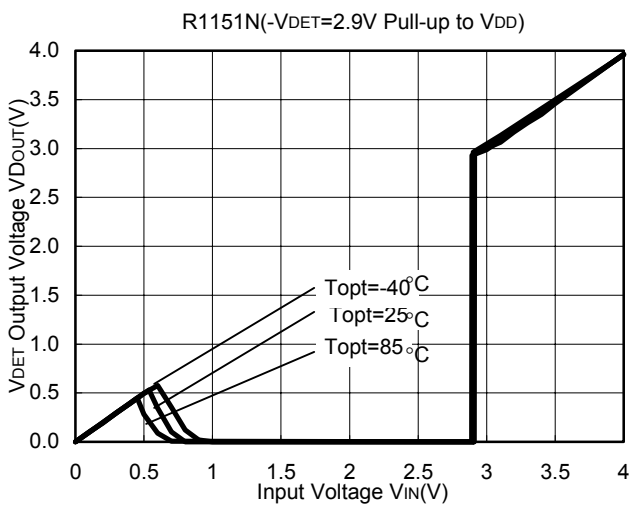
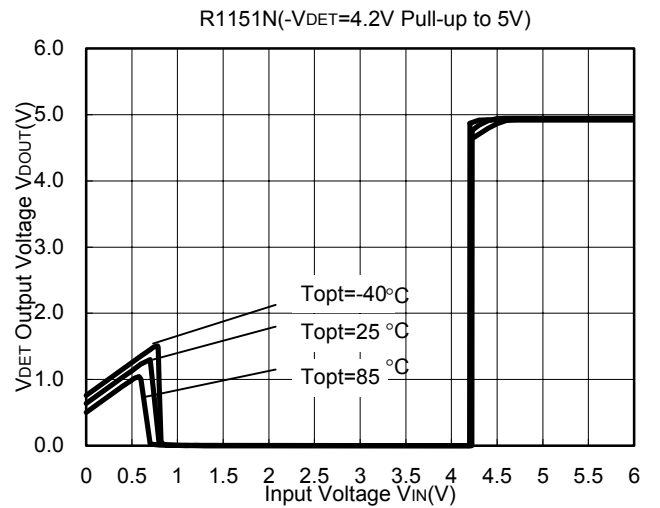
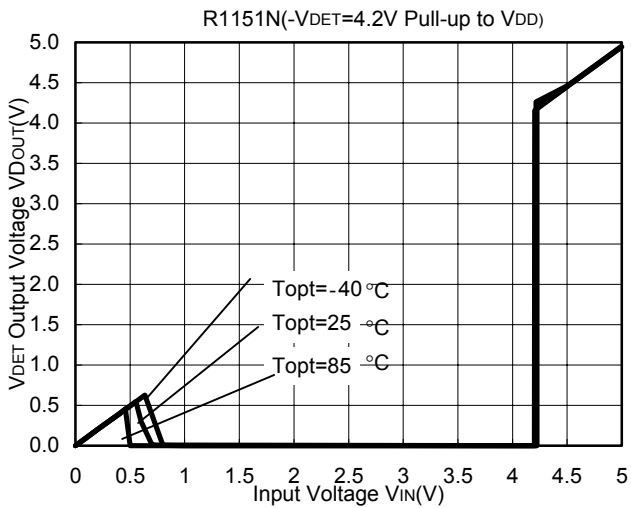
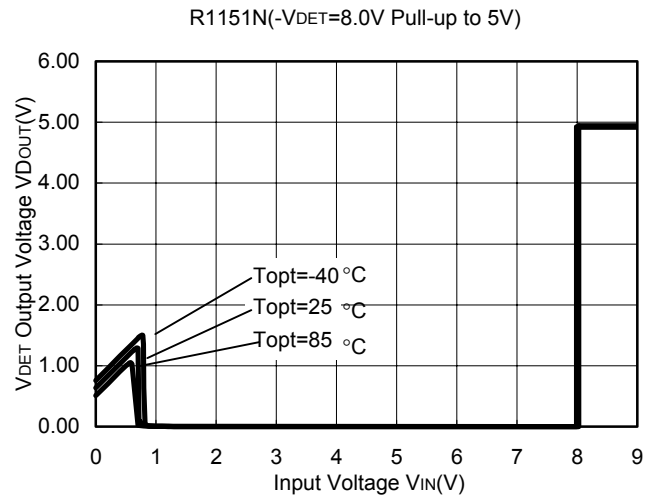
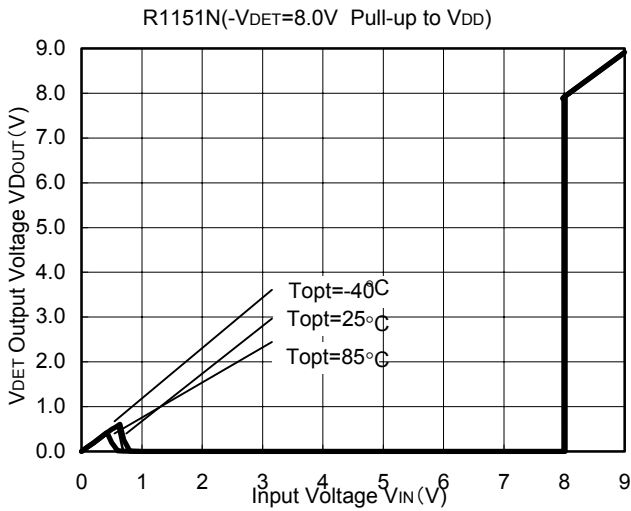


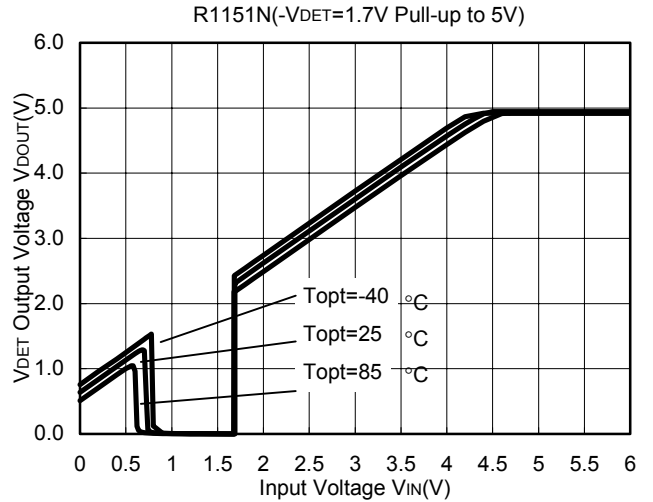
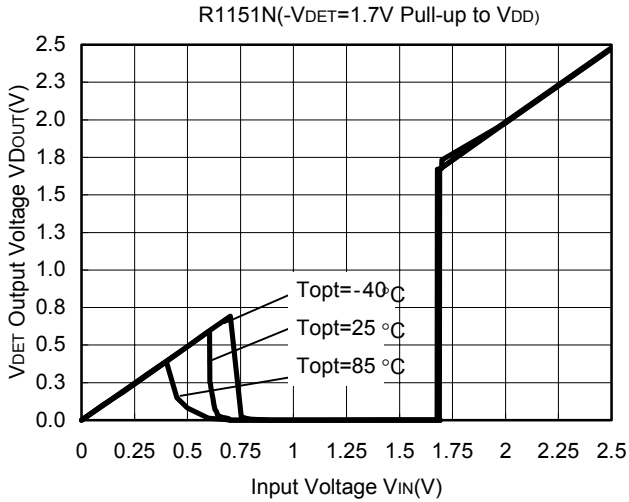


10) Detector Threshold vs. Temperature

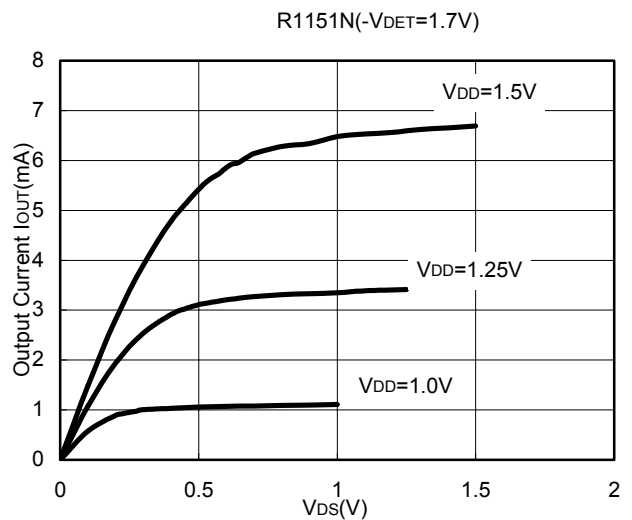
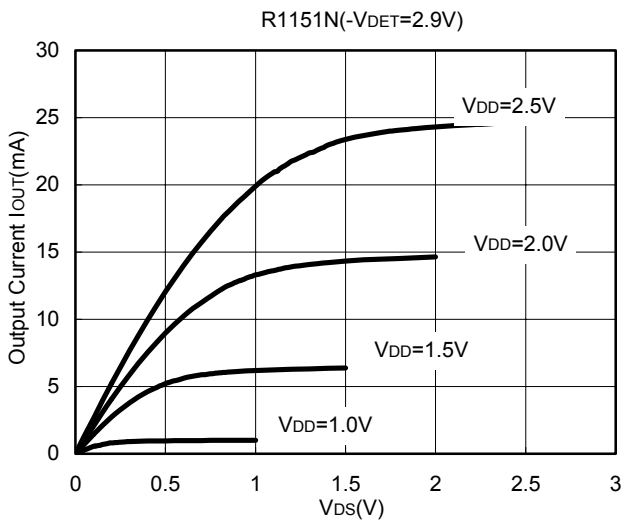
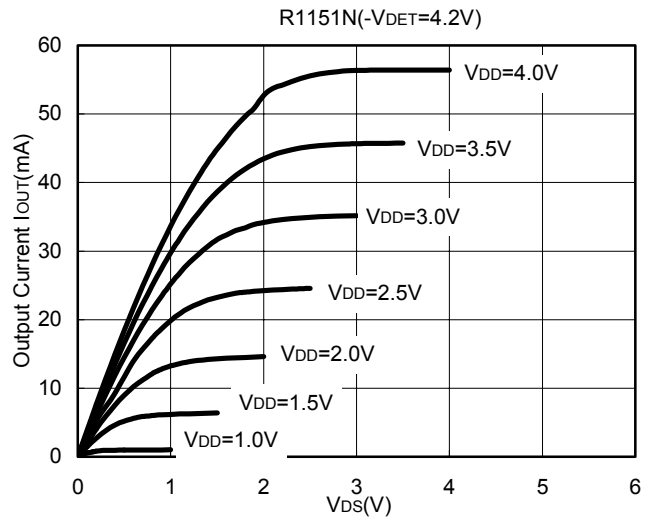
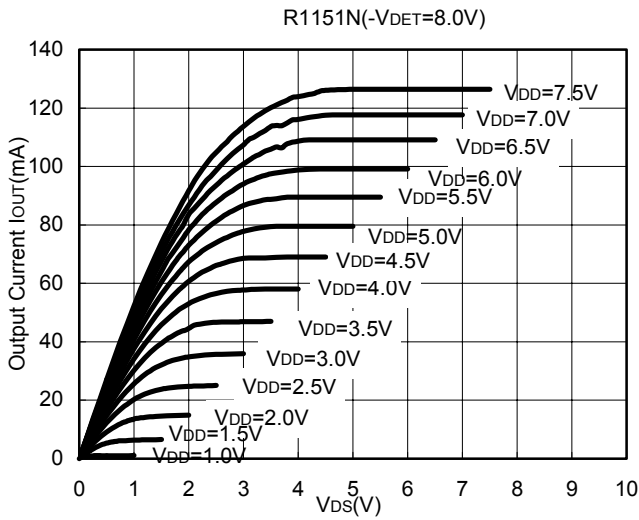


11) VDET Output Voltage vs. Input Voltage

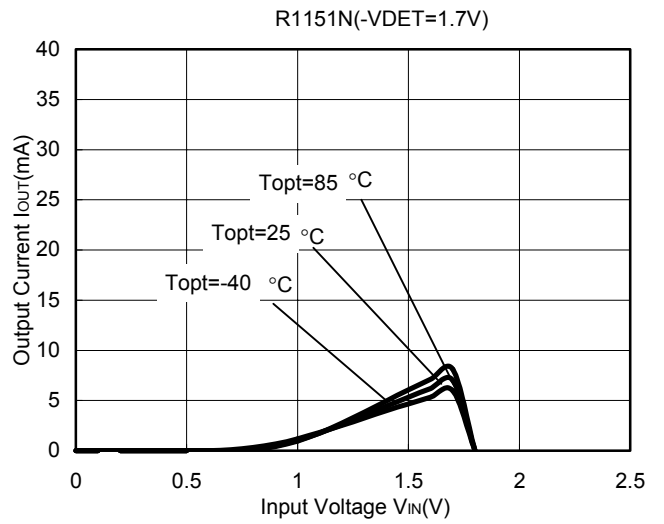
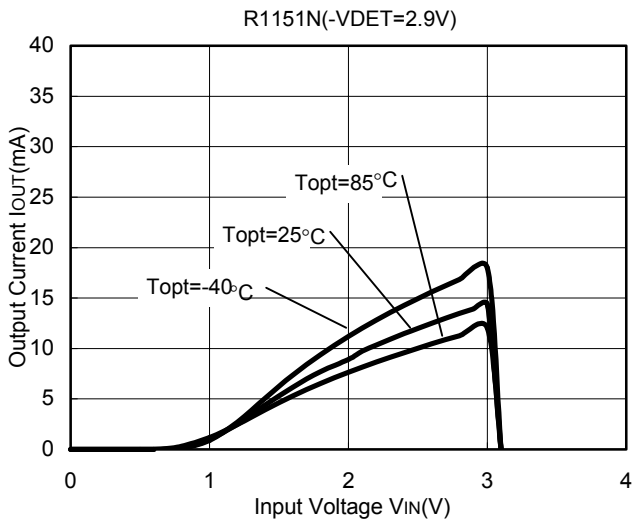
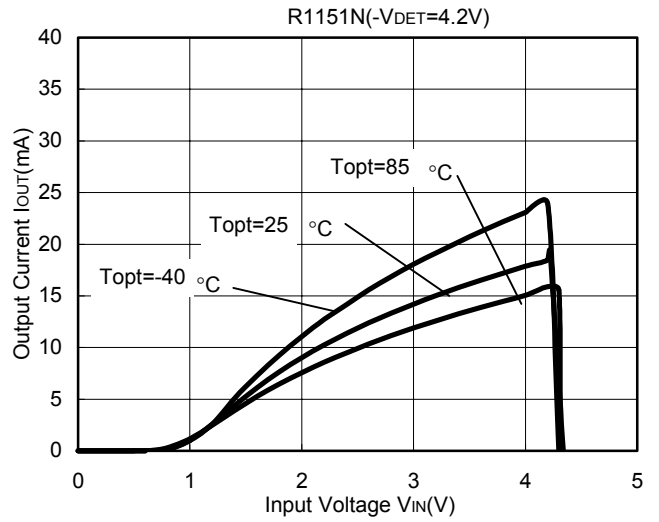
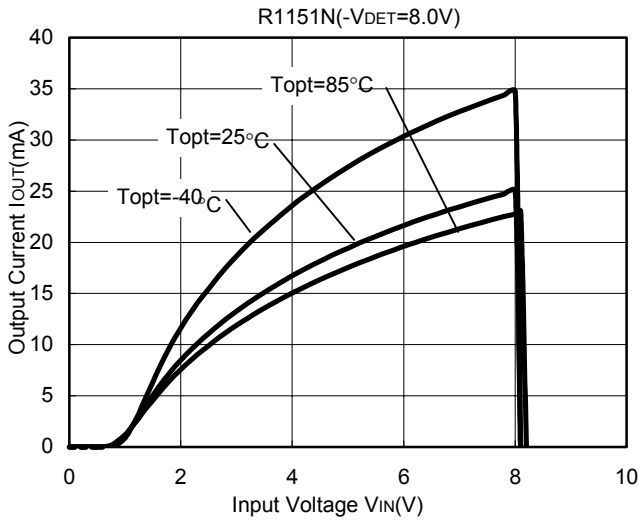




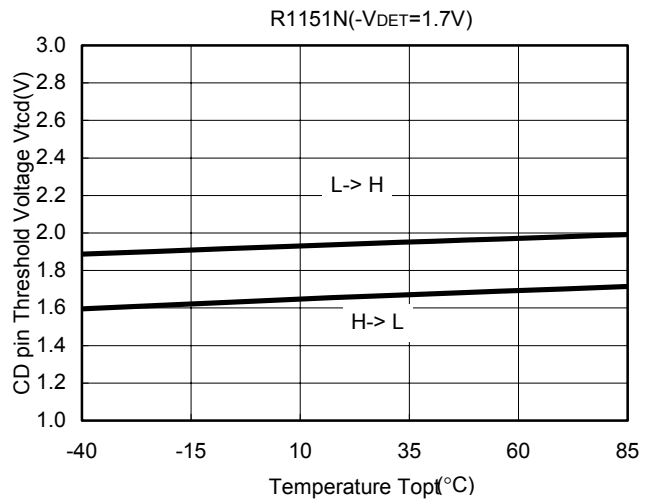
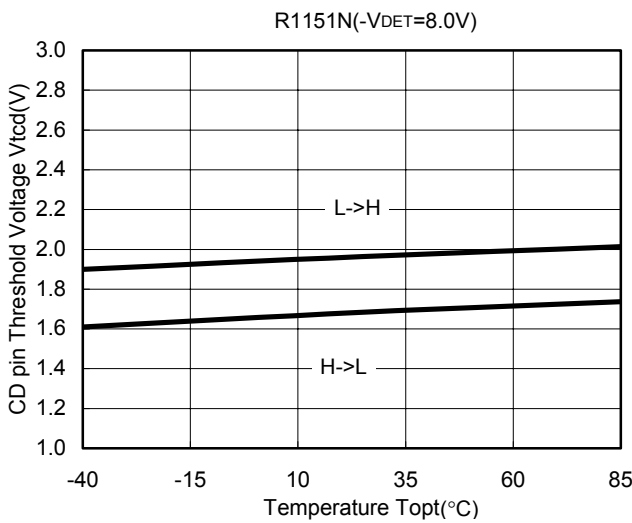
12) Nch Driver Output Current vs. V_{DS}(Topt=25°C)



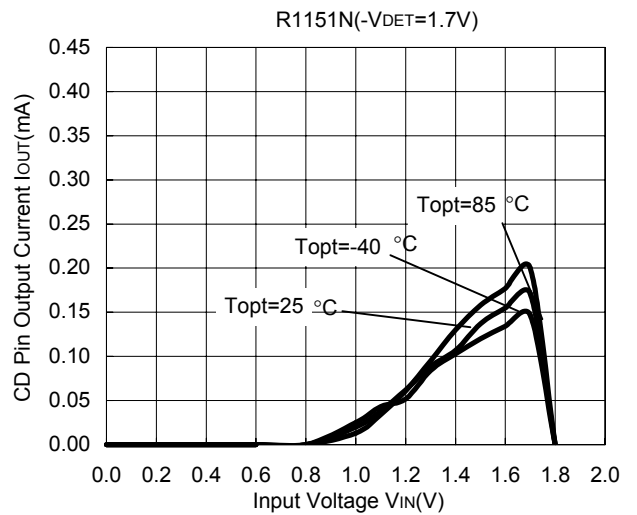
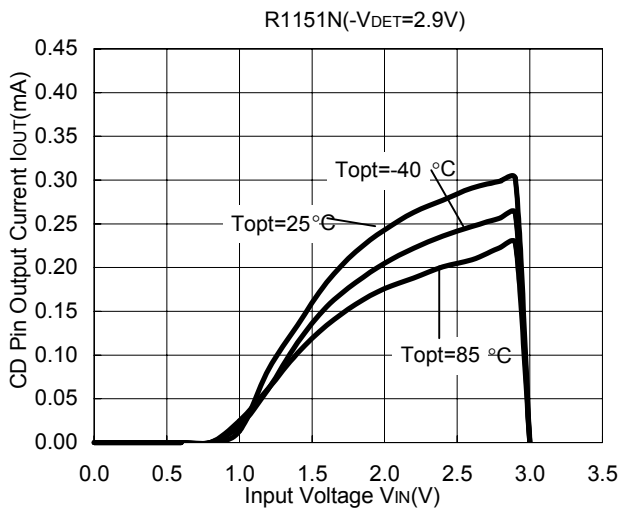
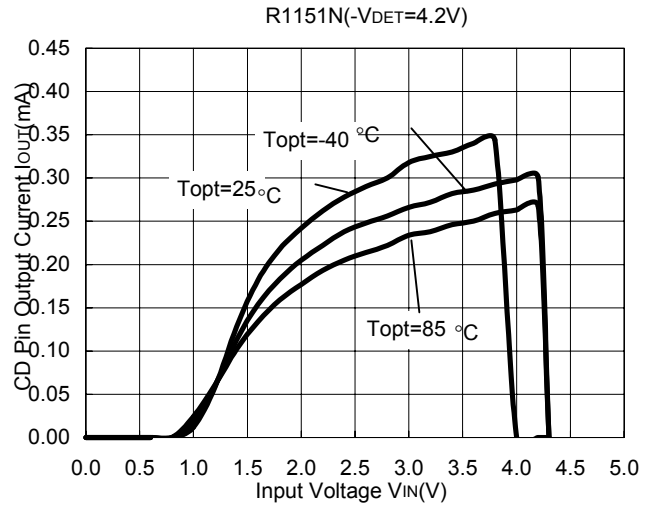
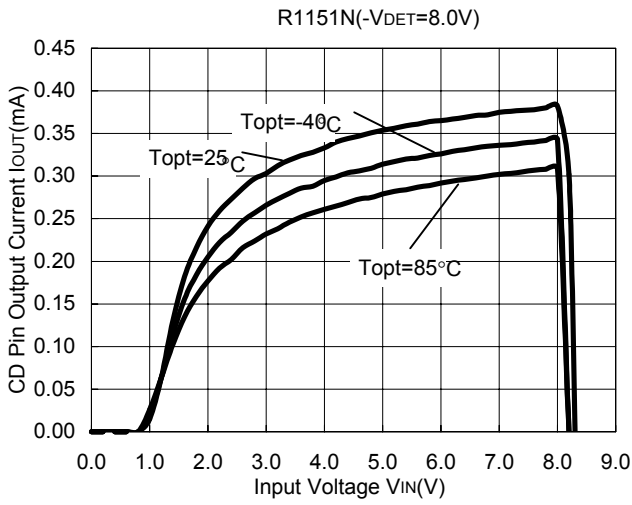
13) Nch Driver Output Current vs. Input Voltage



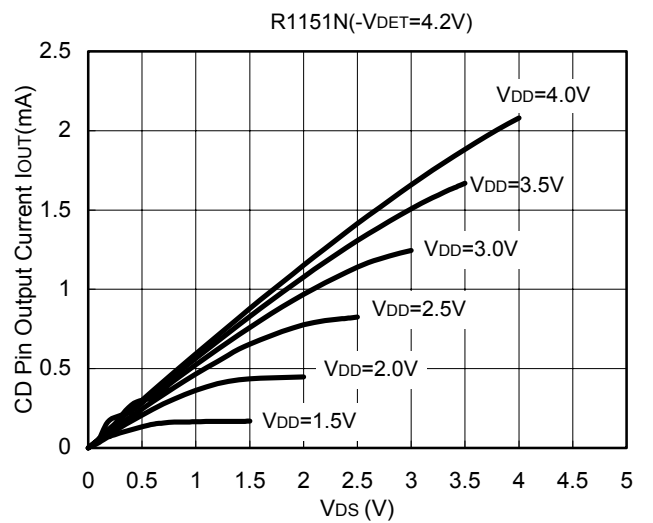
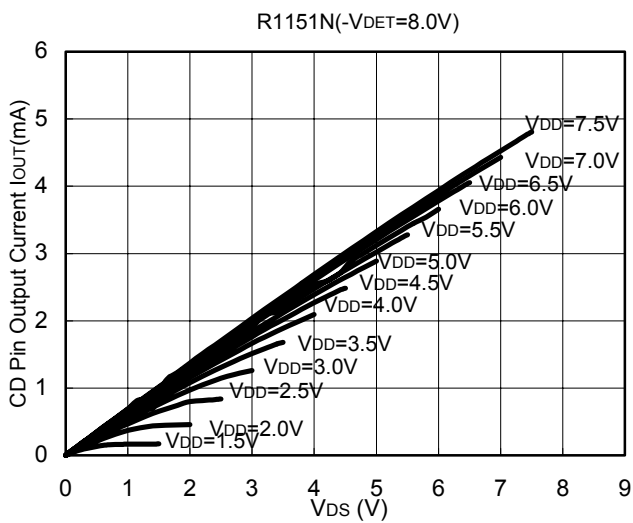
14) CD pin Threshold Voltage vs. Temperature

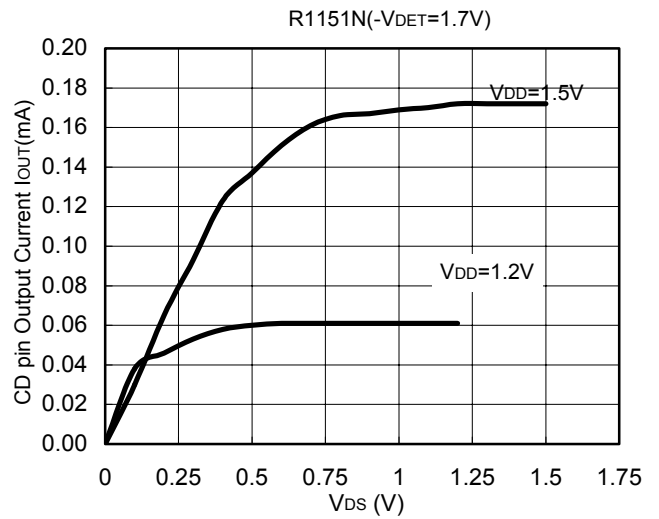
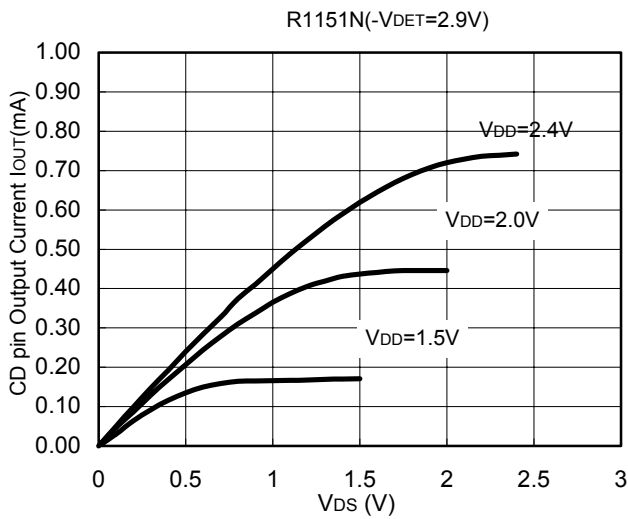


15) CD Pin Output Current vs. Input Voltage

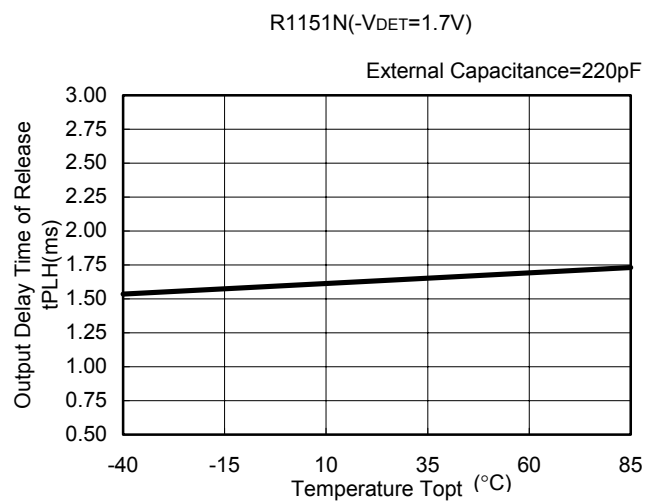
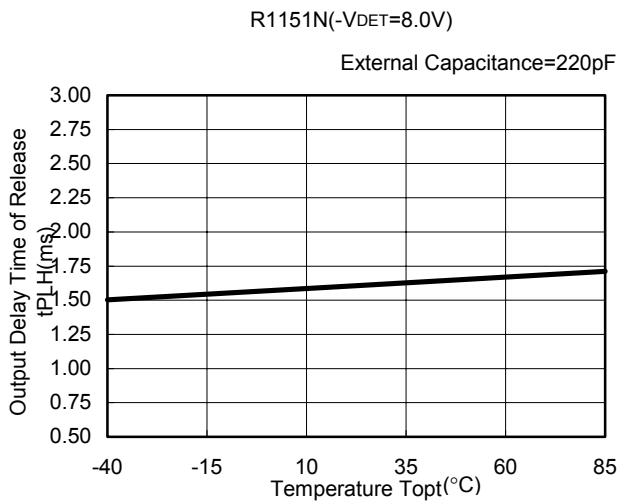


16) CD Pin Output Current vs. V_{DS} (Topt=25°C)

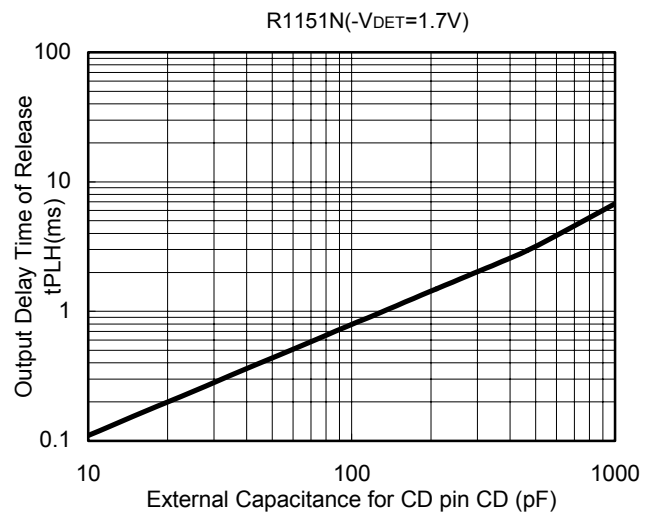
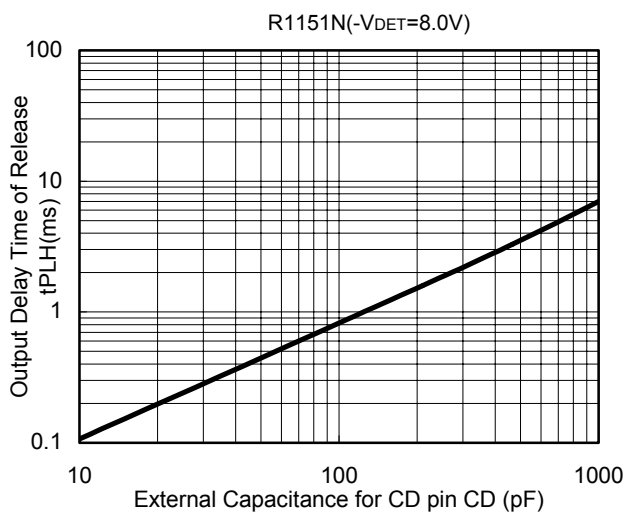




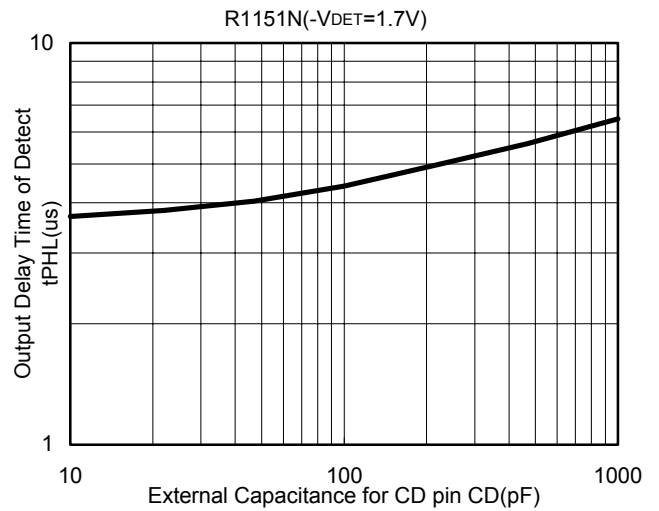
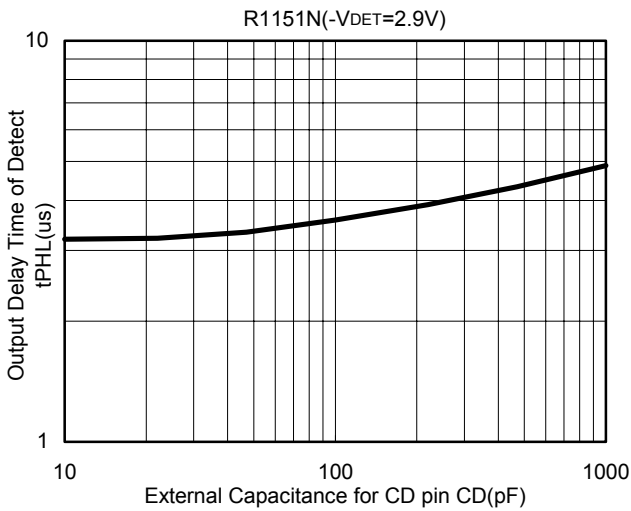
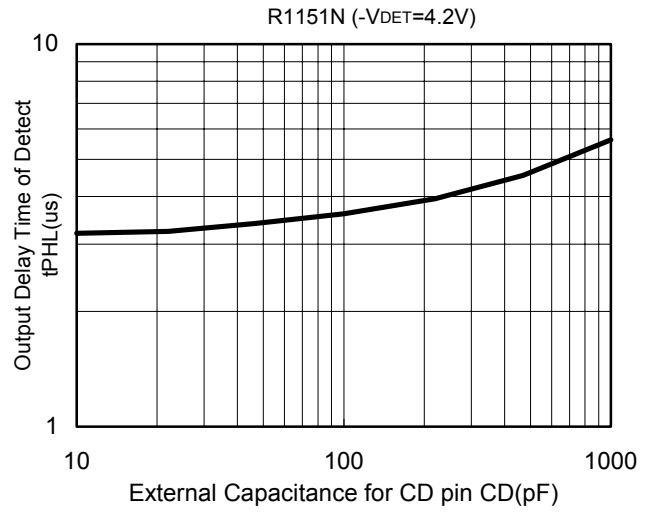
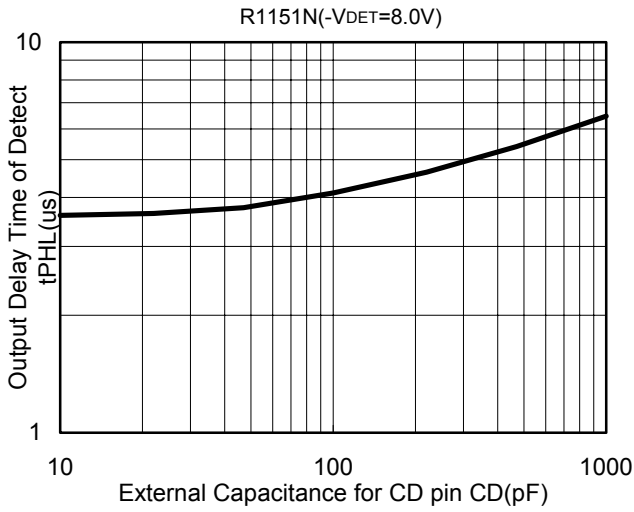
17) Output Delay Time of Release vs. Temperature



18) Output Delay Time of Release vs. External Capacitance for CD pin (T_{opt}=25°C)



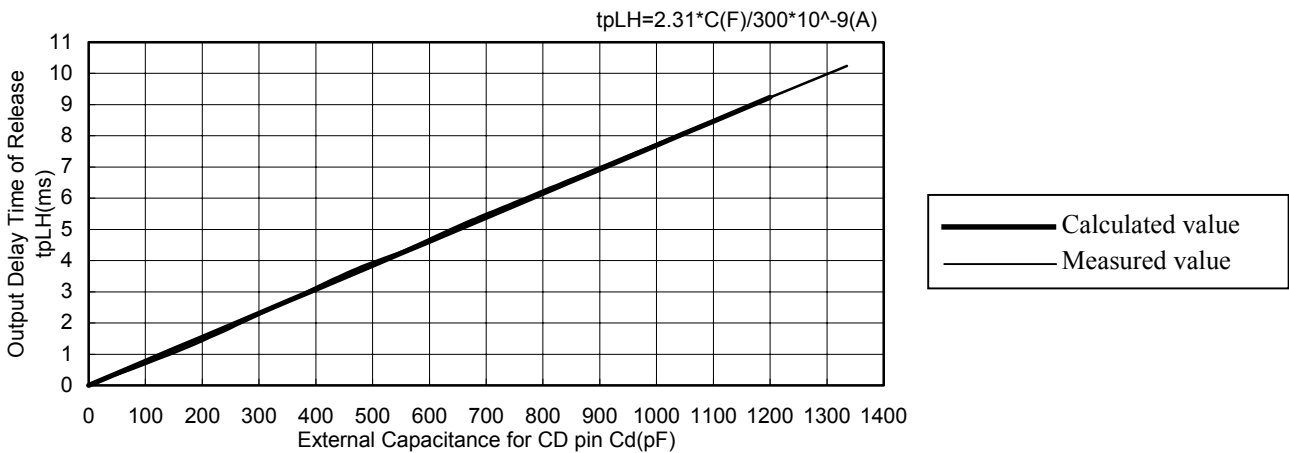
19) Output Delay Time of Detect vs. External Capacitance for CD pin (Topt=25°C)



■ Calculation of Output Delay Time of Release

$$tpLH(s) = 2.31 \times C(F) / (300 \times 10^{-9})(A)$$

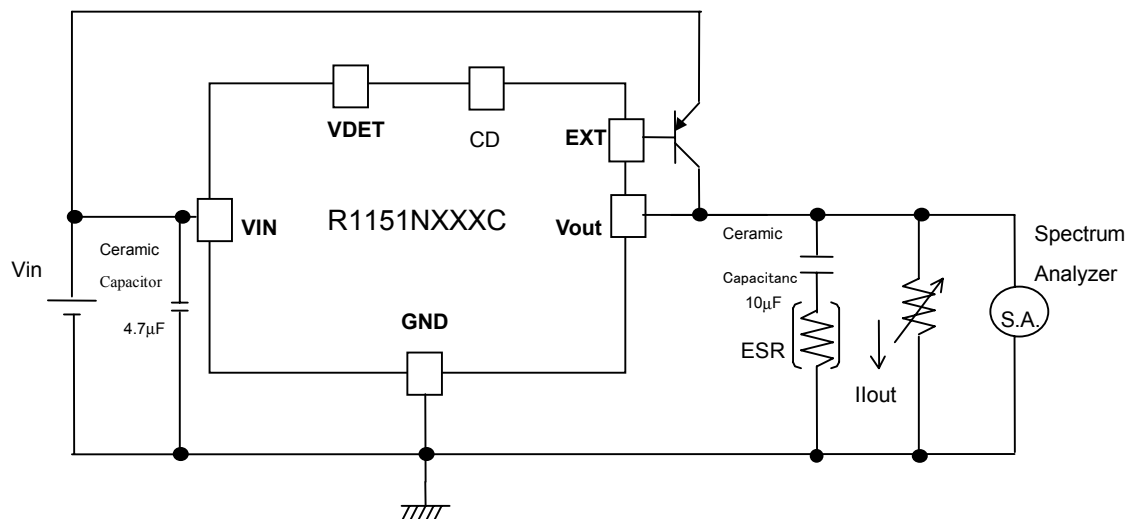
tpLH vs. Capacitance



■ For Stable Operation

Phase Compensation

In these ICs, phase compensation is externally made for securing stable operation even if the load current is varied. For this purpose, be sure to use a capacitor for the output pin with good frequency characteristics and ESR (Equivalent Series Resistance) of which is in the range described as follows:



Measuring Circuit for white noise; R1112NXX1B

The relations between I_{OUT} (Output Current) and ESR of Output Capacitor are shown below. The conditions when the white noise level is under $40\mu\text{V}$ (Avg.) are marked as the hatched area in the graph.

<Measurement conditions>

- (1) $V_{IN} = V_{OUT} + 1\text{V}$
- (2) Frequency band: 10Hz to 1MHz
- (3) Temperature: 25°C
- (4) C_{OUT} : Ceramic $10\mu\text{F}$; ESR= 0.075Ω (10kHz)

