



**Mounting Clips for T-1 (3mm) & T-1 3/4 (5mm) LEDs**

**DESCRIPTION AND FEATURES**

**Series 4303MC**

- This attractive and economical mounting clip installs quickly and provides secure mounting for T-1 high dome LEDs such as 4303F Series.

Material: Black polypropylene

Mounting Hole:  $\varnothing$ .180 min. in panels up to .130 thick.

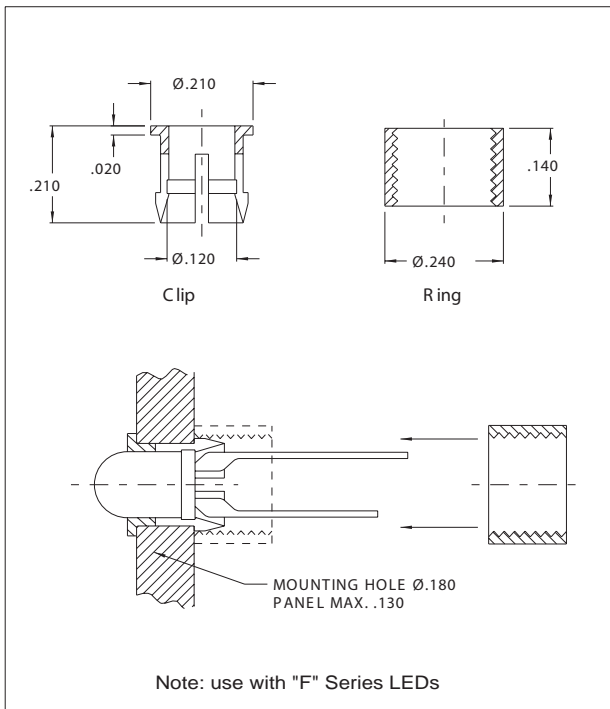
**Series 4304MC**

- This attractive and economical mounting clip installs quickly and provides secure mounting for T-1 3/4 high dome LEDs such as 4301H, 4304H, 4305H or 4308H Series.

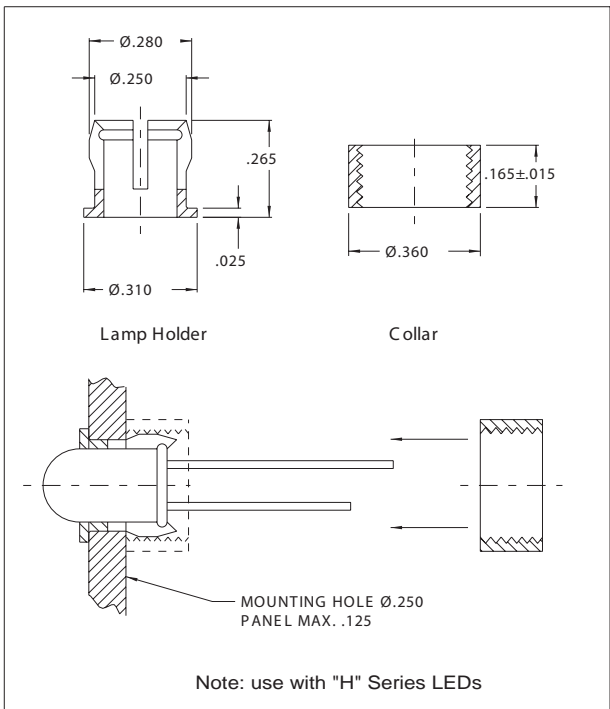
Material: Black polypropylene

Mounting Hole:  $\varnothing$ .250 min. in panels up to .125 thick.

**OUTLINE DIMENSIONS**



**OUTLINE DIMENSIONS**



All dimensions in inches.