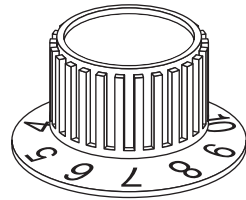
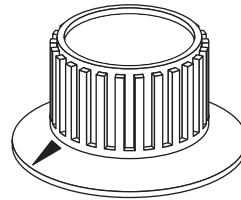


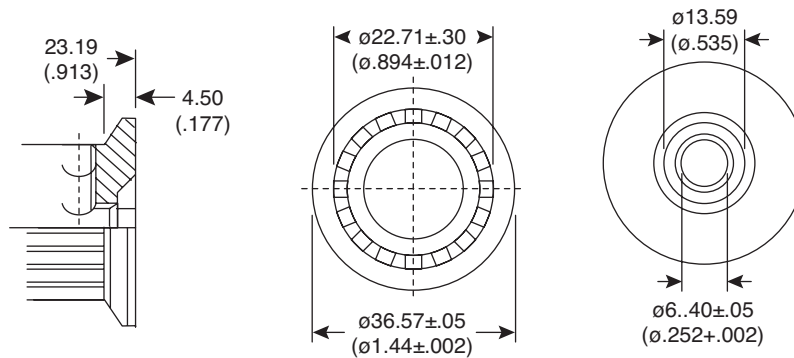
Date Last Revised: 3/2/07



45KN021-GRX



45KN022-GRX



Dimensions: mm (in.)

SPECIFICATIONS	
Type:	control & instrument
Material:	phenolic
Color:	black
Fitting type:	screw (M4 x .7 x 8mm)
RoHS Compliant by Exemption	

Available from Mouser Electronics
 1-800-346-6873
www.mouser.com

EPD-200543