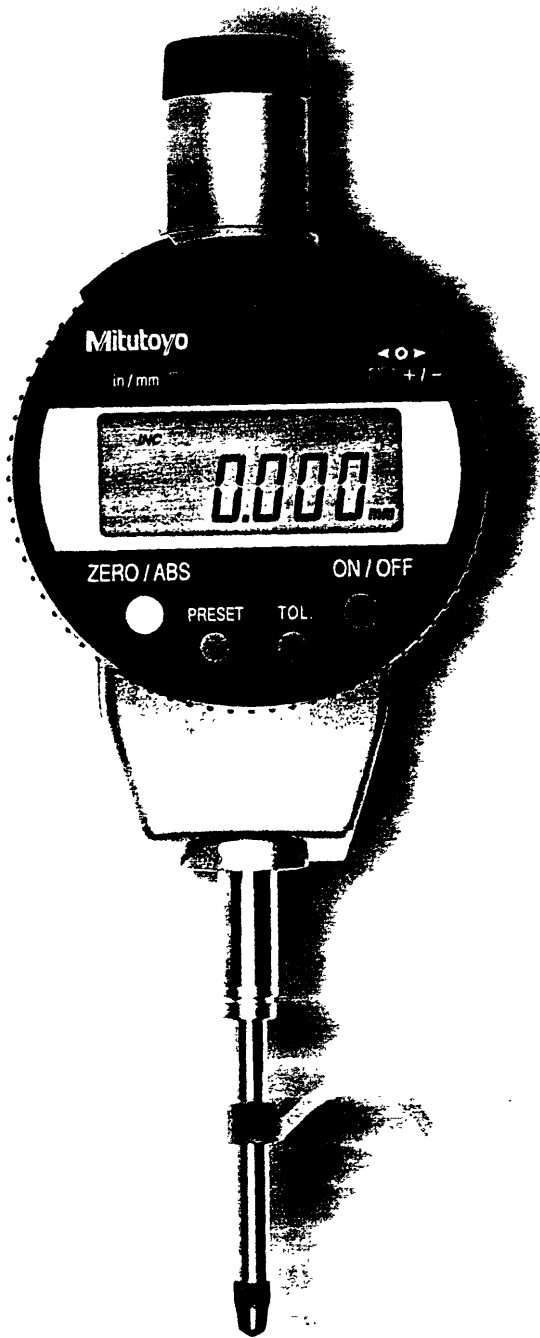


SERIES 543 IDC ABS Digimatic Indicators

SERI



543-451B

Series 543 IDC model

RESOLUTION	RANGE	ACCURACY	NO.
0.001mm/ 0.00005"	0-25.4mm/ 0-1"	0.003mm	543-451B

ABSolute Precision Function

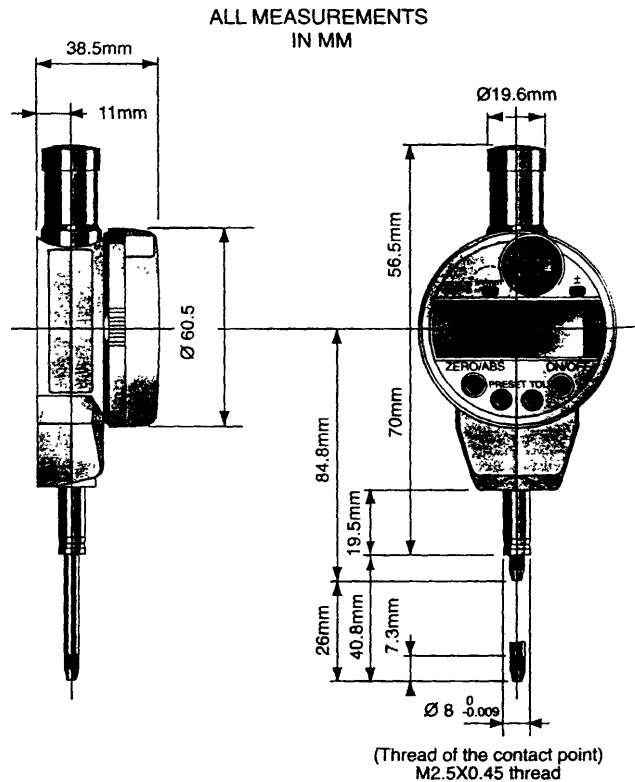
The origin point once set is permanent until changed, regardless of whether the power is on or off (unless battery is removed). This function means overspeed errors are a thing of the past. Incremental mode can be engaged for complete flexibility of Go/No Go measurement.

Features

- ✓ Large LCD display
- ✓ Inch/Metric conversion
- ✓ ABSolute feature
- ✓ Direction change
- ✓ Zero setting
- ✓ On/Off
- ✓ Preset
- ✓ Tolerance setting
- ✓ Data output
- ✓ Magnified judgement results
- ✓ 330 degree bezel rotation

Measurement applications

Long range version of this popular Digital Indicator with many powerful features



Optional Accessories

NO.	ACCESSORY
905338	1 Metre SPC Cable
905409	2 Metre SPC Cable