

LITHIUM BATTERIES



Equivalent: U9VL, LS-9Volt

**ER9V
9.0V 1000mAh**

**lithium-thionyl chloride batteries
Three ER14250 in series**

Electrical characteristics

(Stored for one year or less)


◉ Nominal Capacity (0.5mA to 5.4V, at 25°C)	1000mAh
◉ Nominal voltage	9.0V
◉ Max continuous discharge current	35mA
◉ Max. Pulse current Current value is obtaining 5.4V cell voltage when pulse is applied for 15 seconds at 50% discharge depth at 25°C	100mA
◉ Storage temperature	20°C ~ 30°C
◉ Operating temperature	-55°C ~ 85°C
◉ Weight(approx)	29g

WARNING:

Fire, explosion and severe burn hazard. Do not recharge, crush, disassemble, heat above 100°C, incinerate or expose contents to water.

Key features

- High and stable operating voltage
- Low self-discharge rate
Less than 1% after 1 year of storage at 20°C
- Stainless steel container
- Hermetic glass-to-metal sealing
- Non-flammable electrolyte
- Compliant with IEC 86-4 safety standard
- Non-restricted for transport

 UL Component Recognition
File Number MH 45782

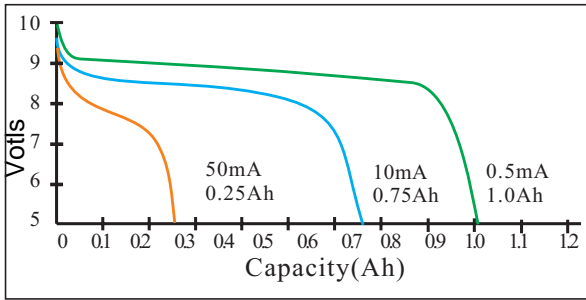
Main applications

- TPMS
- Alarms and security system
- Memory back-up
- Tracking system
- Automotive electronics
- Professional electronics
- Computer real-time clocks

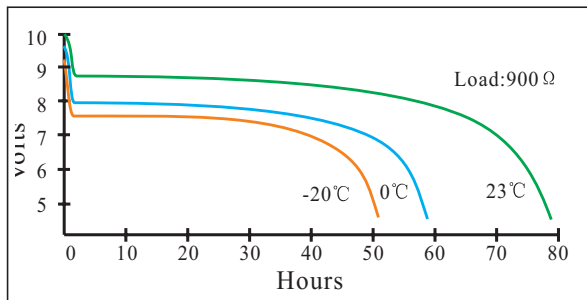
.....

LITHIUM BATTERIES

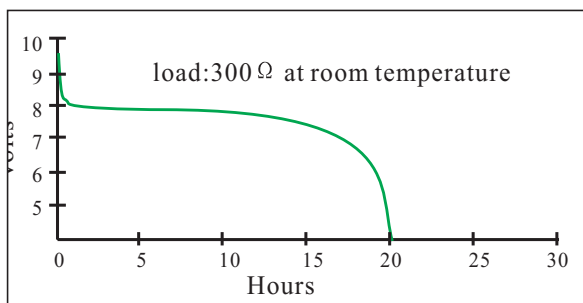
Typical discharge at 25°C



Typical Continuous Discharge

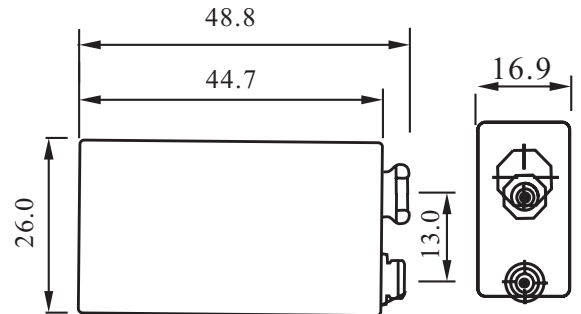


Typical Continuous Discharge



ER9V

lithium-thionyl chloride batteries
Three Er14250 in series



Unit: mm

Available Terminations	
-/P	Axial Pin
-/T /PT2	Radial Pin
-/PT /TP	Polarized Tab