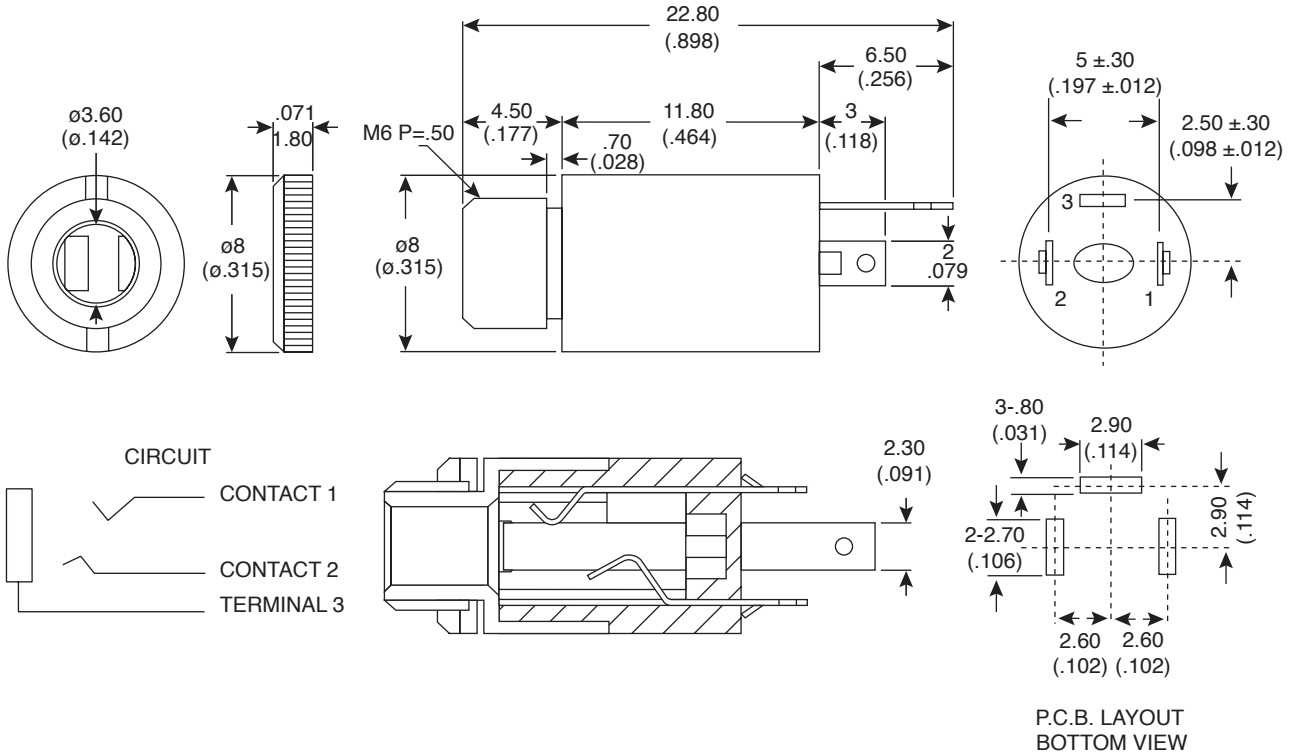


3.5mm Stereo Jack

161-7400



3.5mm Stereo Jack



DIMENSIONS mm (In.)

SPECIFICATIONS	
Contact Resistance:	30mΩ max.
Insulation Resistance:	100MΩ min. @ 500VDC
Dielectric Strength:	500VAC for 1 minute
Life Cycle:	5000 cycles min.
Operations Temperature Range:	-25°C ~ 80°C
Insertion/Extraction Force:	5N-20N (0.5 kgf.-2 kgf.)
Contacts:	Nickel plated brass
Body:	PBT-G30%
Electrical Rating:	34VDC/VAC @ 1A
Rating:	34VAC/DC, 1A
Mating Plugs:	17PP004, 171-3300, 171-3301, 171-3308
Threadsize:	M6 P=0.5

Date Last Revised: 6-27-05

Available from Mouser Electronics
1-800-346-6873
www.mouser.com

KC-300491

161-7400