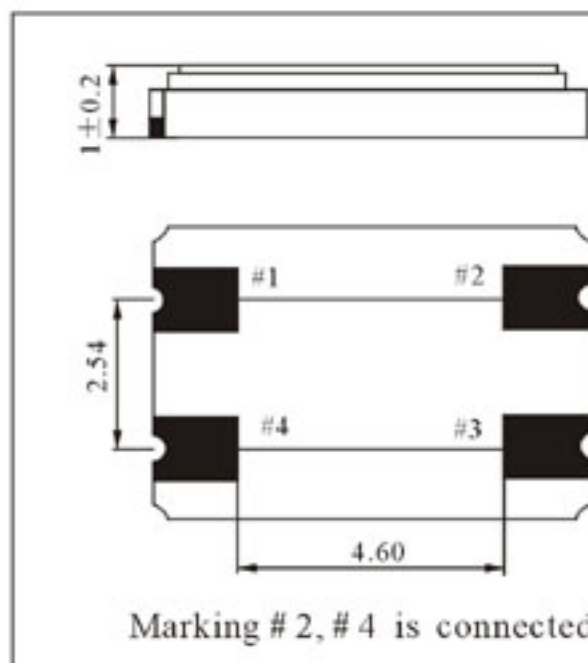
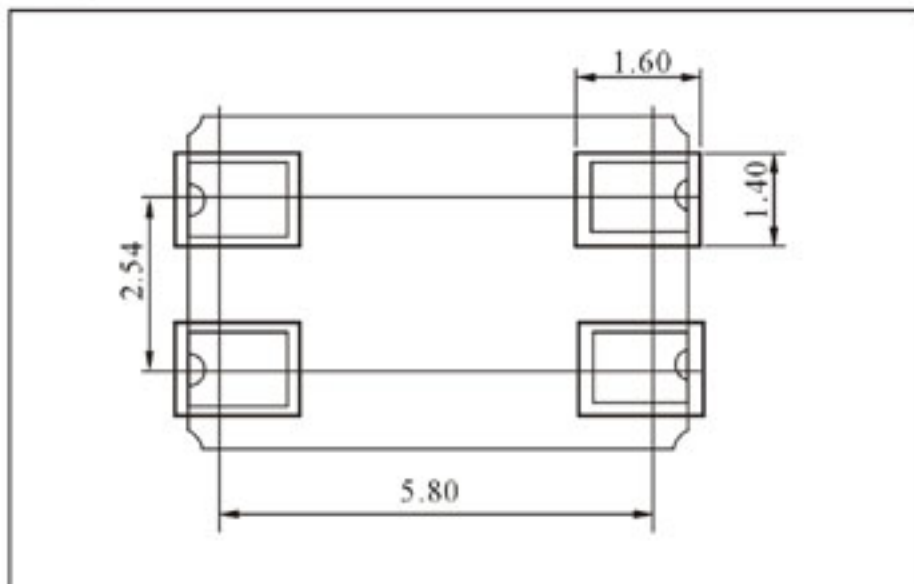


5.0±0.1

LAND PATTERN LAYOUT (EXAMPLE)



PART NUMBER GUIDE 部件号示例 e.g. FTX32.576M20SM7S (*SM7S=7.0X5.0 SMD S-S)

| | Quartz Crystal Resonator 石英晶体谐振器 | Frequency 频率 | Load Capacitance 负载电容 |
|----|-------------------------------------|-----------------|--------------------------|
| FT | X | 32.576MHz | 20 |

PARAMETERS 技术参数

| PARAMETERS | 参数 | SPECIFICATION 规格 | |
|-----------------------|--------|-----------------------------|-----|
| Frequency Range | 频率范围 | 10MHz~40MHz | |
| Operation Mode | 振动模式 | Fundamental | |
| Load Capacitance | 负载电容 | Series 8pF, 10pF, 12pF | |
| Drive Level | 激励电平 | 10uW(300uW Max) | |
| Frequency Tolerance | 频率偏差 | ±10ppm ~ ±30 ppm Std. | |
| Motional Resistance | 谐振电阻 | 50 Ω max | |
| Frequency Stability | 频率稳定性 | ±5, ±10, ±15, ±20(Unit:ppm) | ±5, |
| Operating Temp. Range | 工作温度范围 | -10°C ~ +60°C | |
| Storage Temp. Range | 储存温度范围 | -40°C ~ +85°C | |

© All specifications subject change without notice. 规格变化, 恕不另行通知