

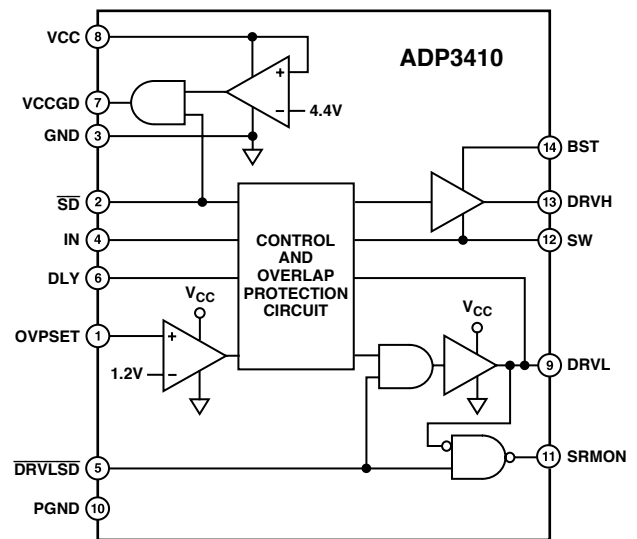
FEATURES

- All-In-One Synchronous Buck Driver
- One PWM Signal Generates Both Drives
- Anticross-Conduction Protection Circuitry
- Programmable Transition Delay
- Synchronous Override Control
- Undervoltage Lockout
- Programmable Overvoltage Shutdown
- V_{CC} Good Signal Drives Auxiliary Circuits
- Shutdown Quiescent Current < 10 μ A

APPLICATIONS

- Mobile Computing CPU Core Power Converters
- Multiphase Desktop CPU Supplies
- Single-Supply Synchronous Buck Converters
- Standard-to-Synchronous Converter Adaptations

FUNCTIONAL BLOCK DIAGRAM



GENERAL DESCRIPTION

The ADP3410 is a dual MOSFET driver optimized for driving two N-channel FETs that are the two switches in the non-isolated synchronous buck power converter topology. Each of the drivers is capable of driving a 3000 pF load with a 20 ns propagation delay and a 30 ns transition time. One of the drivers can be bootstrapped, and is designed to handle the high-voltage slew rate associated with “floating” high-side gate drivers. The ADP3410 has several protection features: overlapping drive prevention (ODP), undervoltage lockout (UVLO) with performance specified at very low V_{CC} levels, and overvoltage protection (OVP) that can be used to monitor either the input or output. Additional features include: programmable transition delay, a synchronous drive override control pin, a synchronous drive status monitor and, in conjunction with exiting from the UVLO mode, a V_{CC} Good (VCCGD) signal capable of driving a 10 mA load. The quiescent current, when the device is disabled, is less than 10 μ A.

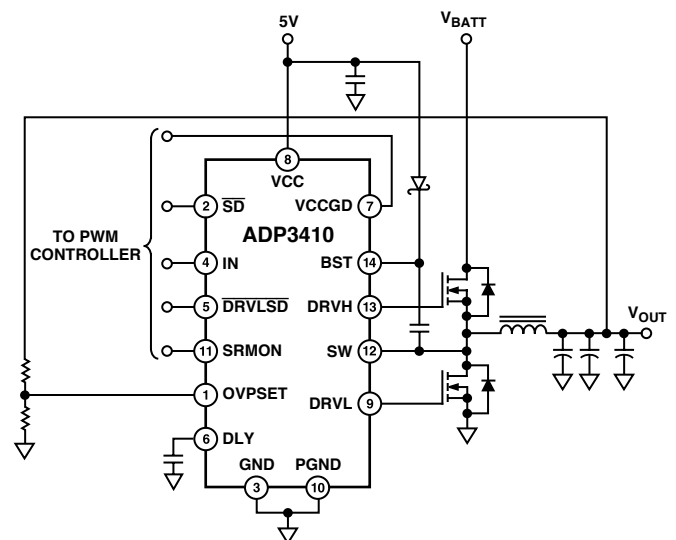


Figure 1. Typical Application Circuit

REV. A

Information furnished by Analog Devices is believed to be accurate and reliable. However, no responsibility is assumed by Analog Devices for its use, nor for any infringements of patents or other rights of third parties that may result from its use. No license is granted by implication or otherwise under any patent or patent rights of Analog Devices.

ADP3410—SPECIFICATIONS¹ (T_A = 0°C to 85°C, V_{CC} = 5 V, V_{BST} = 4 V to 26 V, \overline{SD} > 2 V, unless otherwise noted.)

Parameter	Symbol	Conditions	Min	Typ	Max	Unit
SUPPLY						
Supply Voltage Range	V _{CC}		4.15	5.0	6.0	V
Quiescent Current	I _{CCQ}					μA
Shutdown Mode		V _{SD} < 0.8 V			10	μA
Operating Mode		V _{SD} > 2.0 V, No Switching		1	2	mA
VCCGD OUTPUT						
Output Voltage High		V _{CC} = 4.6 V, I _{LOAD} = 10 mA	4.5	4.55		V
Output Voltage Low		V _{CC} < UVLO, I _{LOAD} = 10 μA		0.1	0.2	V
VCCGD Propagation Delay ^{2, 3} (See Figure 4)	t _{pdh} VCCGD, t _{pdl} VCCGD	\overline{SD} Goes High \overline{SD} Goes Low			10 10	μs μs
SYNCHRONOUS RECTIFIER MONITOR						
Output Voltage High			4.15			V
Output Voltage Low		V _{CC} = 4.6 V, C _{LOAD} = 100 pF			50	mV
Transition Time ²	t _{rSRMON} , t _{fSRMON}	V _{CC} = 4.6 V, C _{LOAD} = 100 pF DRVLS _D Is High and DRVLS _D Goes High, or DRVLS _D Goes Low			20	ns
Propagation Delay ^{2, 3}	t _{pdl} SRMON	DRVLS _D Is High and DRVLS _D Goes Low			15	ns
UNDERVOLTAGE LOCKOUT						
UVLO Threshold			4.2	4.4	4.6	V
UVLO Hysteresis				0.05		V
UVLO Logic Active Threshold					1.5	V
UVLO Propagation Delay ^{2, 3} (See Figure 5)	t _{pdh} UVLO t _{pdl} UVLO	V _{CC} Goes High V _{CC} Goes Low			10 10	μs μs
OVERVOLTAGE PROTECTION						
Trip Threshold			1.145	1.2	1.255	V
Hysteresis				0.8		V
Bias Current				0.2	1.0	μA
OVP Propagation Delay ^{2, 3, 4}	t _{pdh} OVP	V _{CC} = 4.6 V, OVPSET Goes High			0.5	μs
SYNCHRONOUS RECTIFIER ENABLE						
DRVLS _D			2.0			V
Input Voltage High ⁵					0.8	V
Input Voltage Low ⁵				30		ns
Propagation Delay ^{2, 3} (See Figure 3)	t _{pdl} DRVLS _D , t _{pdh} DRVLS _D	V _{CC} = 4.6 V, C _{LOAD} (DRVLS) = 3 nF				
\overline{SD} INPUT						
Input Voltage High ⁵			2.0			V
Input Voltage Low ⁵					0.8	V
PWM INPUT (IN)						
Input Voltage High ⁵			2.0			V
Input Voltage Low ⁵					0.8	V
THERMAL SHUTDOWN						
Overtemperature Trip Point				165		°C
OTP Hysteresis				10		°C
HIGH-SIDE DRIVER						
Output Resistance, Sourcing Current		V _{BST} - V _{SW} = 4.6 V		2.5	5	Ω
Output Resistance, Sinking Current		V _{BST} - V _{SW} = 4.6 V		2.5	5	Ω
DRVH Transition Times ² (See Figure 6)	t _{rDRVH} , t _{fDRVH}	V _{BST} - V _{SW} = 4.6 V, C _{LOAD} = 3 nF		20	35	ns
DRVH Propagation Delay ^{2, 3, 6} (See Figure 6)	t _{pdh} DRVH, t _{pdl} DRVH	V _{BST} - V _{SW} = 4.6 V	10	20		ns ns

Parameter	Symbol	Conditions	Min	Typ	Max	Unit
LOW-SIDE DRIVER						
Output Resistance, Sourcing Current		$V_{CC} = 4.6\text{ V}$		2.5	5	Ω
Output Resistance, Sinking Current		$V_{CC} = 4.6\text{ V}$		2.5	5	Ω
DRVL Transition Times ² (See Figure 6)	$t_{r_{DRVL}}$ $t_{f_{DRVL}}$	$V_{CC} = 4.6\text{ V}, C_{LOAD} = 3\text{ nF}$		20	35	ns
DRVL Propagation Delay ^{2, 3} (See Figure 6)	$tpd_{h_{DRVL}}$ $tpd_{l_{DRVL}}$	$V_{CC} = 4.6\text{ V}$	5		30 25	ns ns

NOTES

¹All limits at temperature extremes are guaranteed via correlation using standard Statistical Quality Control (SQC) methods.

²AC specifications are guaranteed by characterization, but not production tested.

³For propagation delays, $tpdh$ refers to the specified signal going high, $tpdl$ refers to it going low.

⁴Propagation delay measured until DRVL begins its transition.

⁵Logic inputs meet typical CMOS I/O conditions for source/sink current (~1 mA).

⁶Maximum propagation delay = 40 ns max + (1 ns/pF \times C_{DLV}).

Specifications subject to change without notice.

ABSOLUTE MAXIMUM RATINGS*

VCC to PGND	-0.3 V to +7 V
BST to PGND	-0.3 V to +30 V
BST to SW	-0.3 V to +7 V
SW to PGND	-2.0 V to +25 V
OVPSET to PGND	-0.3 V to +10 V
\overline{SD} , IN, $\overline{DRVLS\overline{D}}$ to GND	-0.3 V to +7.3 V
GND to PGND	$\pm 0.3\text{ V}$
Operating Ambient Temperature Range	0°C to 85°C
Operating Junction Temperature Range	0°C to 125°C
θ_{JA}	155°C/W
θ_{JC}	40°C/W
Storage Temperature Range	-65°C to +150°C
Lead Temperature (Soldering, 10 sec)	300°C

*This is a stress rating only; operation beyond these limits can cause the device to be permanently damaged.

CAUTION

ESD (electrostatic discharge) sensitive device. Electrostatic charges as high as 4000 V readily accumulate on the human body and test equipment and can discharge without detection. Although the ADP3410 features proprietary ESD protection circuitry, permanent damage may occur on devices subjected to high-energy electrostatic discharges. Therefore, proper ESD precautions are recommended to avoid performance degradation or loss of functionality.

ORDERING GUIDE

Model	Temperature Range	Package Description	Package Option
ADP3410KRU	0°C to 85°C	Thin Shrink Small Outline Package (TSSOP-14)	RU-14

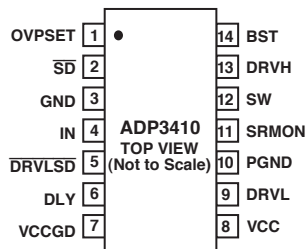


ADP3410

PIN FUNCTION DESCRIPTIONS

Pin	Mnemonic	Function
1	OVPSET	Overvoltage Shutdown Sense Input. Shutdown occurs when this pin is driven above the specified threshold. It is a high-impedance comparator input, so an external resistor divider can be used to scale the controlling voltage for OVP.
2	\overline{SD}	Shutdown. When high, this pin enables normal operation. When low, VCCGD, DRVH, and DRVL are forced low and the supply current (ICCQ) is minimized as specified.
3	GND	Signal Ground. The input signal and the capacitor at DLY should be closely referenced to this ground.
4	IN	TTL-level input signal which has primary control of the drive outputs.
5	\overline{DRVLSD}	Synchronous Rectifier Enable. When low, this signal forces DRVL low. The propagation delay time is on the order of that for the main input signal, so it can be used for real time modulation control of DRVL. When \overline{DRVLSD} is high, DRVL is enabled and controlled by IN.
6	DLY	Low-High-Transition Delay. A capacitor from this pin to ground programs the propagation delay from turn-off of the lower FET to turn-on of the upper FET. The formula for the low-high-transition delay is $DLY = C_{DLY} \times (1 \text{ ns/pF}) + 20 \text{ ns}$. The rise time for turn-on of the upper FET is not included in the formula.
7	VCCGD	VCC Good. This pin indicates the status of the undervoltage lockout. When VCC is high enough for the device to exit UVLO mode, the VCCGD pin is pulled up to VCC with the specified low impedance. This signal is capable of acting as a switched power rail for external circuitry, since it can source 10 mA and sink 10 μ A.
8	VCC	Input Supply. This pin should be bypassed to PGND with $\sim 1 \mu$ F ceramic capacitor.
9	DRVL	Synchronous Rectifier Drive. Output drive for the lower (synchronous rectifier) FET.
10	PGND	Power Ground. Should be closely connected to the source of the lower FET.
11	SRMON	Synchronous Rectifier Monitor. When \overline{DRVLSD} is high, SRMON follows DRVL. When \overline{DRVLSD} is low, SRMON is high. TTL-type output.
12	SW	This pin is connected to the buck switching node, close to the upper FET's source. It is the floating return for the upper FET drive signal. Also, it is used to monitor the switched voltage to prevent turn-on of the lower FET until the voltage is below $\sim 1 \text{ V}$. Thus, the high-low-transition delay is determined at this pin according to operating conditions. This pin can be subjected to voltages as low as 2 V below PGND.
13	DRVH	Buck Drive. Output drive for the upper (buck) FET.
14	BST	Floating Bootstrap Supply for the upper FET. A capacitor connected between BST and SW pins holds this bootstrapped voltage for the high-side FET as it is switched. The capacitor should be chosen between 0.1 μ F and 1 μ F.

PIN CONFIGURATION



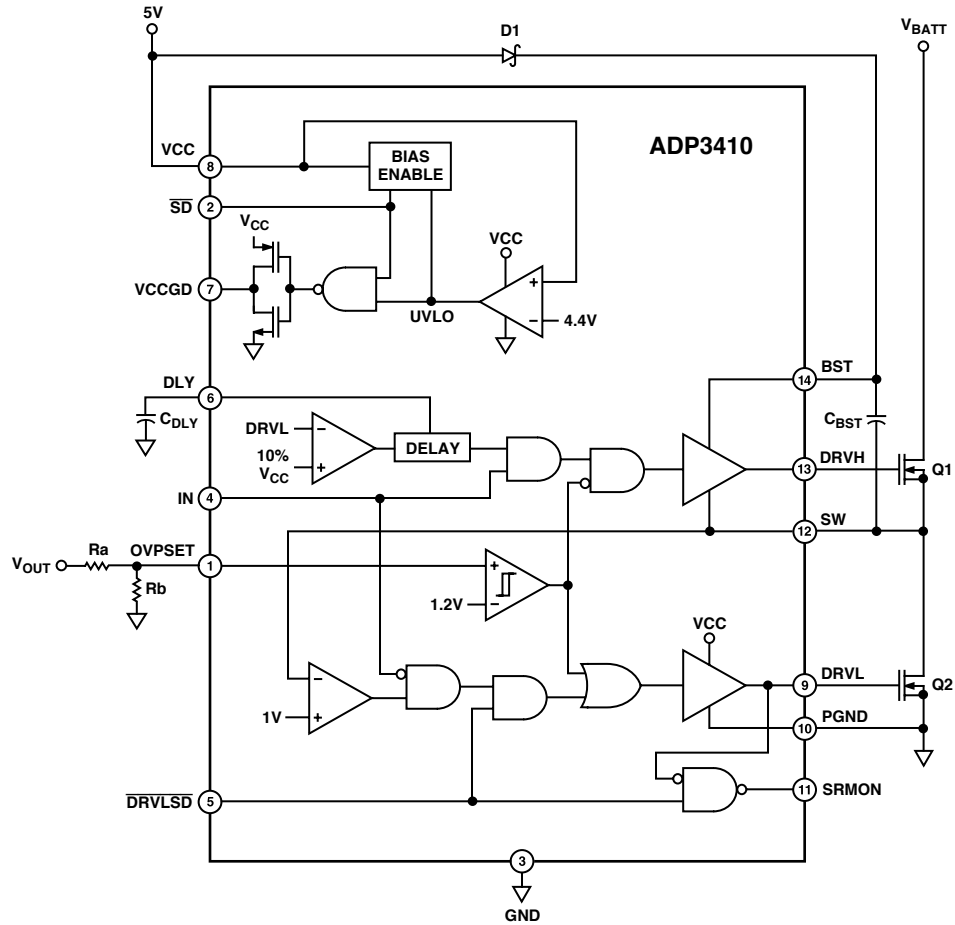


Figure 2. Functional Block Diagram

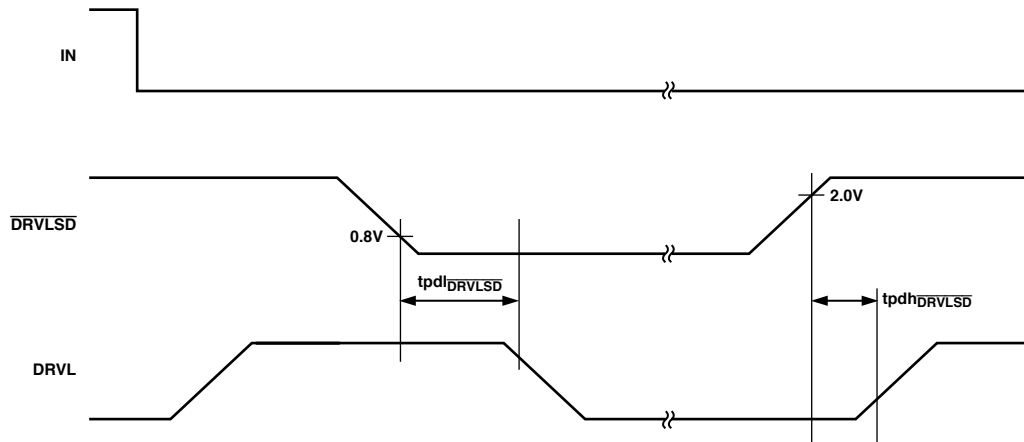


Figure 3. $\overline{DRVLS_D}$ Propagation Delay

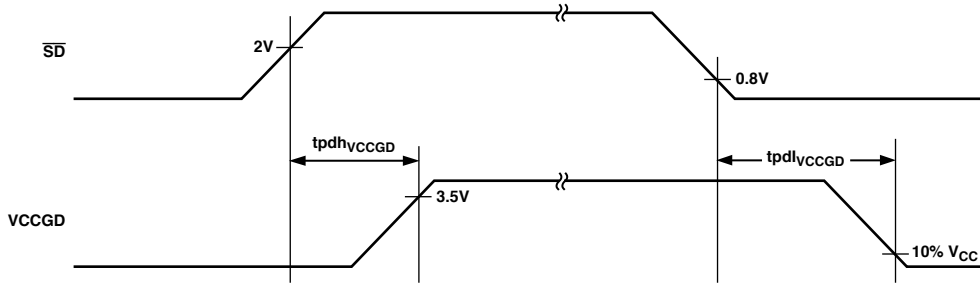


Figure 4. VCCGD Propagation Delay

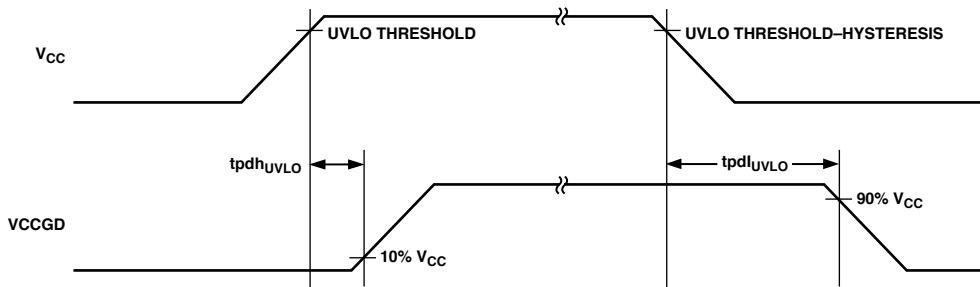


Figure 5. UVLO Propagation Delay

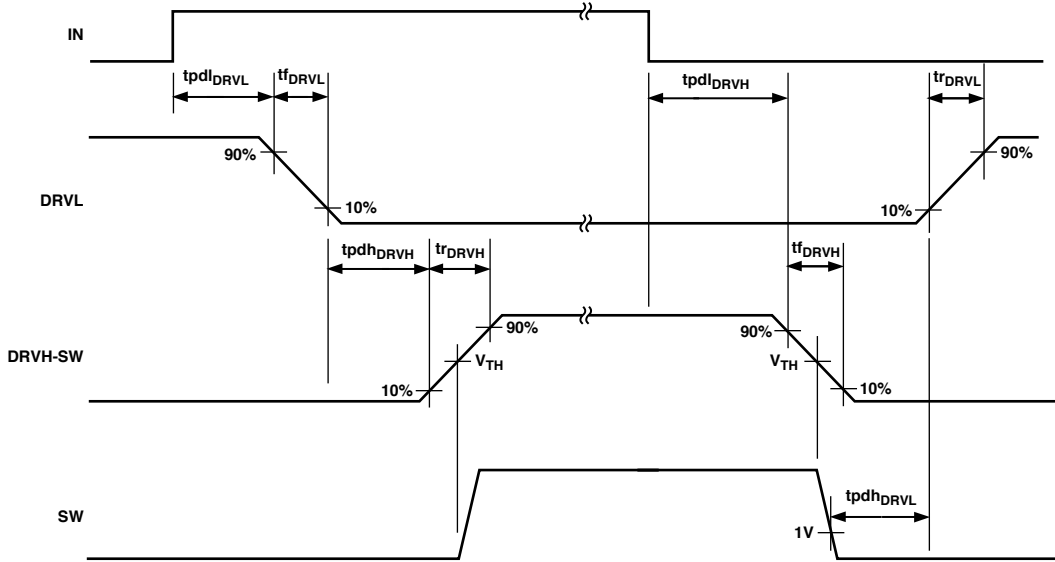
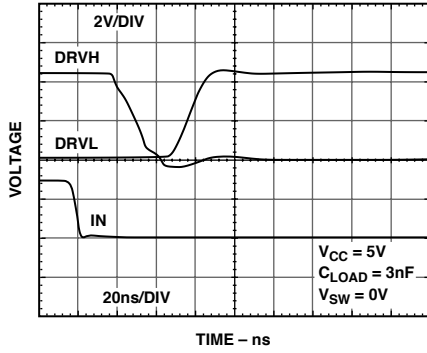
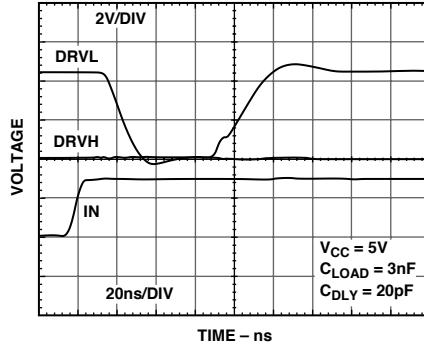


Figure 6. Nonoverlap Timing Diagram

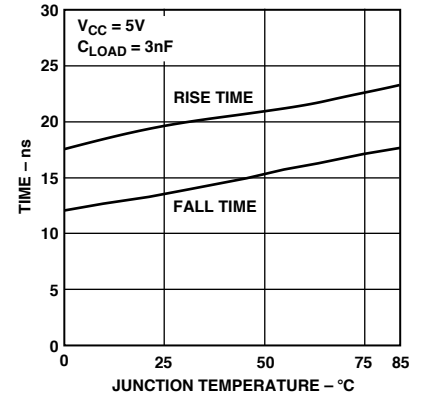
Typical Performance Characteristics—ADP3410



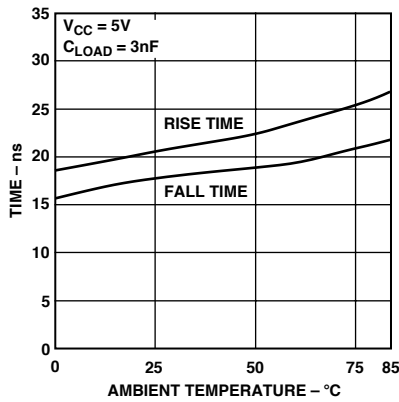
TPC 1. DRVH Fall and DRVL Rise Times



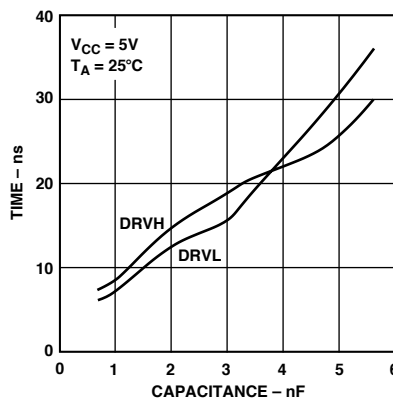
TPC 2. DRVL Fall and DRVH Rise Times



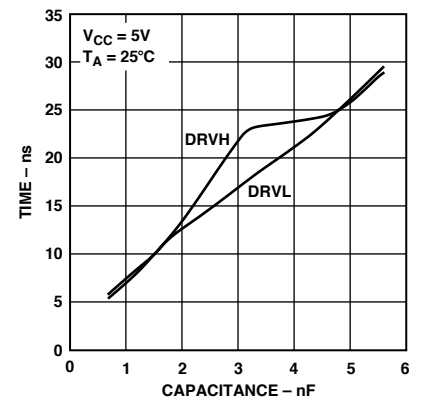
TPC 3. DRVH Rise and Fall Times vs. Temperature



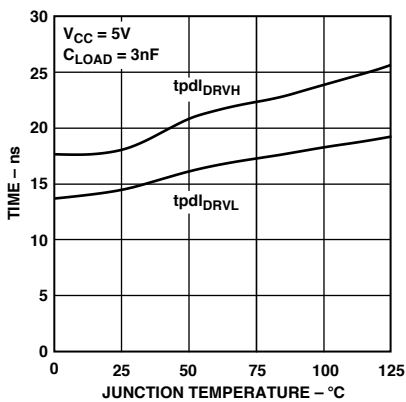
TPC 4. DRVL Rise and Fall Times vs. Temperature



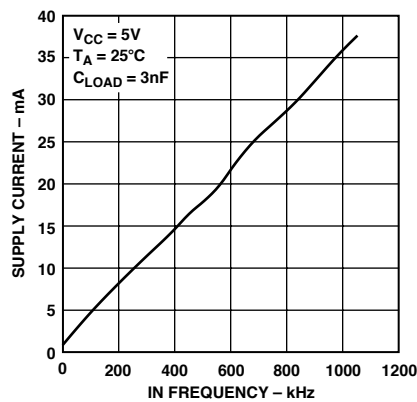
TPC 5. DRVH and DRVL Rise Times vs. Load Capacitance



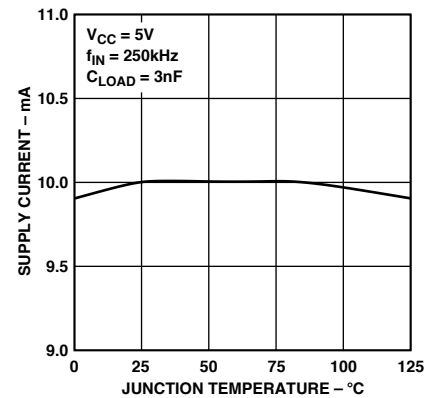
TPC 6. DRVH and DRVL Fall Times vs. Load Capacitance



TPC 7. Propagation Delay vs. Temperature



TPC 8. Supply Current vs. Frequency



TPC 9. Supply Current vs. Temperature

ADP3410

THEORY OF OPERATION

The ADP3410 is a dual MOSFET driver optimized for driving two N-channel FETs in a synchronous buck converter topology. A single PWM input signal is all that is required to properly drive the high-side and the low-side FETs. Each driver is capable of driving a 3 nF load with only a 20 ns transition time.

A more detailed description of the ADP3410 and its features follows. Refer to the functional block diagram.

Low-Side Driver

The low-side driver is designed to drive low- $R_{DS(ON)}$ N-channel MOSFETs. The maximum output resistance for the driver is 5 Ω s for both sourcing and sinking gate current. The low-output resistance allows the driver to have 20 ns rise and fall times into a 3 nF load. The bias to the low-side driver is internally connected to the VCC supply and PGND.

When the driver is enabled, the driver's output is 180° out of phase with the PWM input. When the driver is shut down or the entire ADP3410 is in shutdown or in under voltage lockout, the low-side gate is held low.

High-Side Driver

The high-side driver is designed to drive a floating low $R_{DS(ON)}$ N-channel MOSFET. The maximum output resistance for the driver is 5 Ω s for both sourcing and sinking gate current. The low output resistance allows the driver to have 20 ns rise and fall times into a 3 nF load. The bias voltage for the high-side driver is developed by an external bootstrap supply circuit, which is connected between the BST and SW pins.

The bootstrap circuit comprises a Schottky diode, D1, and bootstrap capacitor, C_{BST} . When the ADP3410 is starting up, the SW pin is at ground, so the bootstrap capacitor will charge up to VCC through D1. As the input voltage ramps up and exceeds the UVLO threshold, the high-side driver is enabled. When the PWM input goes high, the high-side driver will begin to turn the high-side FET, Q1, ON by pulling charge out of C_{BST} . As Q1 turns ON, the SW pin will rise up to V_{BATT} , forcing the BST pin to $V_{BATT} + V_{C(BST)}$, which is enough gate-to-source voltage to hold Q1 ON. To complete the cycle, Q1 is switched OFF by pulling the gate down to the voltage at the SW pin. When the low-side FET, Q2, turns ON, the SW pin is pulled to ground. This allows the bootstrap capacitor to charge up to VCC again.

The high-side driver's output is in phase with the PWM input. When the driver is in under-voltage lockout, the high-side gate is held low.

Overlap Protection Circuit

The Overlap Protection Circuit (OPC) prevents both of the main power switches, Q1 and Q2, from being ON at the same time. This is done to prevent shoot-through currents from flowing through both power switches and the associated losses that can occur during their ON-OFF transitions. The overlap protection circuit accomplishes this by adaptively controlling the delay from Q1's turn OFF to Q2's turn ON, and by programming the delay from Q2's turn OFF to Q1's turn ON.

To prevent the overlap of the gate drives during Q1's turn OFF and Q2's turn ON, the overlap circuit monitors the voltage at the SW pin. When the PWM input signal goes low, Q1 will begin to turn OFF (after a propagation delay), but before Q2 can turn ON, the overlap protection circuit waits for the voltage at the SW pin to fall from V_{BATT} to 1 V. Once the voltage on the SW pin

has fallen to 1 V, Q2 will begin turn ON. By waiting for the voltage on the SW pin to reach 1 V, the overlap protection circuit ensures that Q1 is OFF before Q2 turns on, regardless of variations in temperature, supply voltage, gate charge, and drive current.

To prevent the overlap of the gate drives during Q2's turn OFF and Q1's turn ON, the overlap circuit provides a programmable delay that is set by a capacitor on the DLY pin. When the PWM input signal goes high, Q2 will begin to turn OFF (after a propagation delay), but before Q1 can turn ON, the overlap protection circuit waits for the voltage at DRVL to drop to around 10% of VCC. Once the voltage at DRVL has reached the 10% point, the overlap protection circuit will wait for a 20 ns typical propagation delay plus an additional delay based on the external capacitor, C_{DLY} . The delay capacitor adds an additional 1 ns/pF of delay. Once the programmable delay period has expired, Q1 will begin turn ON. The delay allows time for current to commute from the body diode of Q2 to an external Schottky diode, which allows turn-off losses to be reduced. Although not as foolproof as the adaptive delay, the programmable delay adds a safety margin to account for variations in size, gate charge, and internal delay of the external power MOSFETs.

Overvoltage Protection

An overvoltage protection circuit monitors the output voltage for an overvoltage condition. This condition is possible if Q1 should fail. If this should occur, the output voltage would begin to rise up to the battery voltage where it would pose the threat of damage to the devices connected to the output. By adding a resistor divider, Ra and Rb, to the OVPSET pin, the output voltage can be monitored for this fault condition.

If the voltage on the OVPSET pin exceeds the 1.2 V threshold, this indicates a fault condition and Q1 is turned OFF and the low-side FET (synchronous rectifier) is turned ON. The power switches will remain in this state until the voltage on the OVPSET pin falls below 400 mV. The turn-on of Q2 is not delayed by monitoring the SW voltage, but the triggering of OVP is intentionally slow to avoid false triggering.

Low-Side Driver Enable

The low-side driver enable (\overline{DRVLS}) allows external control of the synchronous rectifier. This is particularly useful for maintaining efficiency under light load conditions. At light loads, the PWM duty cycle becomes small, meaning the high-side switch is ON for a very short time and the synchronous rectifier is ON for the remainder of the period. Under these conditions, the inductor current ramps up during the short high-side switch ON time, and then ramps down during the synchronous rectifier's ON time. If the inductor current reaches zero and there is still time left in the period, the inductor current will begin to go negative. Negative current indicates that current is being drawn out of the output capacitor through the inductor and low-side FET to ground, incurring extra losses in the process. If the \overline{DRVLS} is used to shut down the low-side driver when the inductor current reaches zero, the light load efficiency can be dramatically improved. If inductor current information is not available, but a microprocessor is performing a power management function, it can shut down the synchronous rectifier when in a sleep or stand-by mode.

When the \overline{DRVLS} input is low, the low-side driver output goes low. When the \overline{DRVLS} input is high the low-side driver is enabled and controlled by the PWM input. The propagation delay from the \overline{DRVLS} input to the DRVL output is about 30 ns.

Synchronous Rectifier Monitor

The synchronous rectifier monitor provides a TTL output signal for use by the PWM controller. The SRMON output follows the DRV_L signal when the low-side driver is enabled and goes high when the low-side driver is shut down.

Shutdown

The shutdown input is used for power management. If the circuits running off of the buck converter are not needed, the ADP3410 can be shut down to conserve power.

When the \overline{SD} pin is high, the ADP3410 is enabled for normal operation. Pulling the \overline{SD} pin low forces the VCCGD, DRV_H and DRV_L outputs low turning the buck converter OFF and reducing the VCC supply current to less than 10 μ A.

Undervoltage Lockout

The undervoltage lockout (UVLO) circuit holds both FET driver outputs low during VCC supply ramp up. The UVLO logic becomes active and in control of the driver outputs at a supply voltage of 1.5 V. The UVLO circuit will wait until the VCC supply has reached a voltage high enough to bias logic level FETs fully ON, around 4.4 V, before releasing control of the drivers to the PWM input.

VCC Good

The power ready signal, VCCGD, indicates the status of the VCC supply. When the device is in UVLO, the VCCGD output is pulled low by an NMOS transistor. Upon exiting UVLO mode, the VCCGD pin is pulled up to VCC with a 5 Ω PMOS transistor capable of sourcing current to external load circuits. As can be seen from the block diagram, the UVLO comparator output and the \overline{SD} signal are ANDed together to become the VCCGD output, so when the device is put into shutdown the VCCGD output will be low regardless of the VCC voltage.

Thermal Shutdown

The thermal shutdown circuit protects the ADP3410 against damage due to excessive power dissipation. Under extreme conditions, high ambient temperature and high-power dissipation, the die temperature can rise up to the over-temperature trip point of 165°C. If the die temperature exceeds 165°C, the thermal shutdown circuit will turn the output drivers OFF. The drivers will remain disabled until the junction temperature has decreased by 10°C, at which point the drivers are enabled again.

APPLICATION INFORMATION

Supply Capacitor Selection

For the supply input (VCC) of the ADP3410, a local bypass capacitor is recommended to reduce the noise and to supply some of the peak currents drawn. Use a 5 μ F to 10 μ F, low ESR capacitor. Multilayer ceramic chip (MLCC) capacitors provide the best combination of low ESR and small size and can be obtained from the following vendors:

Murata	GRM235Y5V106Z16	www.murata.com
Taiyo-Yuden	EMK325F106ZF	www.t-yuden.com
Tokin	C23Y5V1C106ZP	www.tokin.com

A lower cost alternative may be to use a 5 μ F to 10 μ F tantalum capacitor with a small (1 μ F) ceramic in parallel. Keep the ceramic capacitor as close as possible to the ADP3410.

Bootstrap Circuit

The bootstrap circuit requires a charge storage capacitor, C_{BST} , and a Schottky diode, D1, as shown in Figure 2. Selecting these components can be done after the high-side FET has been chosen.

The bootstrap capacitor must have a voltage rating that is able to handle the maximum battery voltage plus 5 V. A minimum 50 V rating is recommended. The capacitance is determined using the following equation:

$$C_{BST} = \frac{Q_{GATE}}{\Delta V_{BST}} \quad (1)$$

where Q_{GATE} is the total gate charge of the high-side FET, and ΔV_{BST} is the voltage droop allowed on the high-side FET drive. For example, the IRF7811 has a total gate charge of about 20 nC. For an allowed droop of 200 mV, the required bootstrap capacitance is 100 nF. Look for a good quality ceramic capacitor.

A Schottky diode is recommended for the bootstrap diode due to its low forward drop, which maximizes the drive available for the high-side FET. The bootstrap diode must have a minimum 40 V rating to withstand the maximum battery voltage plus 5 V. The average forward current can be estimated by:

$$I_{F(AVG)} \approx Q_{GATE} \times f_{MAX} \quad (2)$$

where f_{MAX} is the maximum switching frequency of the controller. The peak surge current rating should be checked in circuit since this is dependent on the source impedance of the 5 V supply, and the ESR of C_{BST} .

Setting the OVP Threshold

The ADP3410 can shut down the high-side FET drive when the OVPSET input exceeds the threshold voltage. The voltage at which V_{OUT} trips the overvoltage protection is set by selecting the values for Ra and Rb shown in Figure 2. The threshold for the OVP is calculated using:

$$V_{OVP} = 1.2 V \times \left(1 + \frac{Ra}{Rb} \right) \quad (3)$$

where V_{OVP} is the desired OVP threshold voltage at V_{OUT} .

In order to minimize the bias current error, Rb should be less than or equal to 24 k Ω . By selecting a value for $Rb \leq 24$ k Ω and solving for Ra gives the following formula:

$$Ra = \left(\frac{V_{OVP}}{1.2 V} - 1 \right) \times Rb \quad (4)$$

Note that the minimum the OVP threshold can be is 1.2 V when Ra is zero.

Delay Capacitor Selection

The delay capacitor, C_{DLY} , is used to add an additional delay when the low-side FET drive turns off and when the high-side drive starts to turn on. The delay capacitor adds 1 ns/pF of additional time to the 20 ns of fixed delay.

If a delay capacitor is required, a good quality ceramic capacitor with an NPO or COG dielectric or a good quality mica capacitor should be used. Both types of capacitors are available in the 1 pF to 100 pF range and have excellent temperature and leakage characteristics.

ADP3410

Printed Circuit Board Layout Considerations

Use the following general guidelines when designing printed circuit boards:

1. Trace out the high-current paths and use short, wide traces to make these connections.
2. Split the ground connections. Use separate planes for the signal and power grounds, and tie them together at a single point near the ADP3410.
3. The VCC bypass capacitor should be located as close as possible to VCC and PGND pins.

Typical Application Circuit

The circuit in Figure 7 shows how the ADP3410 can be combined with the ADP3421 to form a total power conversion solution for a microprocessor. The combination provides the supply voltages for the core processor, the I/O interface, and the clock.

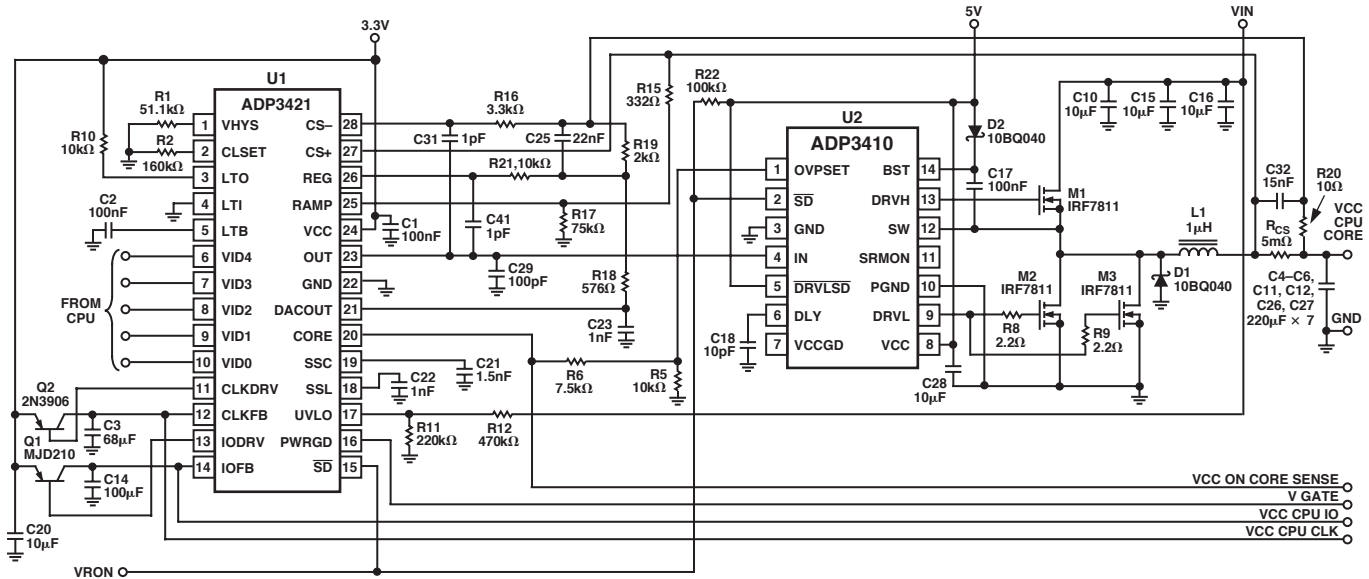
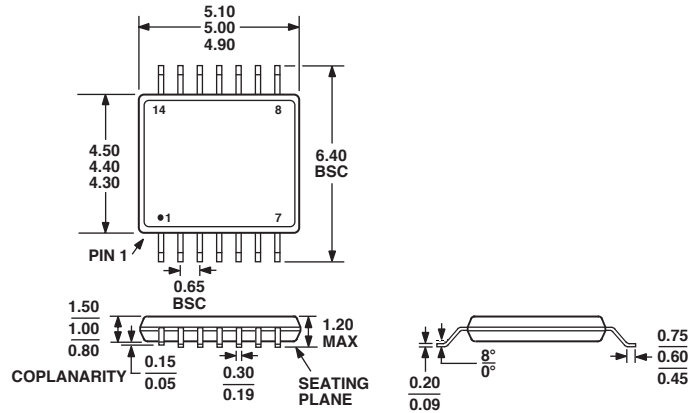


Figure 7. Typical Application Circuit

OUTLINE DIMENSIONS

Dimensions shown in millimeters (mm).

**14-Lead Thin Shrink Small Outline Package (TSSOP)
(RU-14)**



COMPLIANT TO JEDEC STANDARDS MO-153AB-1

Revision History

Location	Page
Data Sheet changed from REV. 0 to REV. A.	
Change Figures to TPCs	7
Renumbered Figure	10

ADP3410

C00151-0-5/02(A)

PRINTED IN U.S.A.