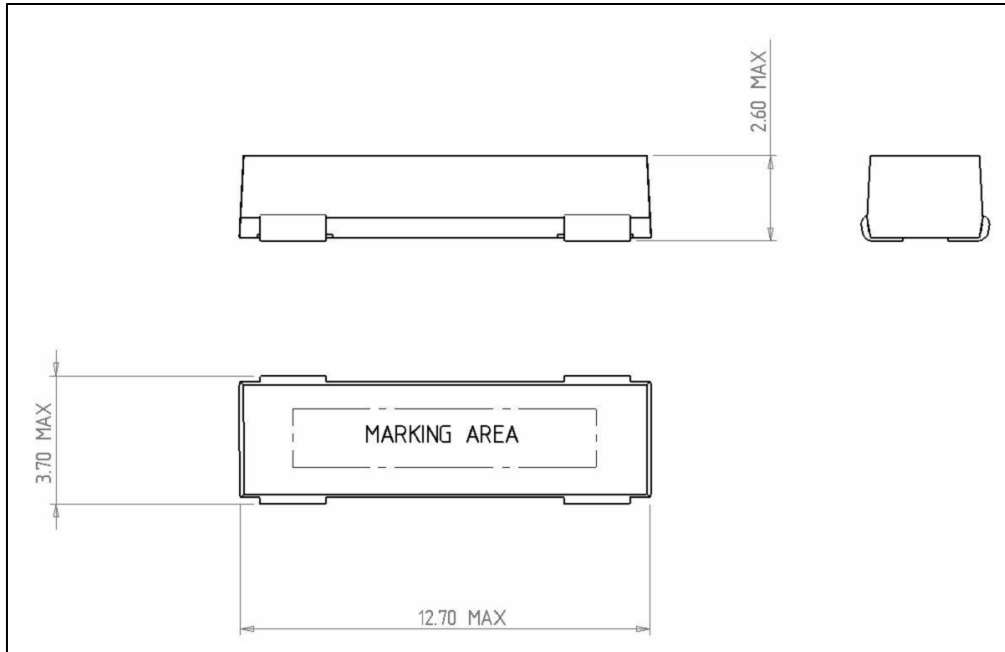
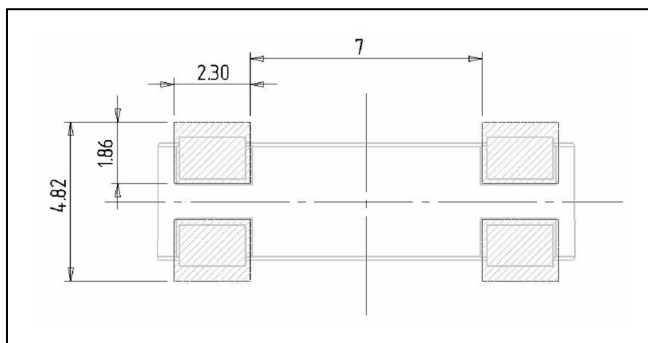


C/Severo Ochoa 33 - Parque Tecnológico de Andalucía. 29590 Campanillas .Málaga (Spain) **Phone** +34 951 231 320 Fax +34 951 231 321
E-mail: info@grupopremo.com Web <http://www.grupopremo.com>

1. Dimensions and Recommended Pad Layout



Recommended pad layout



All dimensions in mm

C/Severo Ochoa 33 - Parque Tecnológico de Andalucía. 29590 Campanillas .Málaga (Spain) **Phone** +34 951 231 320 **Fax** +34 951 231 321
E-mail: info@grupopremo.com Web <http://www.grupopremo.com>

2. Applications

This inductor is designed to accomplish the highest electrical performance in these dimensions together with good thermal properties. The main applications for this piece are the following:

- Industrial application with high requirements
- RTPMS
- Keyless Entry Systems

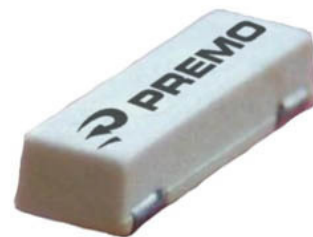
3. Materials

Core: Ferrite core metallized.

SMD Terminals: Phosphor Bronze 200µm Sn100.

Wire: Enamelled copper wire with modified Polyurethane.

Plastic moulding: LCP material.



4. General Specifications. Recommended Reflow Profile

Typical Operating Frequency: 125KHz

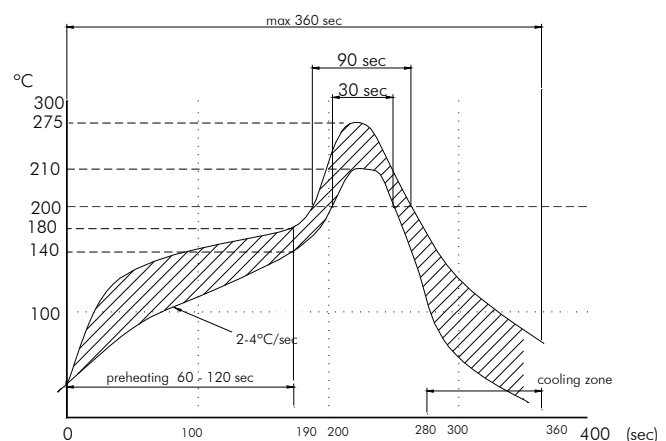
Storage Temperature: -40° C → +125° C

Operating Temperature: -40° C → +120° C

Operating Voltage: < 50V

Operating Current: Between 2.5mA for 20µm Φ_{wire} up to 20mA for 0.1mm Φ_{wire}

Lead Free Reflow Profile.



C/Severo Ochoa 33 - Parque Tecnológico de Andalucía. 29590 Campanillas .Málaga (Spain) **Phone** +34 951 231 320 Fax +34 951 231 321
E-mail: info@grupopremo.com Web <http://www.grupopremo.com>

5. Electrical Characteristics

TOM1203LP (340 μ H - 16.2mH)

Code	L (mH)	Tolerance	Cres (pF)	Q Min.	SRF (KHz) Min.	Sensitivity (mVpp/App/m) Min.
TP0702CAP-0238J	2.38	$\pm 5\%$	680	40	800	45
TP0702CAP-0491J	4.91	$\pm 5\%$	330	25	400	65
TP0702CAP-0720J	7.20	$\pm 5\%$	225	25	330	80

This chart is a reference guide for the most common required values at working frequency of 125 kHz. Any other inductance value at LF or tighter tolerances can be provided. Please contact our sales department for any inquiry.

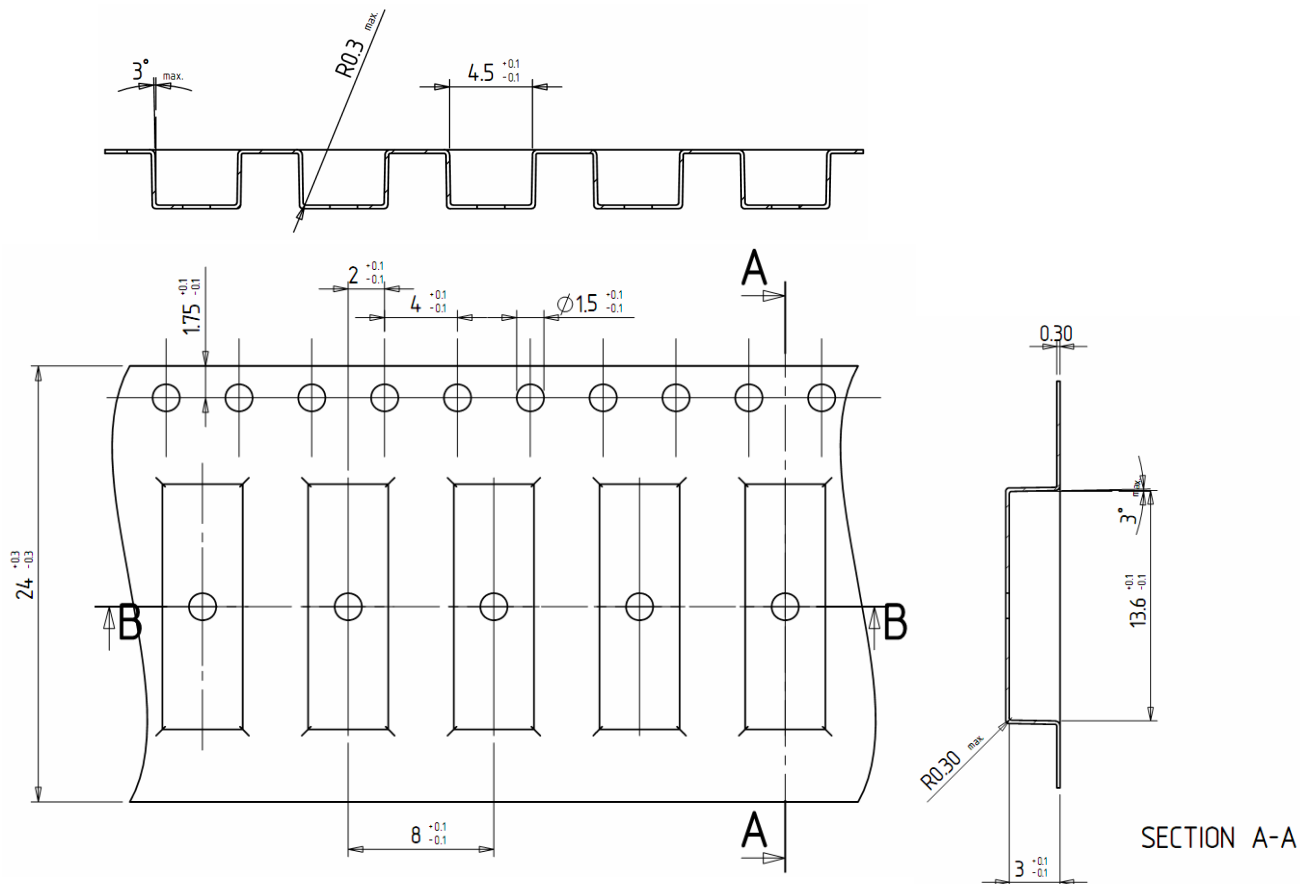
Inductance and Quality Factor measured at 125 kHz, 1Vac.

SRF: Self Resonant Frequency of the coil.

Cres: Capacitor for tuning circuits (125 kHz).

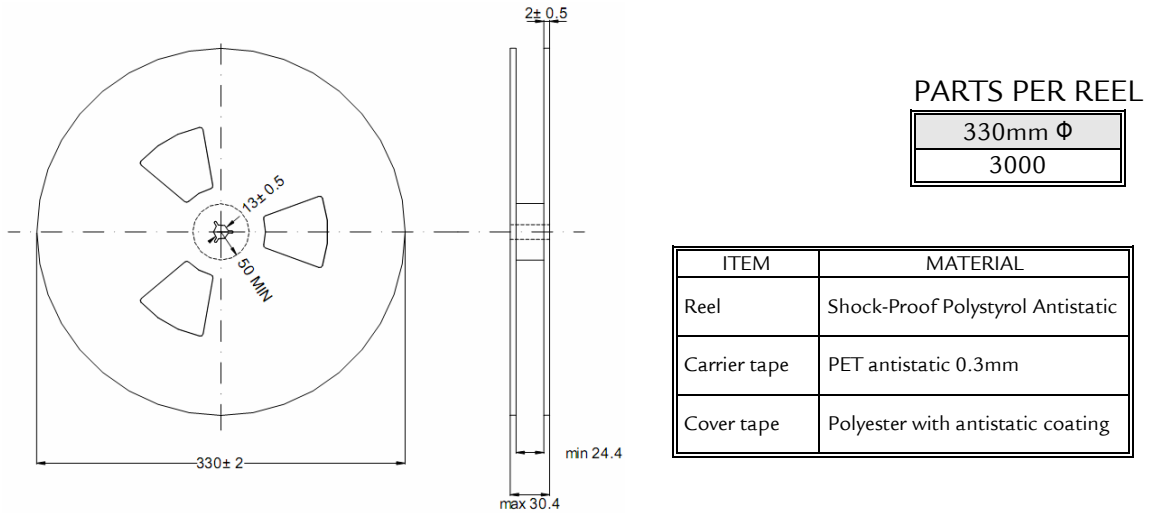
6. Packaging Information

TAPING SPECIFICATION (According to EIA481)



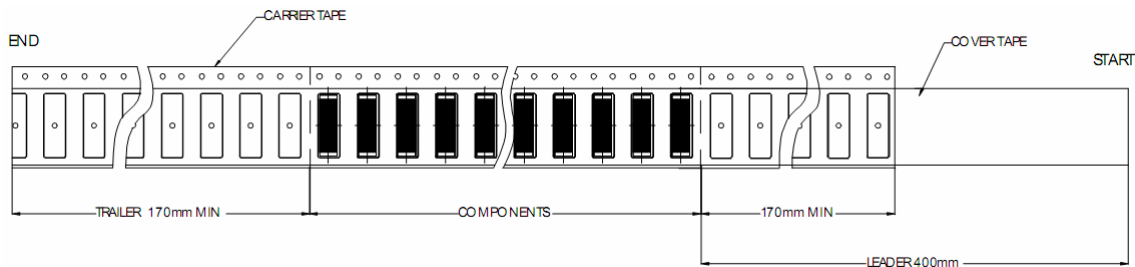
C/Severo Ochoa 33 - Parque Tecnológico de Andalucía. 29590 Campanillas .Málaga (Spain) **Phone** +34 951 231 320 Fax +34 951 231 321
E-mail: info@grupopremo.com Web <http://www.grupopremo.com>

REEL



All dimensions in mm

TAPING



7. Edition Control

Edition	Date	Change description
1 st	25/06/10	Initial Data Sheet