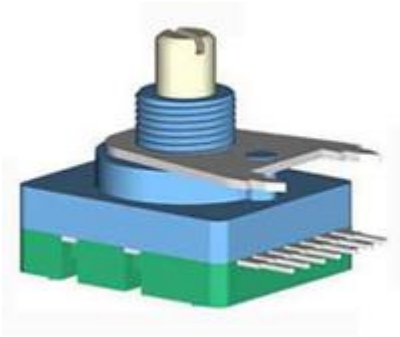


Model(型號): ROSITION ROUTE SWITCHES-----RR22P11501

[▶ Download PDF file](#)



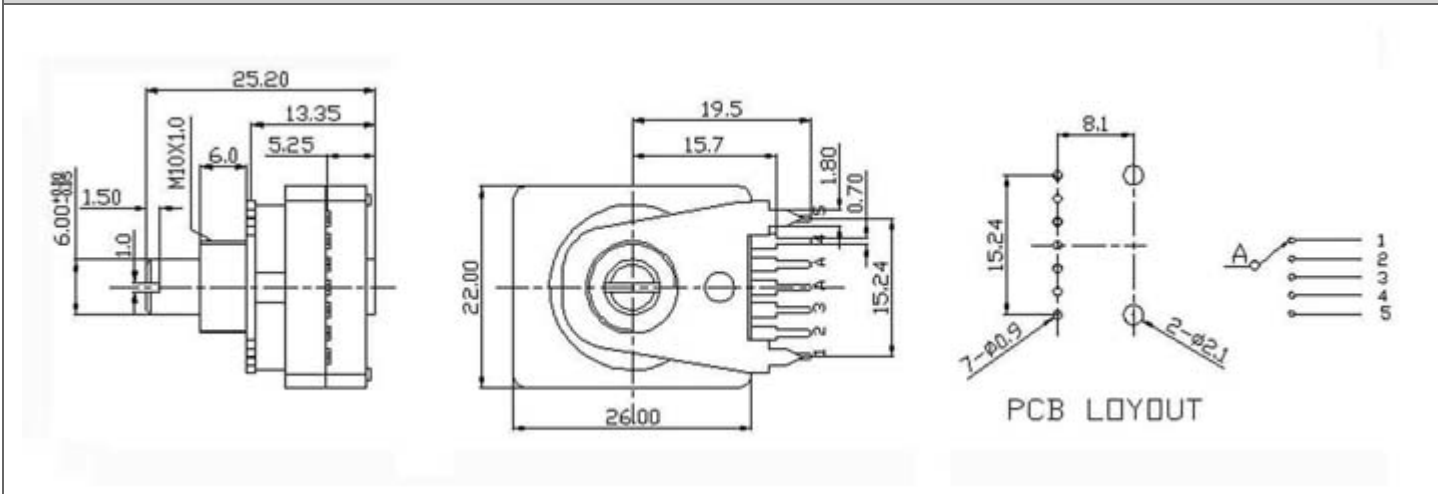
Features:

- Hard tumbler switch in common use
- Have dustproof functions

Applications:

- FA machine, measuring instrument, various kinds of electronic equipment , such as air conditioner , the electronic musical instrument , stereo switch ,etc.

Dimensions(規格圖):



Operating Force:

| ITEMS[項目] | RR25P/RR25A/RR30P | RR22P | RR10A |
|-------------------------------------|----------------------|----------|----------------------|
| 一:Electrical Characteristics:[電器性能] | | | |
| Initial contact resistance[額定值] | 30MΩ | 150MΩ | 50MΩ |
| Operation force[操作力] | 1.5±0.5kg.cm | 5Ncm±20% | 153±71gf.cm |
| Insulation resistance[絕緣阻抗] | 20MΩ Min.500V DC | | 100Ω Min.100V DC |
| Withstand resistance[耐電壓] | 500V AC for 1 minute | | 100V AC for 1 minute |
| Rotational life[回轉壽命] | 10,000 cycles | | |