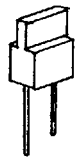
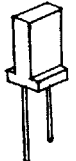
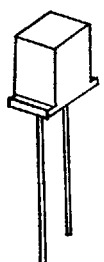
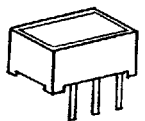
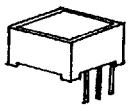


LED Lamps

T-41-23

www.DataSheet4U.com

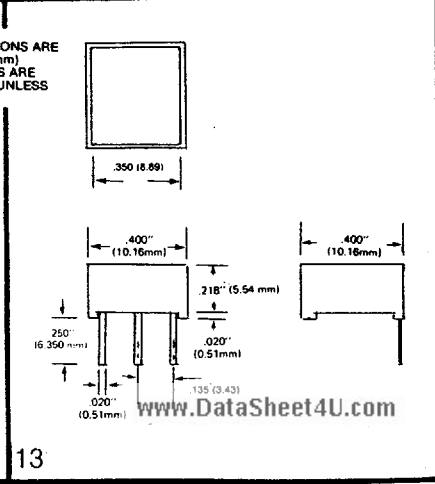
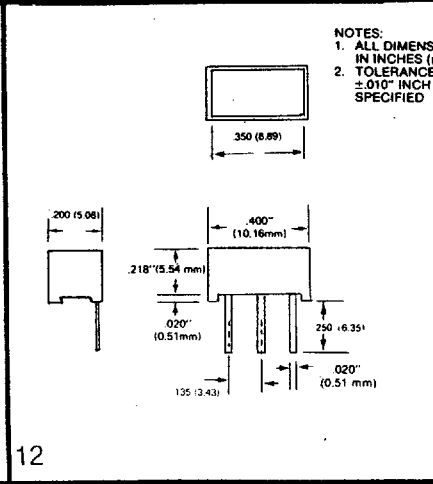
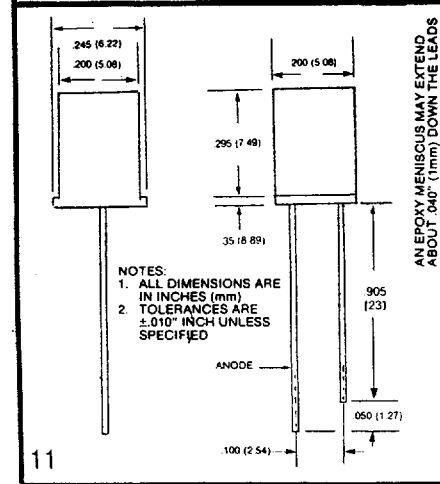
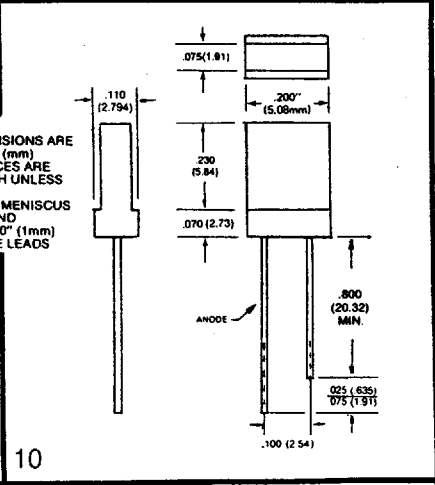
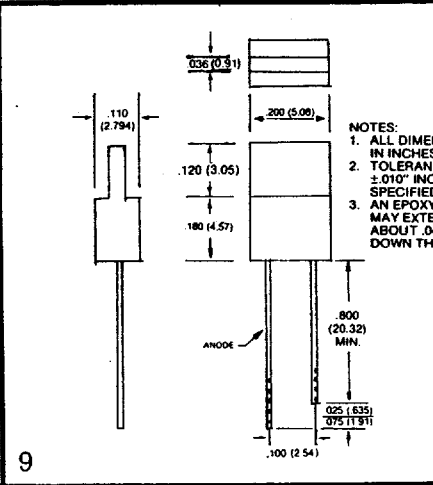
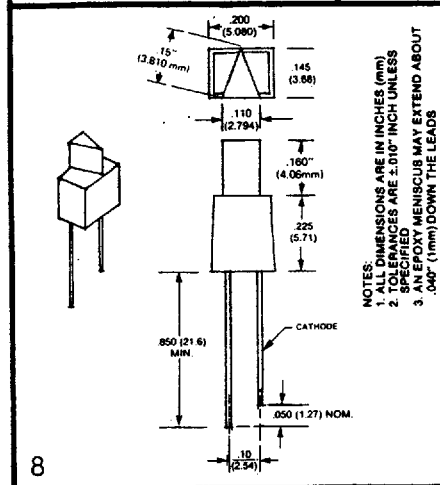
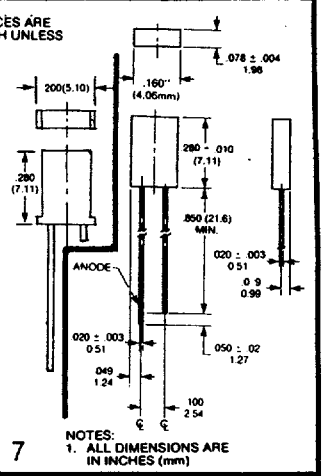
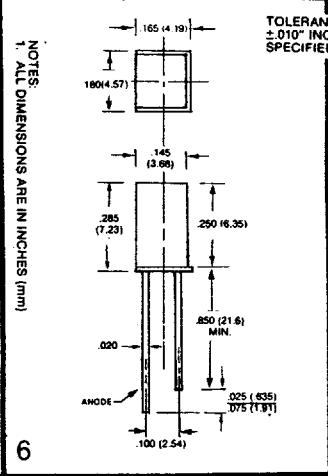
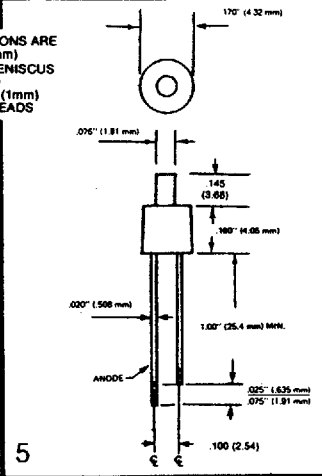
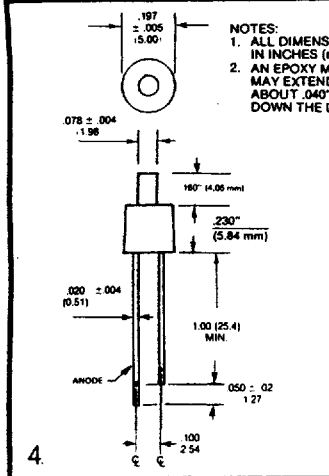
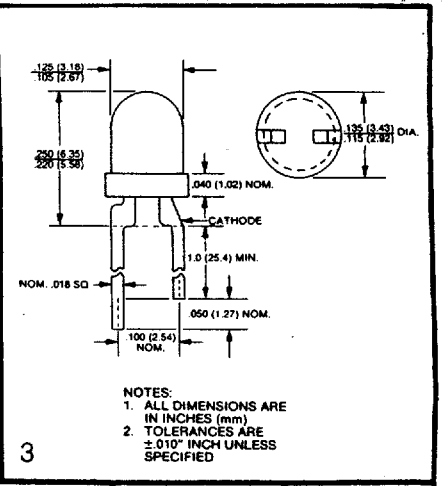
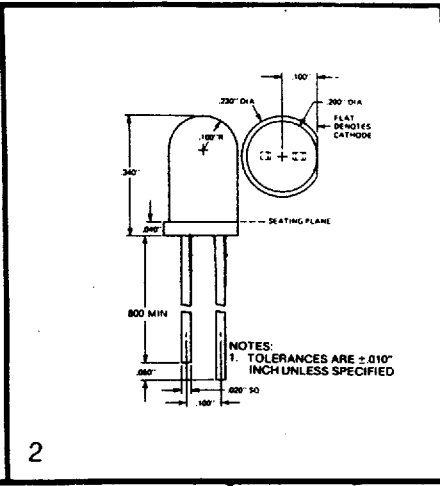
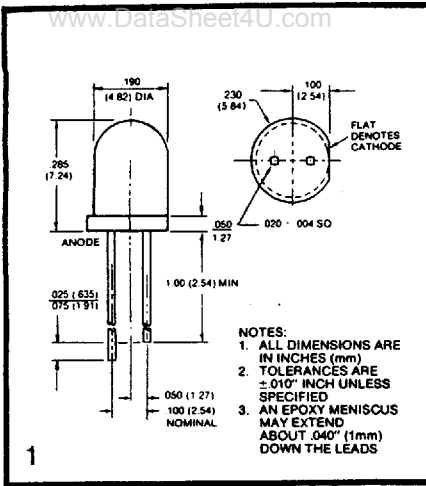
PKG OUTLINE	DEVICE NO.	SOURCE COLOR	LENS DESIGN	TYPICAL INTENSITY (MCD)	FORWARD VOLTAGE (TYP)	VIEW ANGLE (TYP)	PKG. KEY SEE PG.NO.
	ALV5010 R	Std.Red	Red Diffused	0.8@20mA	1.8	100°	5-9
	ALV5010 G	High Eff.Green	Green Diff.	1.6@20mA	2.15	100°	
	ALV5010 Y	Yellow	Yellow Diff.	1.2@20mA	2.2	100°	
	ALV5010 RC	Std.Red	Red Clear	1.0@20mA	1.8	40°	
	ALV5010 GC	High Eff.Green	Green Clear	1.3@20mA	2.15	40°	
	ALV5010 YC	Yellow	Yellow Clear	3.6@20mA	2.2	80°	
	ALV5010 O	High Eff.Red	Red Diffused	3.0@20mA	2.1	100°	
	ALV5010 OC	High Eff.Red	Red Clear	8 @20mA	2.1	100°	
	ALV5020 R	Std.Red	Red Diffused	0.8@20mA	1.8	100°	5-10
	ALV5020 G	High Eff.Green	Green Diff.	1.6@20mA	2.15	100°	
	ALV5020 Y	Yellow	Yellow Diff.	1.2@20mA	2.2	100°	
	ALV5020 RC	Std.Red	Red Clear	1.0@20mA	1.8	40°	
	ALV5020 GC	High Eff.Green	Green Clear	3.6@20mA	2.15	40°	
	ALV5020 YC	Yellow	Yellow Clear	3.6@20mA	2.2	30°	
	ALV5020 O	High Eff.Red	Red Diffused	3.0@20mA	2.1	100°	
	ALV5020 OC	High Eff.Red	Red Clear	8 @20mA	2.1	100°	
	ALV5050 R	Std.Red	Red Diffused	0.6@20mA	1.8	100°	5-11
	ALV5050 G	High Eff.Green	Green Diff.	1.3@20mA	2.15	100°	
	ALV5050 Y	Yellow	Yellow Diff.	1.0@20mA	2.2	100°	
	ALV5050 RC	Std.Red	Red Clear	0.8@20mA	1.8	40°	
	ALV5050 GC	High Eff.Green	Green Clear	1.0@20mA	2.15	40°	
	ALV5050 YC	Yellow	Yellow Clear	3.0@20mA	2.2	30°	
	ALV5050 O	High Eff.Red	Red Diffused	2.0@20mA	2.1	100°	
	ALV5050 OC	High Eff.Red	Red Clear	6 @20mA	2.1	100°	
	ALS4020 R	High Eff Red	Red Diffused	10 @40mA	2.1	Wide Angle	5-12
	ALS4020 G	High Eff.Green	Green Diff.	10 @40mA	2.15		
	ALS4020 Y	Yellow	Yellow Diff.	6.0@40mA	2.2		
	ALS4040 R	High Eff.Red	Red Diff.	10 @80mA	2.1	Wide Angle	5-13
	ALS4040 G	High Eff.Green	Green Diff.	10 @80mA	2.15		
	ALS4040 Y	Yellow	Yellow Diff.	6.0@80mA	2.2		

DUAL COLOR LED LAMPS ARE AVAILABLE FOR ALL OF THE PACKAGE STYLES.

LED Lamp Package Styles

T91-20

www.DataSheet4U.com



www.DataSheet4U.com