

PLEASE CHECK WWW.MOLEX.COM FOR LATEST PART INFORMATION

Part Number: [0955512677](#)
Status: **Active**
Description: Modular Jack, High Profile Top Entry Shunted Jack with Ribs, Tube

Documents:

[Drawing \(PDF\)](#) [RoHS Certificate of Compliance \(PDF\)](#)
[Product Specification PS-95522-002 \(PDF\)](#)

General

| | |
|---------------------------|---------------------|
| Product Family | Modular Jacks/Plugs |
| Series | 95551 |
| Component Type | PCB Jack |
| Magnetic | No |
| Performance Category | 3 |
| Power over Ethernet (PoE) | N/A |
| Product Name | N/A |

Physical

| | |
|--------------------------------|--------------------------------|
| Boot Color | N/A |
| Color - Resin | Black |
| Durability (mating cycles max) | 500 |
| Inverted / Top Latch | No |
| Keying to Mating Part | None |
| Lightpipes/LEDs | None |
| Material - Metal | Phosphor Bronze |
| Material - Plating Mating | Gold |
| Material - Plating Termination | Tin |
| Material - Resin | High Temperature Thermoplastic |
| Orientation | Vertical (Top Entry) |
| PCB Locator | Yes |
| PCB Retention | Yes |
| PCB Thickness Recommended (in) | 0.062 In |
| PCB Thickness Recommended (mm) | 1.57 mm |
| Packaging Type | Tube |
| Panel Mount | Yes |
| Pitch - Mating Interface (in) | 0.040 In |
| Pitch - Mating Interface (mm) | 1.02 mm |
| Pitch - Term. Interface (in) | 0.050 In |
| Pitch - Term. Interface (mm) | 1.27 mm |
| Plating min: Mating (µin) | 50 |
| Plating min: Mating (µm) | 1.25 |
| Plating min: Termination (µin) | 100 |
| Plating min: Termination (µm) | 2.5 |
| Ports | 1 |
| Positions / Loaded Contacts | 6/6 |
| Surface Mount Compatible (SMC) | No |
| Temperature Range - Operating | -40°C to +80°C |
| Termination Interface: Style | Through Hole |
| Waterproof / Dustproof | No |
| Wire/Cable Type | N/A |

Electrical

| | |
|-------------------------------|------|
| Current - Maximum per Contact | 1.5A |
| Grounding to PCB | No |
| Grounding to Panel | None |
| Shielded | No |

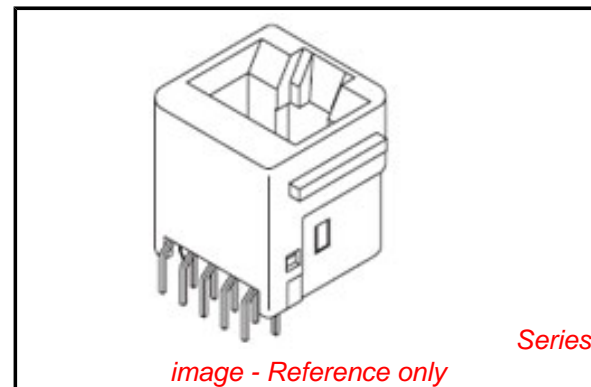


image - Reference only

EU RoHS

**ELV and RoHS
Compliant
REACH SVHC
Not Reviewed
Halogen-Free
Status**

China RoHS



**Need more information on product
environmental compliance?**

Email productcompliance@molex.com
 For a multiple part number RoHS Certificate of
 Compliance, [click here](#)

Please visit the [Contact Us](#) section for any
 non-product compliance questions.

Search Parts in this Series
 95551Series

Voltage - Maximum

150V AC (RMS)

Material Info

Reference - Drawing Numbers

Packaging Specification

PK-95022, PK-95051-001

Product Specification

PS-95522-002

Sales Drawing

SD-95551-001

This document was generated on 06/07/2010

PLEASE CHECK WWW.MOLEX.COM FOR LATEST PART INFORMATION

NOTES:

1 - MATERIAL:

- HOUSING : LCP 30% GLASS FILLED, UL94 V-0.
COLOUR: BLACK
- TERMINAL: BRASS.
POST PLATE (0.00127)/.000050 MIN. GOLD IN CONTACT
AREA, (0.00500 TO 0.00200)/.000200 TO .000080
TIN ONLY IN TAIL AREA, BOTH OVER
(0.00127)/.000050 MIN. NICKEL OVERALL.

2 - RECOMMENDED PRINTED CIRCUIT BOARD THICKNESS: (1.57)/.062

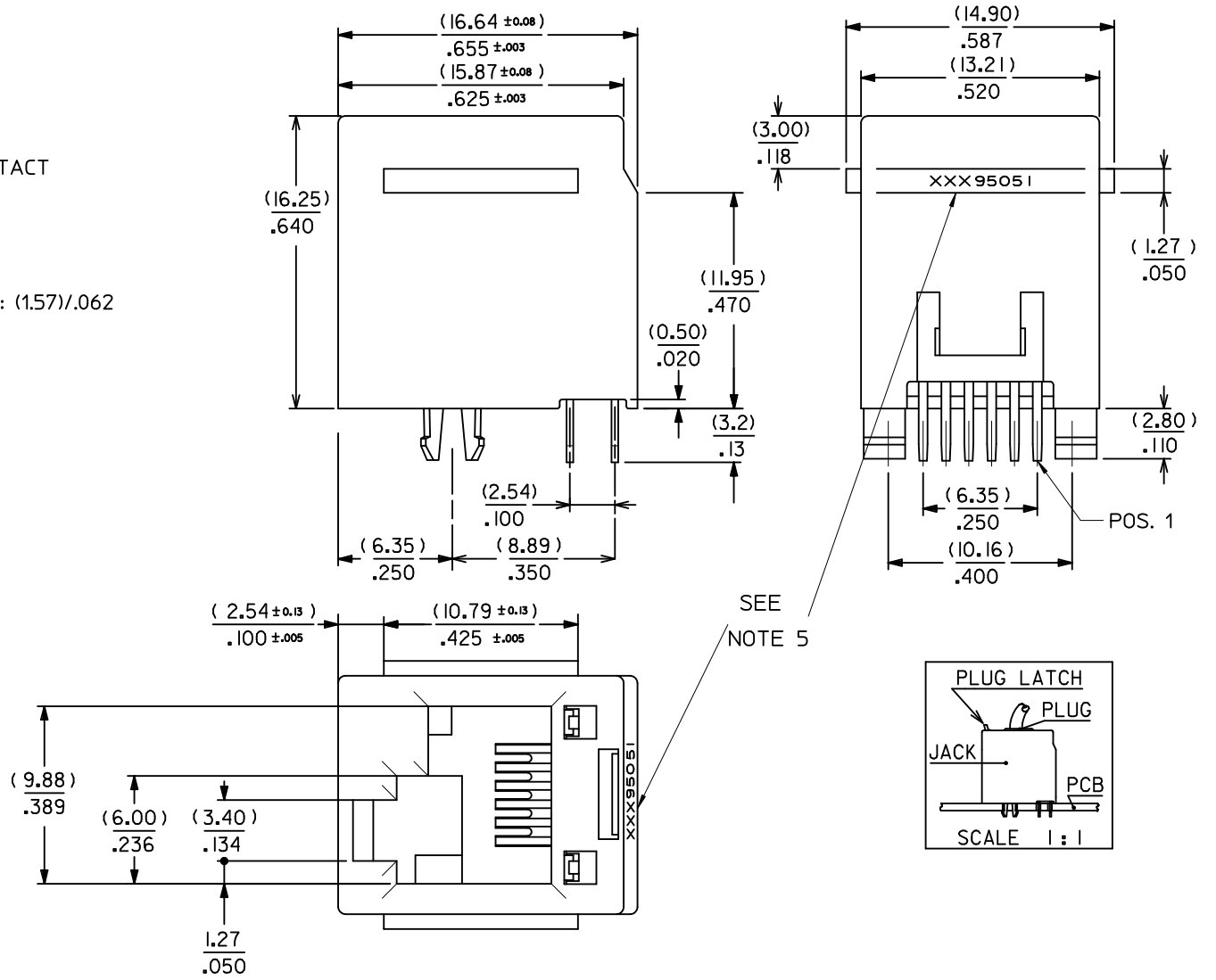
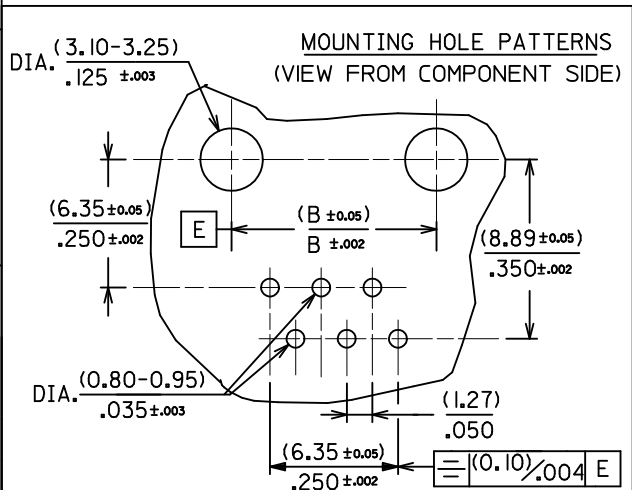
3 - FOR USE WITH UNCENTERED LATCH PLUG.

4 - PRODUCT SPECIFICATION: PS-95522-002

5 - LOGO MAY BE MXF, MG OR MXI

6 - PACKAGING SPECIFICATION:
TRAY - PK-95051-001, SHT 1.
TUBE - PK-95022, SHT 2.

| PART NUMBER | PACKAGING TYPE |
|-------------|----------------|
| 95551-2667 | TRAY |
| 95551-2677 | TUBE |



| | | | | | | | |
|--|--|---|---|--------------------------------------|--------------|------------------------|--|
| NEW PART ADDED EC NO: E2010-0359 DRWINGBY:RMS 2010/04/17 CHKD:CB 89/06/12 APPR:EFOLAN 2010/04/30 | QUALITY SYMBOLS | GENERAL TOLERANCES (UNLESS SPECIFIED) | DIMENSION STYLE | SCALE | DESIGN UNITS | THIRD ANGLE PROJECTION | |
| | ▽=0 ∇=0 | mm INCH | MM/IN | 4:1 | METRIC | | |
| | | 4 PLACES ± --- ± .010 3 PLACES ± --- ± .014 2 PLACES ± 0.25 ± --- 1 PLACE ± 0.35 ± --- | DRAWN BY DATE PD 89/06/12 | TITLE HIGH PROFILE TOP ENTRY JACK | | | |
| | | ANGULAR ± 1/2° | CHECKED BY DATE CB 89/06/12 | MOLEX INCORPORATED | | | |
| | DRAFT WHERE APPLICABLE MUST REMAIN WITHIN DIMENSIONS | MATERIAL NO. | APPROVED BY DATE EFOLAN 2010/04/30 | DOCUMENT NO. SD-95551-001 | | SHEET NO. 1 OF 1 | |
| | | SIZE A3 | THIS DRAWING CONTAINS INFORMATION THAT IS PROPRIETARY TO MOLEX INCORPORATED AND SHOULD NOT BE USED WITHOUT WRITTEN PERMISSION | | | | |