

PLEASE CHECK WWW.MOLEX.COM FOR LATEST PART INFORMATION

Part Number: [0522711679](#)
Status: **Active**
Overview:
Description: 1.00mm (.039") Pitch FFC/FPC Connector, Right Angle, SMT, ZIF, Bottom Contact Style, 16 Circuits, Lead-free, High Barrier Packaging

Agency Certification

CSA	LR19980
UL	E29179

General

Product Family	FFC/FPC Connectors
Series	52271
Overview	ffc_fpc_smt
Product Name	N/A

Physical

Circuits (Loaded)	16
Color - Resin	Natural
Contact Position	Bottom
Durability (mating cycles max)	30
Entry Angle	90° Angle
Flammability	94V-0
Mated Height (in)	0.118 In
Mated Height (mm)	3.00 mm
Material - Metal	Phosphor Bronze
Material - Plating Mating	Tin-Bismuth
Material - Plating Termination	Tin-Bismuth
Material - Resin	Nylon
Number of Rows	1
Orientation	Right Angle
PCB Locator	No
PCB Retention	Yes
Packaging Type	Embossed Tape on Reel
Pitch - Mating Interface (in)	0.039 In
Pitch - Mating Interface (mm)	1.00 mm
Polarized to PCB	Yes
Stackable	No
Temperature Range - Operating	-40°C to +85°C
Termination Interface: Style	Surface Mount
Wire/Cable Type	FFC/FPC

Electrical

Current - Maximum per Contact	0.5A
Voltage - Maximum	50V AC (RMS)/DC

Material Info

Reference - Drawing Numbers

Application Specification	AS-52271-001
Packaging Specification	SPK-52271-001, SPK-52271-002
Product Specification	PS-52271-053, RPS-52271-066, RPS-52271-067, RPS-52271-069, RPS-52271-070, RPS-52271-072, RPS-52271-073, RPS-52271-075, RPS-52271-080, RPS-52271-085, RPS-52271-087, RPS-52271-091
Sales Drawing	SD-52271-036, SD-52271-037

EU RoHS
ELV and RoHS
Compliant
REACH SVHC
Contains SVHC: No
Halogen-Free
Status
Not Halogen-Free

China RoHS



Need more information on product environmental compliance?

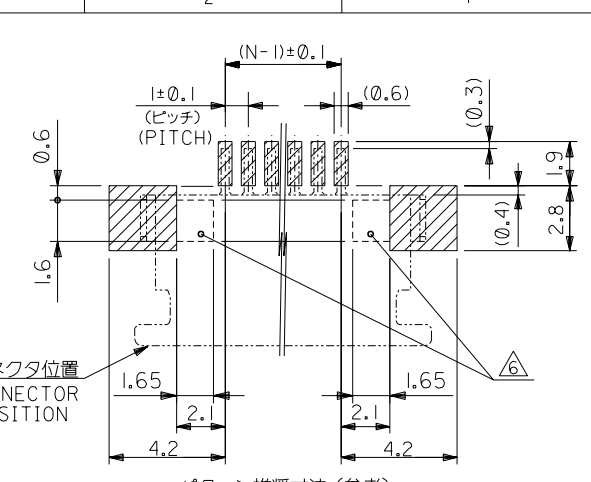
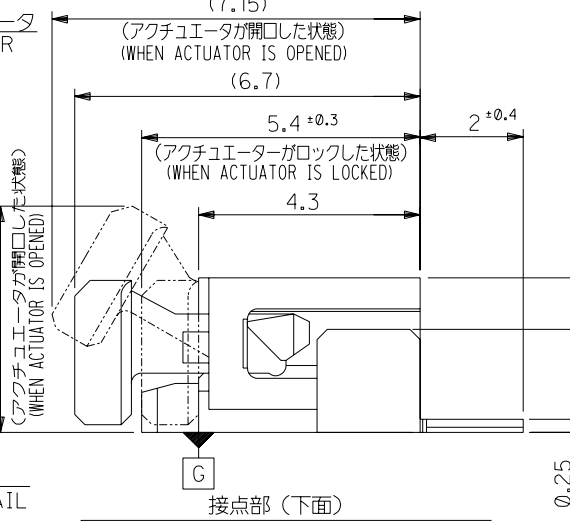
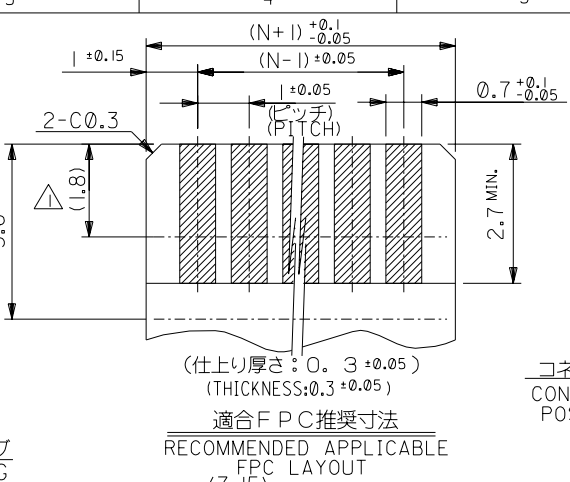
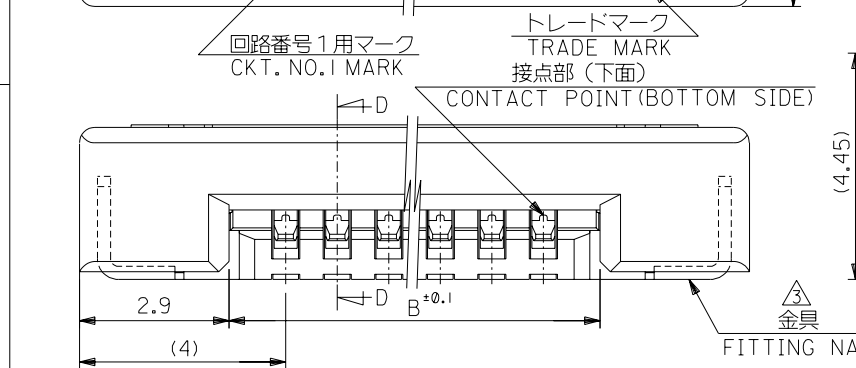
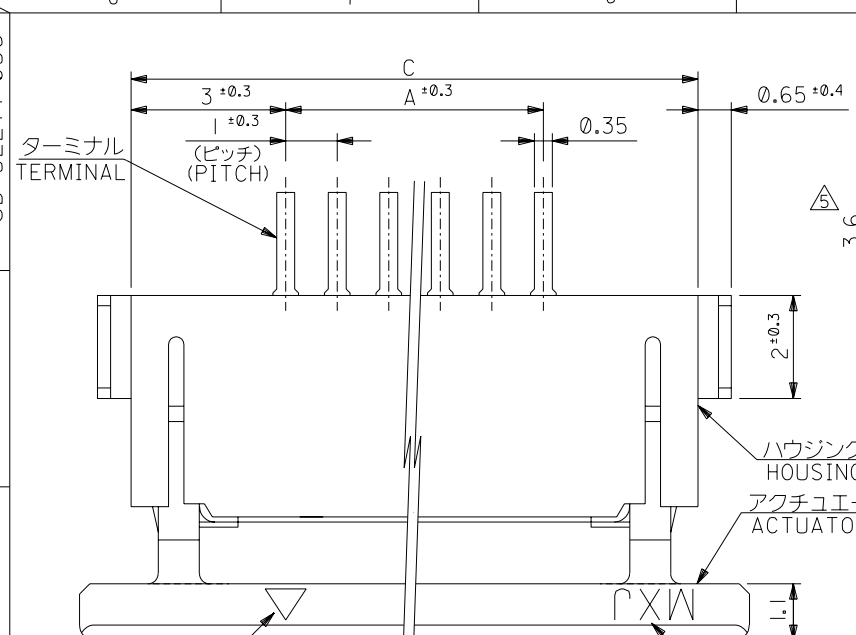
Email productcompliance@molex.com
 For a multiple part number RoHS Certificate of Compliance, [click here](#)

Please visit the [Contact Us](#) section for any non-product compliance questions.

Search Parts in this Series
[52271Series](#)

This document was generated on 06/04/2010

PLEASE CHECK WWW.MOLEX.COM FOR LATEST PART INFORMATION



パターン推奨寸法 (参考) RECOMMENDED PATTERN DIM. (REF.)

35	31.2	29	52271-3019	30
34	30.2	28	-2919	29
33	29.2	27	-2819	28
32	28.2	26	-2719	27
31	27.2	25	-2619	26
30	26.2	24	-2519	25
29	25.2	23	-2419	24
28	24.2	22	-2319	23
27	23.2	21	-2219	22
26	22.2	20	-2119	21
25	21.2	19	-2019	20
24	20.2	18	-1919	19
23	19.2	17	-1819	18
22	18.2	16	-1719	17
21	17.2	15	-1619	16
20	16.2	14	-1519	15
19	15.2	13	-1419	14
18	14.2	12	-1319	13
17	13.2	11	-1219	12
16	12.2	10	-1119	11
15	11.2	9	-1019	10
14	10.2	8	-0919	9
13	9.2	7	-0819	8
12	8.2	6	-0719	7
11	7.2	5	-0619	6
10	6.2	4	-0519	5
9	5.2	3	52271-0419	4

52271-**-19	C	B	A	52271-0419	極数 CKT.
MODEL NO.				MATERIAL NO.	

角度 ANGLE	±3°				
30以上 OVER	+0.3	B	変更 REVISIED	(2004-3551)	H.K. K.S. 04/04/02
10以上 OVER 30未満 UNDER	+0.25	A	変更 REVISIED	(2004-3371)	H.K. K.S. 04/03/29
未満 UNDER	+0.2	①	新規作成 RELEASED	(2004-3059)	H.K. K.S. 04/03/12
一般公差 GENERAL TOLERANCES		記号 LTR	変更内容 REVISION RECORD		DR. 日付 DATE

材料 MATERIAL	注記参照 SEE NOTES
仕上げ FINISH	注記参照 SEE NOTES
適用電線範囲 WIRE RANGE	---
被覆外径 INS. RANGE	---
DRAWN BY '04/03/12 H.KAWABATA	CHK'D BY '04/03/12 K.TOJO
APP'D BY '04/03/12 M.SASAO	尺度 SCALE ---

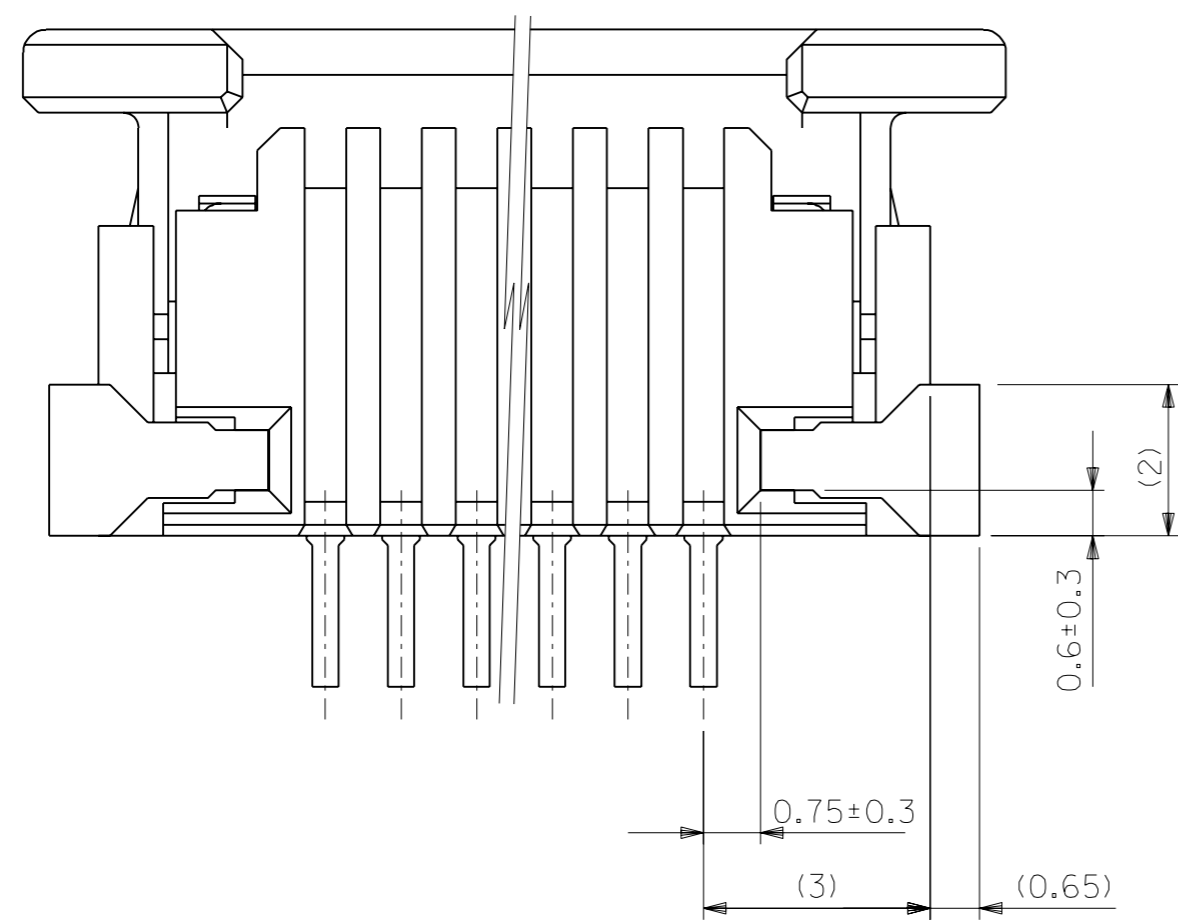
molex MOLEX-JAPAN CO.,LTD.
 日本モレックス株式会社

REVISE ONLY ON CAD SYSTEM

TITLE 名称
 1.0 FPC CONN. Z.I.F. SMT (BOTTOM CONTACT)

-LEAD FREE-

DWG. NO. (SHEET 1 OF 2) REV B
 SD-52271-036



下面図

注記 NOTES

- ① 接点部までの嵌合長さ。
LENGTH TO CONTACT POINT.
- 2. 使用材料 MATERIAL
ハウジング : 46ナイロン, UL94V-0
HOUSING : 46NYLON, UL94V-0
アクチュエータ : PPS, UL94V-0
ACTUATOR : PPS, UL94V-0
ターミナル : リン青銅 (t=0.25)
TERMINAL : PHOS-BRO.(t=0.25)
メッキ : 錫ビスマスメッキ 1.0マイクロメートル以上
PLATING : TIN-BISMUTH 1.0 MICROMETER MINIMUM
 : ニッケル下地 1.0マイクロメートル以上
 : NICKEL(UNDER PLATING)1.0 MICROMETER MINIMUM
金具 : 銅合金 (t=0.25)
FITTING NAIL : COPPER ALLOY (t=0.25)
メッキ : 錫メッキ 1.0マイクロメートル以上
PLATING : TIN 1.0 MICROMETER MINIMUM
 : ニッケル下地 1.0マイクロメートル以上
 : NICKEL(UNDER PLATING) 1.0 MICROMETER MINIMUM
- ③ パターンはくり止め用金具
FITTING NAIL FOR PREVENTION OF PEELING OF P.C.B.PATTERN.
- 4. エンボステープ梱包時は、アクチュエータがロックした状態とする。
WHEN CONNECTOR IS SHIPED, ACTUATOR SHOULD BE LOCKED.
- ⑤ FPC挿入深さ。
INSERTION DEPTH OF FPC
- ⑥ パターン書き込み禁止エリア。
NO FOOT PRINT AREA.
- 7. 本製品は52271-**-17の鉛フリー品である。
THIS PRODUCT IS LEAD FREE OF 52271-**-17.

FPCについて:

打抜き方向は導体側から補強板側を推奨致します。
補強フィルム材質はポリイミドを推奨致します。
接着剤は熱硬化接着剤を推奨致します。

ABOUT FPC:
RECOMMENDED PUNCHER DIRECTION :FROM CONDUCTOR SIDE TO STIFFENER BOARD SIDE.
RECOMMENDED MATERIAL :
STIFFENER FILM :POLYIMIDE
BONDING AGENT :THERMOSETTING BONDING AGENT

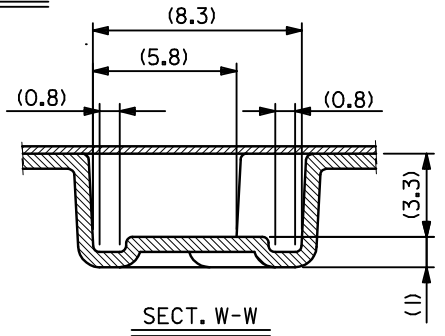
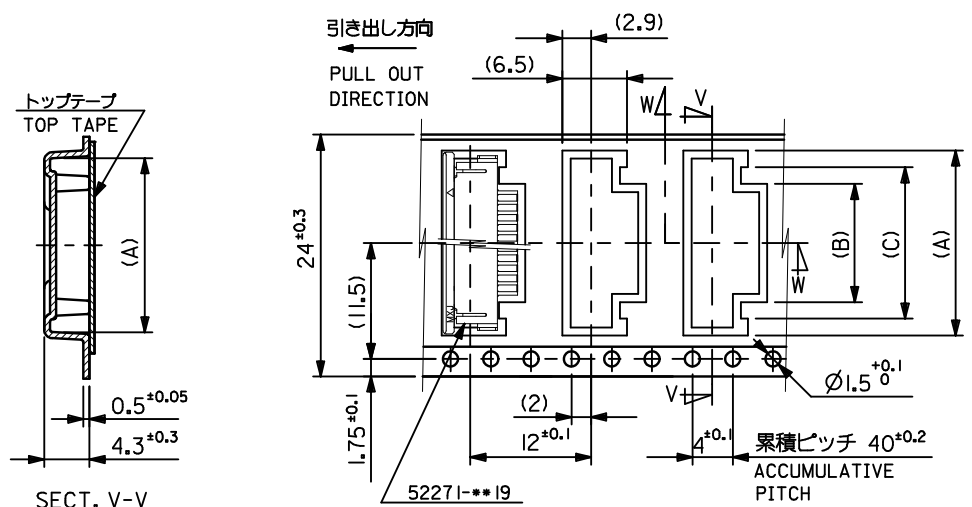
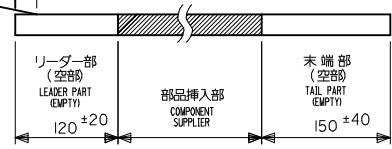
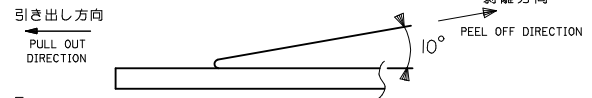
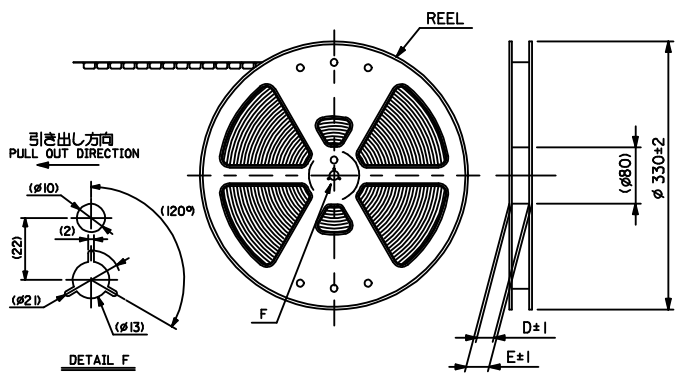
MODEL NO. 52271-**-19

材料 MATERIAL		注記参照 SEE NOTES		MOLEX-JAPAN CO.,LTD. 日本モレックス株式会社	
仕上げ FINISH		注記参照 SEE NOTES		REVISE ONLY ON CAD SYSTEM	
適用電線範囲 WIRE RANGE		—//—		TITLE 名称 I.O FPC CONN. Z.I.F. SMT (BOTTON CONTACT) -LEAD FREE-	
被覆外径 INS. RANGE		—//—		DRAWN BY '04/03/12 H.KAWABATA CHK'D BY '04/03/12 K.TOJO	
角度 ANGLE		±3°		DWG. NO. (SHEET 2 OF 2) REV B	
30 以上 OVER		±0.3		SD-52271-036	
10 以上 30 未満 OVER UNDER		±0.25			
10 未満 UNDER		±0.2			
一般公差 GENERAL TOLERANCES		記号 LTR 変更内容 REVISION RECORD		DR. 日付 DATE CHK. SCALE	

NOTES

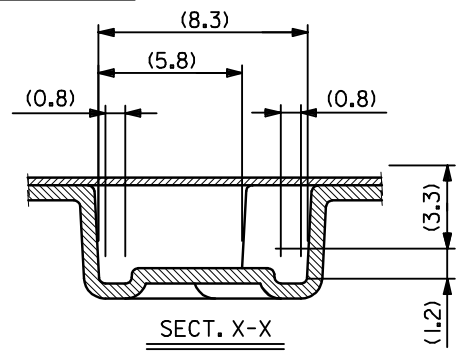
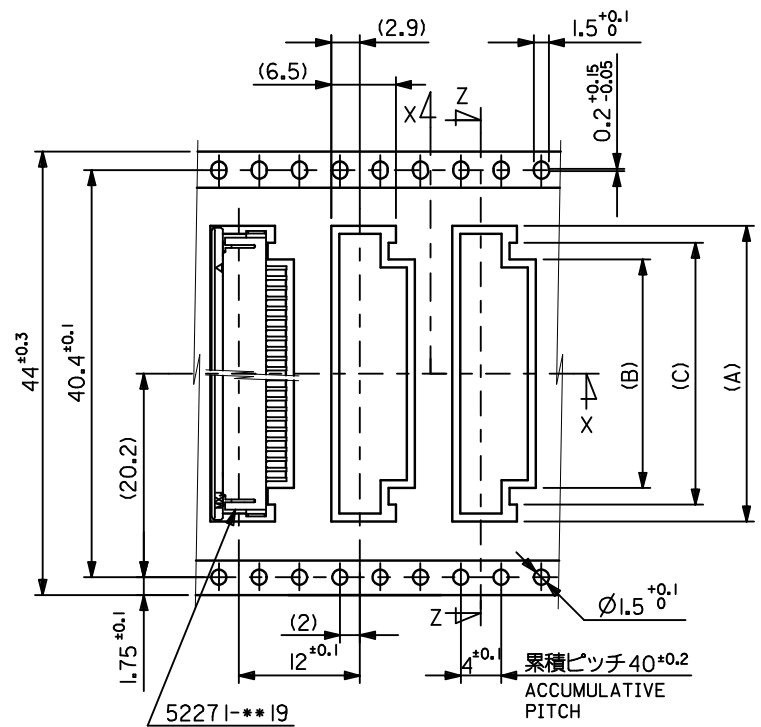
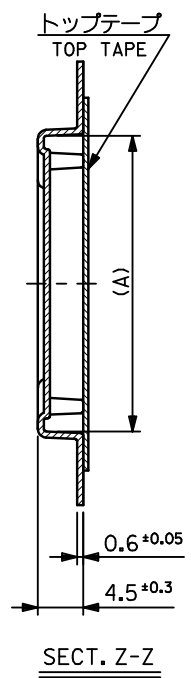
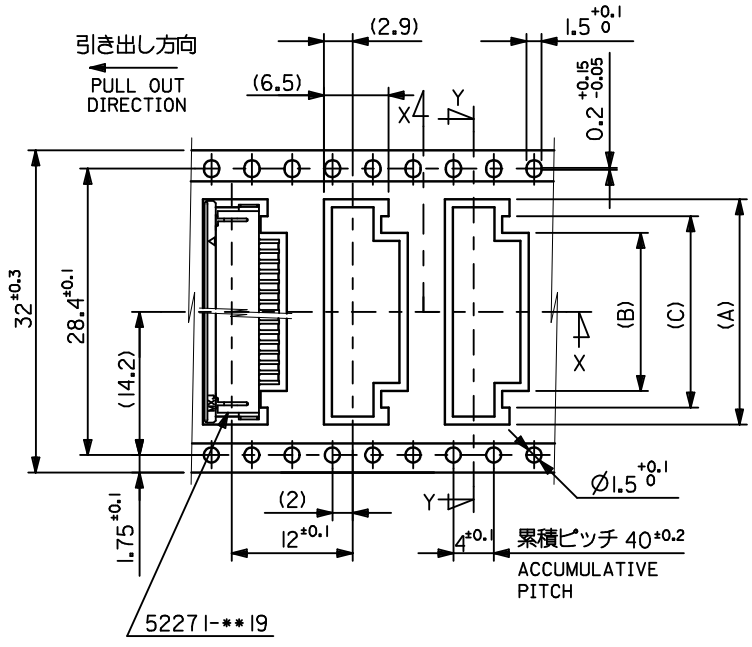
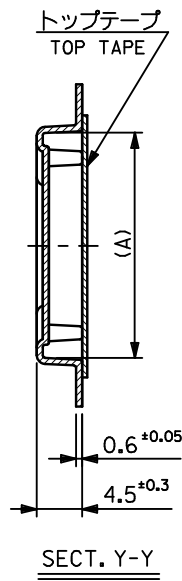
- 製品番号 52271-**-19 の梱包状態はアクチュエータがロックした状態とする。
IN THE PACKAGE, ACTUATOR OF PART NO. 52271-**-19 SHOULD BE LOCKED RE DETAILED DIMENSIONS, SEE SD-52271-036.
- 梱包数量: 1000個/リール
NUMBER OF CONNECTORS: 1000 PCS/REEL
- リードテープ長さ LEAD TAPE LENGTH

トップテープ リーダー部 TOP TAPE LEADER PART	トップテープ 未接着部 TOP TAPE NON-BONDED PART
175 ±25	25 ±5
- トップテープの剥離強度: 0.1~1.3N (10~130gf) (剥離方向は下図参照)
尚、本規格値は、出荷時に適用。(但し、輸送時に剥離が発生しない事。)
PEELING OFF FORCE OF TOP TAPE: 0.1~1.3N (10~130gf)
(PEELING DIRECTION AS SHOWN IN FOLLOWING FIG.)
THIS REQUIREMENT SHOULD BE APPLIED AT SHIPMENT
PEEL OFF SHOULD NOT BE ALLOWED, DURING TRANSPORTATION
- 材料 (MATERIAL)
キャリアテープ (CARRIER TAPE): ポリプロピレン (POLYPROPYLENE)
トップテープ (TOP TAPE): PET, PE, PEF
リール (REEL): ポリスチレン (PS) <リサイクル材を含む>
POLYSTYRENE (PS) <RECYCLE MATERIAL CONTAINED>
- 本製品は52271-**-19の鉛フリー品である。
THIS PRODUCT IS LEAD FREE OF 52271-**-19.
- 本製品は乾燥剤入り、ハイバリア梱包仕様である。
THIS PRODUCT IS HIGH BARRIER PACKAGE WITH DESICCANT.



24	29.4	25.4	15	11.4	18.3	52271-1179	11
			14	10.4	17.3	-1079	10
			13	9.4	16.3	-0979	9
			12	8.4	15.3	-0879	8
			11	7.4	14.3	-0779	7
			10	6.4	13.3	-0679	6
			9	5.4	12.3	-0579	5
			8	4.4	11.3	52271-0479	4
			(C)	(B)	(A)	52271-0479	4

REVISED EC NO: J2009-2061 DRWN:TKON CHKD:HMATSUMOTO APPR:NIKI ITA	DESCRIPTION 2009/05/20 2009/05/21 2009/05/21	GENERAL TOLERANCES (UNLESS SPECIFIED)	DIMENSION STYLE MM ONLY	SCALE ---	DESIGN UNITS METRIC	THIRD ANGLE PROJECTION
		10 UNDER ±0.2	DRAWN BY H. KAWABATA	DATE 2004/03/12	TITLE EMBOSSED TAPE PACKAGE FOR 52271-**-19 -LEAD FREE-	
		10 OVER 30 UNDER ±0.25	CHECKED BY K. TOJO	DATE 2004/03/12	MOLEX INCORPORATED	
		30 OVER ±0.3	APPROVED BY M. SASAO	DATE 2004/03/12	DOCUMENT NO. SD-52271-037	
ANGULAR ±3		MATERIAL NO. SEE TABLE		SHEET NO. 1 OF 3		
DRAFT WHERE APPLICABLE MUST REMAIN WITHIN DIMENSIONS		SIZE A3		THIS DRAWING CONTAINS INFORMATION THAT IS PROPRIETARY TO MOLEX INCORPORATED AND SHOULD NOT BE USED WITHOUT WRITTEN PERMISSION		



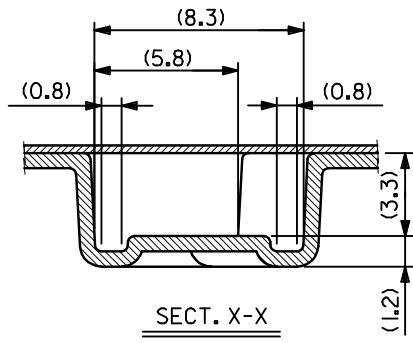
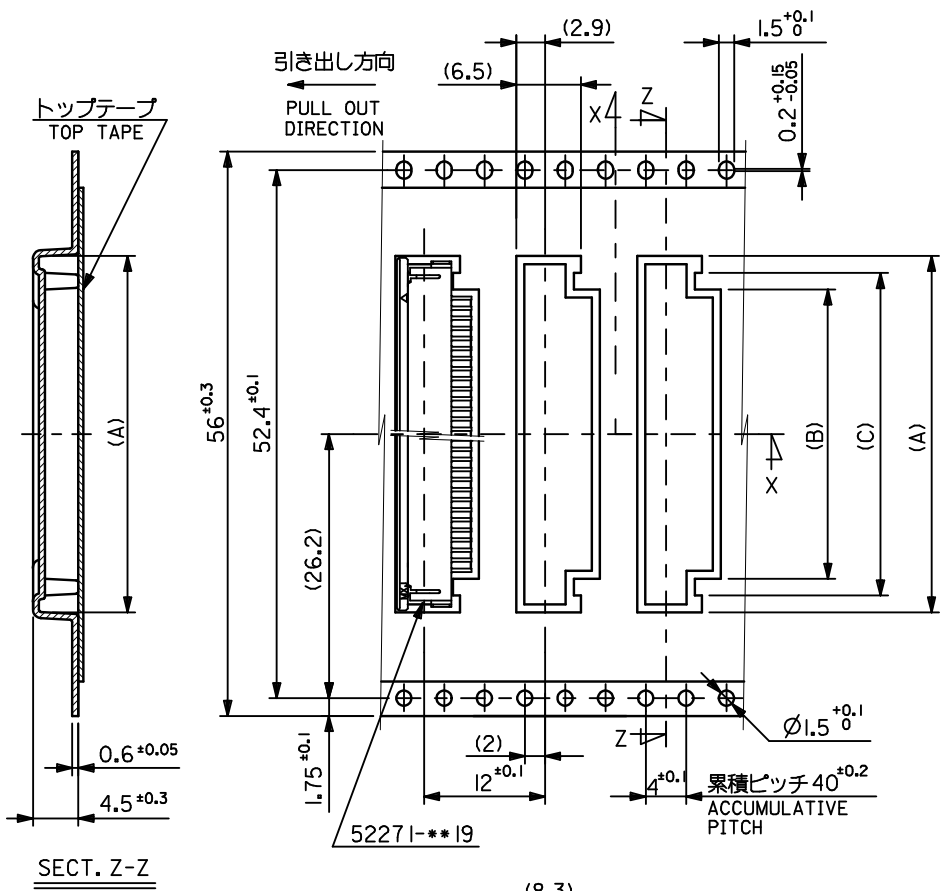
44	49.4	45.4	31	27.4	34.35	52271-2779	27
			30	26.4	33.35	-2679	26
			29	25.4	32.35	-2579	25
			28	24.4	31.35	-2479	24
			27	23.4	30.35	-2379	23
			26	22.4	29.35	-2279	22
			25	21.4	28.35	-2179	21
			24	20.4	27.35	-2079	20
			23	19.4	26.35	-1979	19
			22	18.4	25.35	-1879	18
			21	17.4	24.35	-1779	17
			20	16.4	23.35	-1679	16
			19	15.4	22.35	-1579	15
			18	14.4	21.35	-1479	14
32	37.4	33.4	17	13.4	20.35	-1379	13
			16	12.4	19.35	52271-1279	12
			(C)	(B)	(A)	MATERIAL NO.	
							標 数 CKT.

キャリアテープ幅
CARRIER TAPE WIDTH
fb_frame_A3_J_ME_S
Rev. E 2006/04/15

REVISED EC NO.: J2009-2061 DRWN:TKON 2009/05/20 CHKD:HATSUMOTO 2009/05/21 APPR:NIKI ITA 2009/05/21 REV: A	DESCRIPTION GENERAL TOLERANCES (UNLESS SPECIFIED) 10 UNDER ±0.2 10 OVER 30 UNDER ±0.25 30 OVER ±0.3 ANGULAR ±3° DRAFT WHERE APPLICABLE MUST REMAIN WITHIN DIMENSIONS	DIMENSION STYLE MM ONLY	SCALE ---	DESIGN UNITS METRIC	THIRD ANGLE PROJECTION	
		DRAWN BY H. KAWABATA	DATE 2004/03/12	TITLE EMBOSSED TAPE PACKAGE FOR 52271-**-19 -LEAD FREE-		
		CHECKED BY K. TOJO	DATE 2004/03/12	MOLEX INCORPORATED		
		APPROVED BY M. SASAO	DATE 2004/03/12	MATERIAL NO. SEE TABLE		DOCUMENT NO. SD-52271-037
SIZE A3		THIS DRAWING CONTAINS INFORMATION THAT IS PROPRIETARY TO MOLEX INCORPORATED AND SHOULD NOT BE USED WITHOUT WRITTEN PERMISSION				

52271-**-79
MODEL NO.

SHEET NO.
2 OF 3



56	61.4	57.4	34	30.4	37.35	52271-3079	30
			33	29.4	36.35	52271-2979	29
			32	28.4	35.35	52271-2879	28
キャリアテープ幅 CARRIER TAPE WIDTH	E	D	(C)	(B)	(A)	MATERIAL NO.	種 数 CKT.

REVISED EC NO.: J2009-2061 DRWN:TKON CHKD:HMATSUMOTO APPR:NIKI ITA 2009/05/20 2009/05/21 2009/05/21	GENERAL TOLERANCES (UNLESS SPECIFIED)		DIMENSION STYLE MM ONLY		SCALE ---	DESIGN UNITS METRIC	THIRD ANGLE PROJECTION		
	10 UNDER ±0.2 10 OVER 30 UNDER ±0.25 30 OVER ±0.3	DRAWN BY H. KAWABATA		DATE 2004/03/12		TITLE EMBOSSED TAPE PACKAGE FOR 52271-**-19 -LEAD FREE-			
	ANGULAR ±3° DRAFT WHERE APPLICABLE MUST REMAIN WITHIN DIMENSIONS	CHECKED BY K. TOJO		DATE 2004/03/12		MOLEX INCORPORATED			
	A	APPROVED BY M. SASAO		DATE 2004/03/12		MATERIAL NO. SEE TABLE		DOCUMENT NO. SD-52271-037	
THIS DRAWING CONTAINS INFORMATION THAT IS PROPRIETARY TO MOLEX INCORPORATED AND SHOULD NOT BE USED WITHOUT WRITTEN PERMISSION					SHEET NO. 3 OF 3				