

SAA7893HL

Super audio media player

Rev. 02 — 26 February 2003

Product data

1. General description

Thanks to the superior sound quality and multichannel capability of Super Audio CD (SACD) technology, multimedia devices such as DVD players and home cinema systems are incorporating SACD functionality. Philips' Super Audio Media Player (SA-MP) provides a flexible, state-of-the-art solution for SACD playback on DVD architectures.

Built around the SAA7893HL SACD processor, SA-MP system solution delivers complete SACD functionality, avoiding the need for continual redesign and re-integration of SACD into various applications. The system is completed with a single 64 Mbit SDRAM and has extensive software processing options, resulting in low total system cost (see [Figure 1](#)).

With integrated support for multiple loaders, the SAA7893 supports a variety of DVD platforms. High level and standard software interfaces – optimized for easy design-in – further enhance adaptability, enabling designers to build SACD players on many different hardware and software platforms. This ensures that the SA-MP can be left unchanged even if the SACD playback hardware is altered, again minimizing development effort.

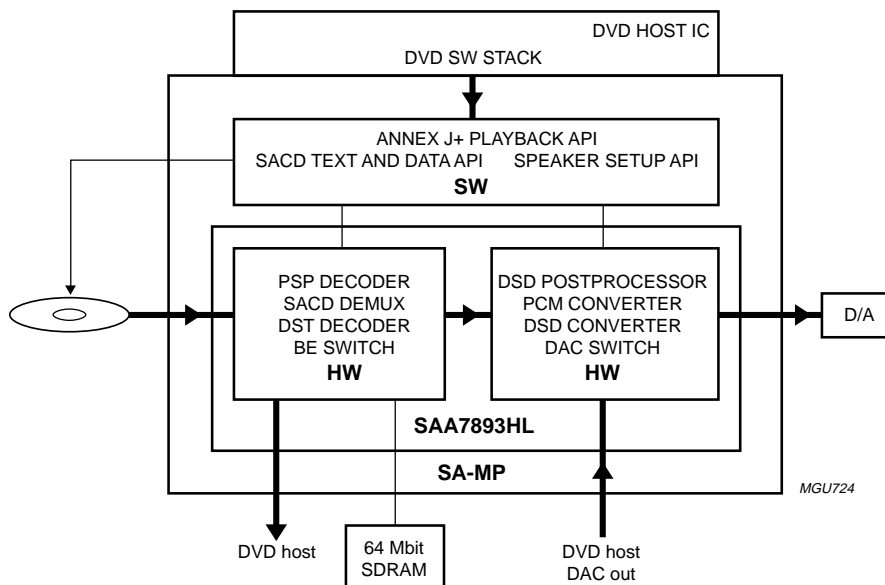


Fig 1. General block diagram.



PHILIPS

1.1 Hardware

The SA-MP hardware consists of the SAA7893HL device. A typical HW block diagram of a DVD system incorporating the SAA7893HL is shown in Figure 2.

The SAA7893HL takes sector data from the front-end. The front-end is controlled by the DVD host via the SA-MP software stack. The SAA7893HL uses one 64 Mbit SDRAM for audio data buffering and storage of SACD TOCs. The front-end timing can be fully asynchronous from all clocks.

The 6-channel DAC outputs of the DVD host are routed via the SAA7893HL which provides a DAC switch function between SACD mode and DVD mode. The audio outputs of the SAA7893HL operate on the system audio clock.

The DVD back-end communicates with the SAA7893HL via a host bus. The system clock and the system audio clock are allowed to be asynchronous.

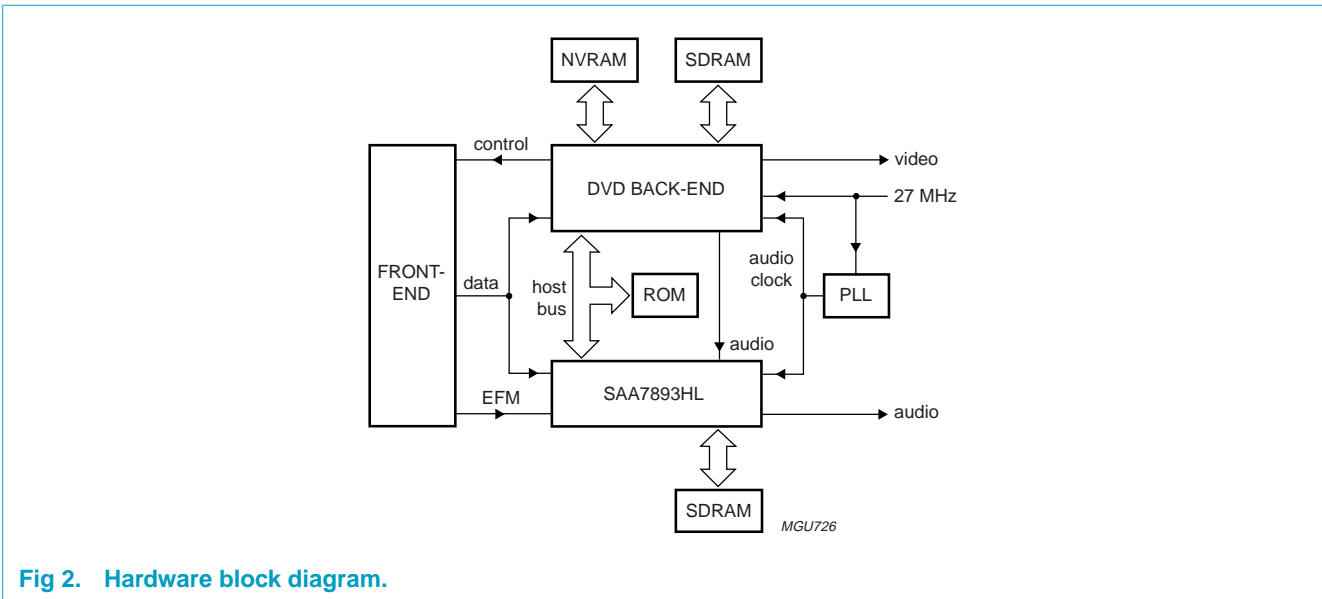


Fig 2. Hardware block diagram.

1.2 Software

The SA-MP software is delivered in the form of a library in the development environment of the DVD host. The SA-MP software has been developed in ANSI-C using conventional software technology to allow easy integration into any development environment. A typical software block diagram of a DVD system incorporating SA-MP is shown in Figure 3.

At the device driver and HW-level, SA-MP interfaces with the SAA7893HL and a front-end driver. At the infrastructure level, SA-MP interfaces with an Operating System Abstraction layer (OSA). At the application level, SA-MP provides a high-level playback and post-processing interface which is easy to integrate into typical applications.

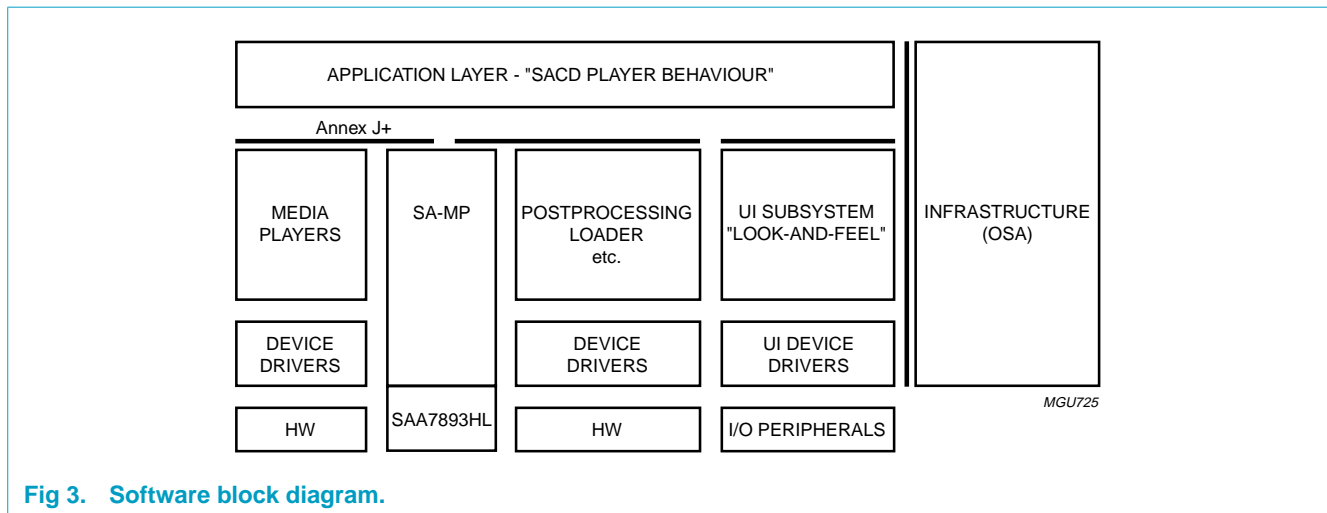


Fig 3. Software block diagram.

2. Features

2.1 Components

- SAA7893HL second generation SACD processor IC
- SA-MP Annex J+ level software stack.

2.2 HW interfaces

- Front-end, supports 3 types:
 - ◆ UDE
 - ◆ FEC
 - ◆ I²S-bus
- Flexible PSP detection from EFM signal with AGC, without EFM clock (digital PLL)
- (DVD-)host bus, supports 3 types:
 - ◆ Separate address/data bus (SAD16) with 16-bit data bus (3 different modes)
 - ◆ Multiplexed address/data bus (MAD16) with 16-bit data bus (2 different modes)
 - ◆ Separate address/data bus (SAD08) with 8-bit data bus (1 mode)
- 16-bit 100 MHz SDRAM interface supports one 64 Mbit device
- 6-channel I²S-PCM audio input 44.1, 48, 88.2, 96, 176.4 or 192 kHz at 16-bit or 24-bit
- 6-channel DSD or I²S-PCM (2f_s or 4f_s) output with programmable pinning configuration
- 2-channel DSD or I²S-PCM (2f_s or 4f_s) output with programmable pinning configuration
- Audio clock reference 256f_s, 384f_s, 512f_s or 768f_s
- System clock 27 to 35 MHz.

2.3 SW interfaces

- Annex J+ level playback interface

- High-level audio post-processing control
- SACD data interface
- System configuration

2.4 System

- Full SACD Menu TOC and Area TOC storage in VBR
- Front-end clock asynchronous to other clocks

2.5 System configuration

- D/A converters:
 - ◆ DSD and PCM selectable pin sharing configuration
 - ◆ DSD clock polarity
- Audio and system clock asynchronous
- Front-end type

2.6 SACD playback

- SACD playback:
 - ◆ Multi-channel
 - ◆ 2-channel
- PSP processing
- Decrypting and demultiplexing
- VBR management
- DST decoding
- Fade processing
- Annex J+ level software interface:
 - ◆ Stop
 - ◆ Pause
 - ◆ Play
 - ◆ Fast forward
 - ◆ Fast reverse
 - ◆ Next/previous track
 - ◆ Program and play playlist
 - ◆ Repeat (Track, All or AB)
 - ◆ Shuffle
 - ◆ Introsan
 - ◆ Time search

2.7 Audio postprocessing

- DSD Bass Management with support of:
 - ◆ Dolby® configuration 0 (LLL1)
 - ◆ Dolby® configuration 1 (SSS1)
 - ◆ Dolby® configuration 2 (LSS0)
- Programmable bass filter frequency and slope:

- ◆ 60, 80, 100, 120 Hz
 - ◆ 12, 18, 24 dB/Oct
- (other frequencies or slopes are possible on customer request)
- DSD down mixing:
 - ◆ 2/2
 - ◆ 3/0
 - ◆ 2/0
 - ◆ separate 2/0
 - DSD attenuation function 0 to -90 dB, programmable per channel
 - DSD delay function total 65 ms (approximately 20 meters), programmable per channel
 - 6-channel PCM input:
 - ◆ 44.1, 88.2, 176.4, 48, 96 or 192 kHz at 16-bit or 24-bit
 - ◆ PCM to DSD upsampling with 3 programmable Sigma-Delta and anti-aliasing filter modes
 - ◆ Attenuation and delay as with DSD
 - DSD to PCM conversion 88.2, 176.4 kHz at 24-bit.

2.8 SACD data and text

- Album info
- Disc info
- Album or disc text
- Area text
- Track data
- Track text.

2.9 General

- E-JTAG for board test and debug
- 3.3 V pad supply voltage
- 1.8 V core supply voltage
- 1.8 V analog supply voltage
- LQFP128 package
- 0.18 μm CMOS process.

3. Applications

- Consumer DVD players
- Home cinema
- Car audio systems.

4. Ordering information

Table 1: Ordering information

Type number	Package		Version
	Name	Description	
SAA7893HL	LQFP128	plastic low profile quad flat package; 128 leads; body 14 × 20 × 1.4 mm ²	SOT425-1

5. Block diagram

Figure 4 shows the block diagram of the SAA7893HL with all defined functions.

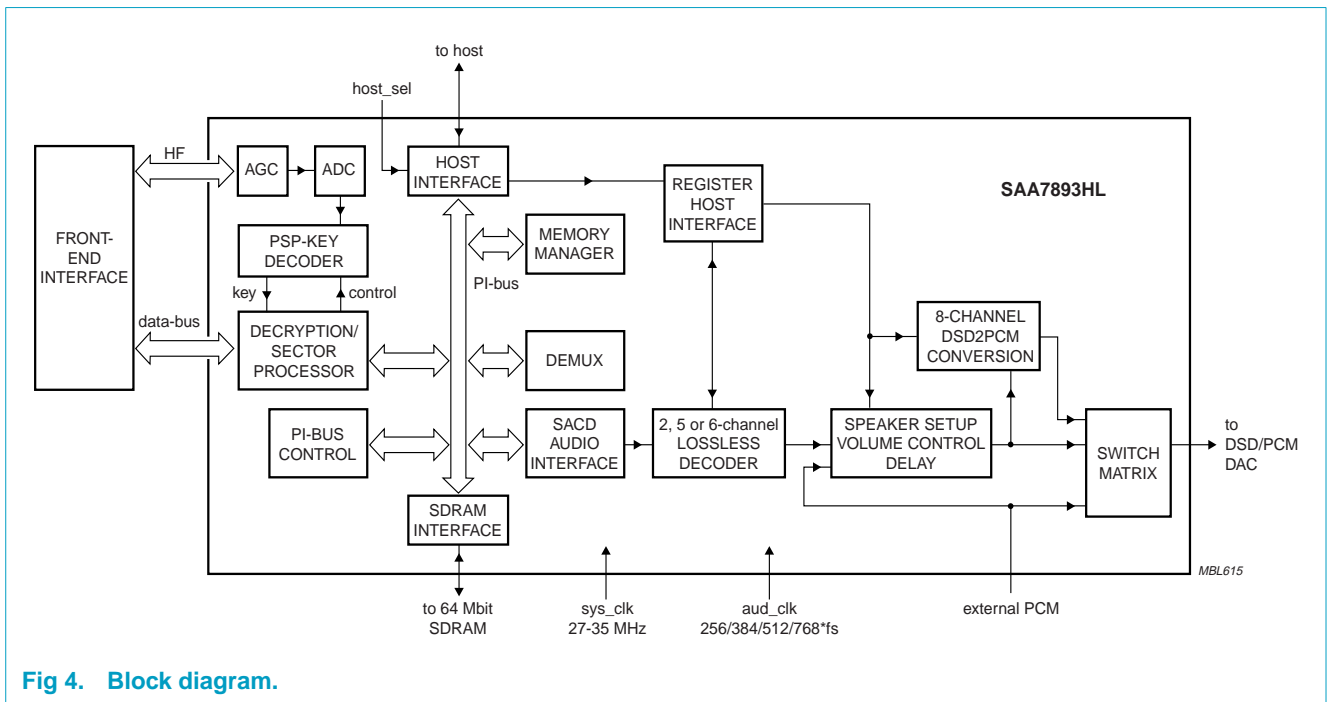


Fig 4. Block diagram.

6. Pinning information

6.1 Pinning

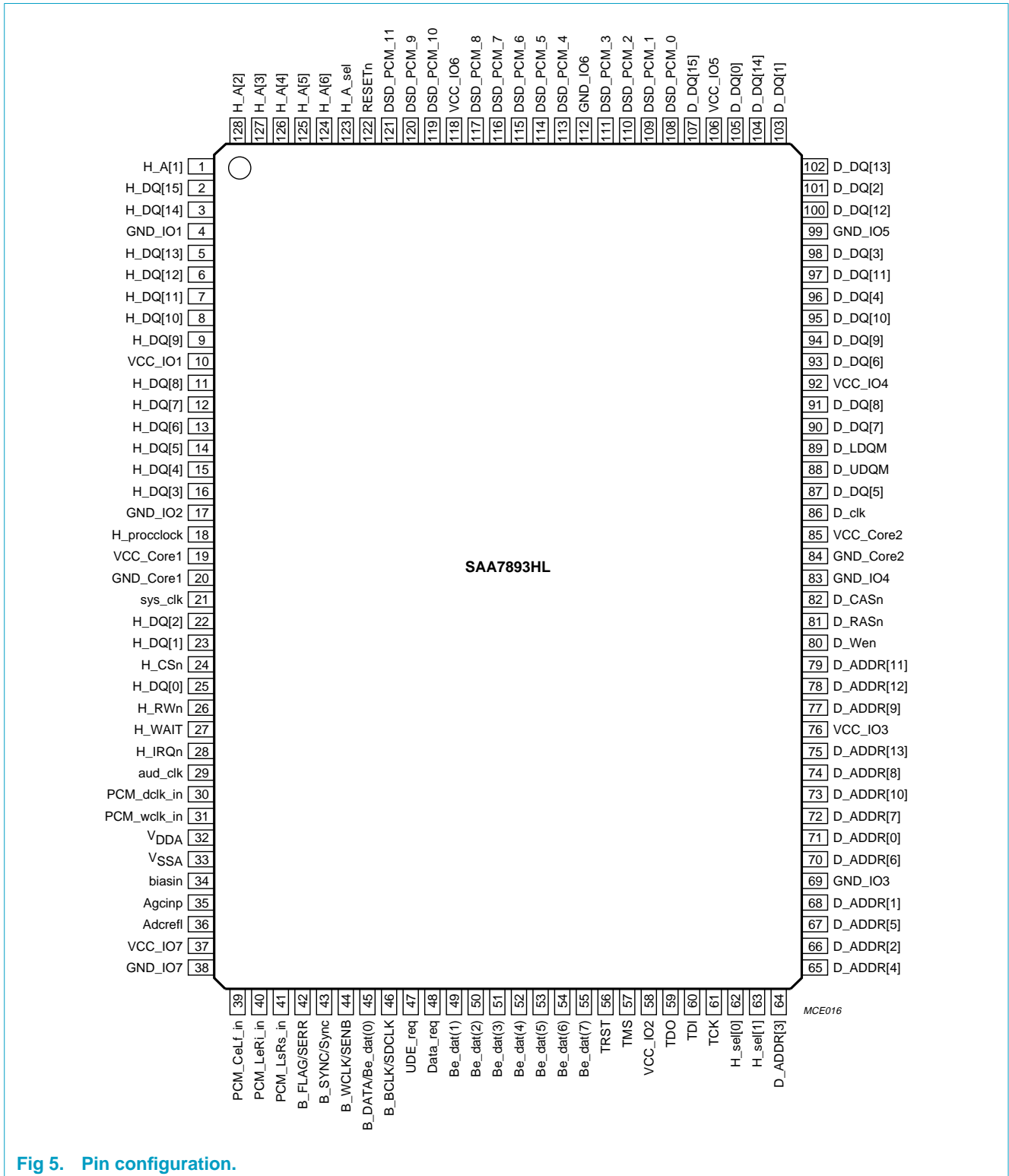


Fig 5. Pin configuration.

6.2 Pin description

Table 2: Pin description

Symbol	Pin	Type ^[1]	Description
H_A[1]	1	IN	address bus
H_DQ[15]	2	I/O10	data bus
H_DQ[14]	3	I/O10	data bus
GND_IO1	4	GND_IO	GND I/O pads
H_DQ[13]	5	I/O10	data bus
H_DQ[12]	6	I/O10	data bus
H_DQ[11]	7	I/O10	data bus
H_DQ[10]	8	I/O10	data bus
H_DQ[9]	9	I/O10	data bus
VCC_IO1	10	VCC_IO	V _{CC} I/O pads
H_DQ[8]	11	I/O10	data bus
H_DQ[7]	12	I/O10	data bus
H_DQ[6]	13	I/O10	data bus
H_DQ[5]	14	I/O10	data bus
H_DQ[4]	15	I/O10	data bus
H_DQ[3]	16	I/O10	data bus
GND_IO2	17	GND_IO	GND I/O pads
H_procclock	18	IN	host processor EMI interface clock
VCC_Core1	19	VCC_core	core supply voltage
GND_Core1	20	GND_core	core ground
sys_clk	21	IN	system clock
H_DQ[2]	22	I/O10	data bus
H_DQ[1]	23	I/O10	data bus
H_CS _n	24	IN	host chip select; active LOW
H_DQ[0]	25	I/O10	data bus
H_RW _n	26	IN	read = 1; write = 0
H_WAIT	27	O10	wait signal
H_IRQ _n	28	O10	interrupt request; active LOW
aud_clk	29	IN	DSD audio clock
PCM_dclk_in	30	IN	PCM data clock
PCM_wclk_in	31	IN	PCM word clock
V _{DDA}	32	VDDCO	V _{DD} of ADC
V _{SSA}	33	VSSCO	V _{SS} of AGC and ADC; connected to substrate
biasin	34	APIO	bias current input
Agcinp	35	APIO	AGC positive input signal; HF in
Adcrefl	36	APIO	ADC decoupling
VCC_IO7	37	VCC_IO	V _{CC} I/O pads
GND_IO7	38	GND_IO	GND I/O pads
PCM_CeLf_in	39	IN	PCM data center or LFE

Table 2: Pin description...continued

Symbol	Pin	Type ^[1]	Description
PCM_LeRi_in	40	IN	PCM data left or right
PCM_LsRs_in	41	IN	PCM data left or right surround
B_FLAG/SERR	42	IN	I ² S-bus flag (EDC flag)
B_SYNC/Sync	43	IN	sector sync or absolute time sync
B_WCLK/SENB	44	IN	I ² S-bus word clock or UDE data sense from host
B_DATA/Be_dat(0)	45	IN	I ² S-bus data or LSB data of parallel interface
B_BCLK/SDCLK	46	IN	I ² S-bus bit clock
UDE_req	47	IN	host request data from front-end; routed via the SAA7893HL
Data_req	48	O10	data request for UDE
Be_dat(1)	49	IN	front-end parallel data interface
Be_dat(2)	50	IN	front-end parallel data interface
Be_dat(3)	51	IN	front-end parallel data interface
Be_dat(4)	52	IN	front-end parallel data interface
Be_dat(5)	53	IN	front-end parallel data interface
Be_dat(6)	54	IN	front-end parallel data interface
Be_dat(7)	55	IN	front-end parallel data interface
TRST	56	IN1	boundary scan reset
TMS	57	IN1	boundary scan mode select
VCC_IO2	58	VCC_IO	V _{CC} I/O pads
TDO	59	O10	output
TDI	60	IN1	boundary scan data input
TCK	61	IN	boundary scan clock
H_sel[0]	62	IN	host select signals: SAD16, MAD16 and SAD08
H_sel[1]	63	IN	host select signals: SAD16, MAD16 and SAD08
D_ADDR[3]	64	O10	SDRAM address bus
D_ADDR[4]	65	O10	SDRAM address bus
D_ADDR[2]	66	O10	SDRAM address bus
D_ADDR[5]	67	O10	SDRAM address bus
D_ADDR[1]	68	O10	SDRAM address bus
GND_IO3	69	GND_IO	GND I/O pads
D_ADDR[6]	70	O10	SDRAM address bus
D_ADDR[0]	71	O10	SDRAM address bus
D_ADDR[7]	72	O10	SDRAM address bus
D_ADDR[10]	73	O10	SDRAM address bus
D_ADDR[8]	74	O10	SDRAM address bus
D_ADDR[13]	75	O10	SDRAM address bus
VCC_IO3	76	VCC_IO	V _{CC} I/O pads
D_ADDR[9]	77	O10	SDRAM address bus

Table 2: Pin description...continued

Symbol	Pin	Type ^[1]	Description
D_ADDR[12]	78	O10	SDRAM address bus
D_ADDR[11]	79	O10	SDRAM address bus
D_Wen	80	O10	read or write
D_RASn	81	O10	row address select; active LOW
D_CASn	82	O10	column address select; active LOW
GND_IO4	83	GND_IO	GND I/O pads
GND_Core2	84	GND_core	core ground
VCC_Core2	85	VCC_core	core supply voltage
D_clk	86	O10	clock signal needed for SDRAM
D_DQ[5]	87	I/O10	data bus
D_UDQM	88	O10	DQ mask enable (upper)
D_LDQM	89	O10	DQ mask enable (lower)
D_DQ[7]	90	I/O10	data bus
D_DQ[8]	91	I/O10	data bus
VCC_IO4	92	VCC_IO	V _{CC} I/O pads
D_DQ[6]	93	I/O10	data bus
D_DQ[9]	94	I/O10	data bus
D_DQ[10]	95	I/O10	data bus
D_DQ[4]	96	I/O10	data bus
D_DQ[11]	97	I/O10	data bus
D_DQ[3]	98	I/O10	data bus
GND_IO5	99	GND_IO	GND I/O pads
D_DQ[12]	100	I/O10	data bus
D_DQ[2]	101	I/O10	data bus
D_DQ[13]	102	I/O10	data bus
D_DQ[1]	103	I/O10	data bus
D_DQ[14]	104	I/O10	data bus
D_DQ[0]	105	I/O10	data bus
VCC_IO5	106	VCC_IO	V _{CC} I/O pads
D_DQ[15]	107	I/O10	data bus
DSD_PCM_0	108	O10	6-channel data output
DSD_PCM_1	109	O10	6-channel data output
DSD_PCM_2	110	O10	6-channel data output
DSD_PCM_3	111	O10	6-channel data output
GND_IO6	112	GND_IO	GND I/O pads
DSD_PCM_4	113	O10	6-channel data output
DSD_PCM_5	114	O10	6-channel data output
DSD_PCM_6	115	O10	6-channel clock/control
DSD_PCM_7	116	O10	6-channel clock/control
DSD_PCM_8	117	O10	2-channel clock/control
VCC_IO6	118	VCC_IO	V _{CC} I/O pads

Table 2: Pin description...continued

Symbol	Pin	Type ^[1]	Description
DSD_PCM_10	119	O10	2-channel data output
DSD_PCM_9	120	O10	2-channel clock or control
DSD_PCM_11	121	O10	2-channel data output
RESETn	122	IN	asynchronous reset; active LOW
H_A_sel	123	IN	address select
H_A[6]	124	IN	address bus
H_A[5]	125	IN	address bus
H_A[4]	126	IN	address bus
H_A[3]	127	IN	address bus
H_A[2]	128	IN	address bus

[1] Explanation of input and output ports:

IN: digital input port; all dedicated inputs are TTL tolerant.

IN1: digital input port with internal pull-up resistor.

I/O10: bidirectional port with 10 ns slew rate.

O10: 3-state (in test mode) output port with 10 ns slew rate.

APIO: analog input port.

VDDCO: analog V_{DD} port (1.8 V).

VSSCO: analog V_{SS} port.

GND_IO: ground for I/O pads.

VCC_IO: V_{CC} for I/O pads (3.3 V).

GND_core: ground for core.

VCC_core: V_{CC} for core (1.8 V).

7. Interfaces

7.1 Host interface

Different types of host busses are supported:

- Separate address/data bus with 16-bit data bus (3 different modes)
- Multiplexed address/data bus with 16-bit data bus (2 different modes)
- Separate address/data bus with 8-bit data bus (1 mode).

The host interface type is set via the dedicated pins H_sel and sys_clk. The SAA7893HL has a dedicated interrupt output pin.

7.2 Front-end interface

7.2.1 Data input interface

The SAA7893HL supports three different front-end interfaces which are selectable via the host interface:

- I²S-bus interface: the front-end interface is in essence an I²S-bus interface and therefore, it has to conform to the I²S-bus specification.
- FEC interface

- Parallel interface (UDE data interface part): a parallel front-end interface with a handshake protocol.

7.2.2 Analog HF input

The analog HF input, coming from the optical pickup unit, is also fed to the SAA7893HL to extract the copy protection information PSP.

7.3 Audio interface

7.3.1 Audio input

The audio input is a 6-channel PCM-I²S input.

7.3.2 DAC interface

The audio output is a 6-channel output and a separate stereo output. Both outputs can be set in DSD and in PCM-I²S mode.

7.4 SDRAM interface

The SDRAM interface forms a glueless interface to one 64 Mbit SDRAM device.

Supported devices are only PC100 compliant or faster SDRAM devices:

- Organization: 64 Mbit (1M × 16 × 4 banks)
- Refresh period: 4096 cycles per 64 ms
- Clock frequency: $f_{\text{clk}} \geq 100$ MHz
- Refresh cycle: $t_{\text{rcar}} \leq 70$ ns
- Command period: $t_{\text{rc}} \leq 70$ ns.

7.5 Clock and reset input

Different processing clocks are needed in the SAA7893HL:

- sys_clk: system clock for data processing part; frequency can be between 27 and 35 MHz; see [Figure 6](#) and [Table 3](#)
- aud_clk: audio clock reference; can be $256/384/512/768 \times f_s$ ($f_s = 44.1$ to 48 kHz); see [Figure 7](#) and [Table 4](#)
- proc_clk: host processor clock (only used in SAD16_01/02 mode)
- B_BCLK: front-end bit/byte clock.

It is not required that these clocks are locked.

RESETn is an asynchronous reset and should be kept LOW for at least 10 periods of sys_clk.

7.5.1 System clock (sys_clk) definitions

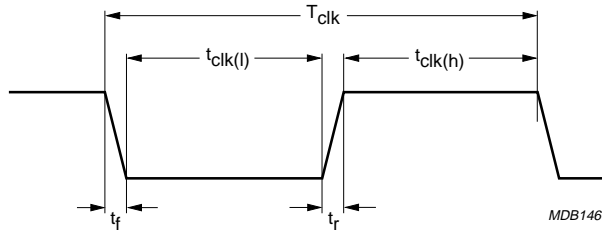


Fig 6. Sys_clk characteristics

Table 3: Definitions of sys_clk

Symbol	Parameter	Conditions	Min	Max	Unit
T_{clk}	clock cycle time	clock frequency from 27 to 35 MHz	28.5	37.4	ns
$t_{clk(l)}$	clock time low		11.4	22.4	ns
$t_{clk(h)}$	clock time high		11.4	22.4	ns
t_f	fall time		-	4	ns
t_r	rise time		-	4	ns
δ_{clk}	clock duty cycle		40	60	%

7.5.2 Audio clock (aud_clk) definitions

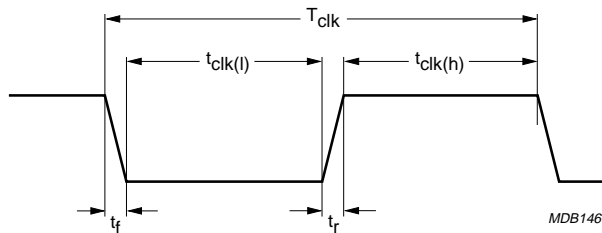


Fig 7. Aud_clk characteristics

Table 4: Definitions of aud_clk

Symbol	Parameter	Conditions	Min	Max	Unit
T_{clk}	clock cycle time	clock frequency from 256×44.1 kHz to 768×48 kHz	27	88.6	ns
$t_{clk(l)}$	clock time low		10.8	53.1	ns
$t_{clk(h)}$	clock time high		10.8	53.1	ns
t_f	fall time		-	4	ns
t_r	rise time		-	4	ns
δ_{clk}	clock duty cycle		40	60	%

7.6 Test inputs

Standard BST functionality is provided. Device data:

Version: B0010

Manufacturer ID: B000 0001 0101

Part no: B0011 0101 0110 0100.

8. Host interface

8.1 General description

The SAA7893HL is capable to communicate with the hosts (families) via their own busses as given in [Table 5](#).

Table 5: Host communications

Name	Description
SAD16_01	Separate Address/Data on 16-bit data bus with wait signal, based on proc_clk
SAD16_02	Separate Address/Data on 16-bit data bus with wait signal, based on sys_clk and proc_clk
SAD16_03	Separate Address/Data on 16-bit data bus without wait signal
MAD16_01	Multiplexed Address/Data on 16-bit data bus mode 01
MAD16_02	Multiplexed Address/Data on 16-bit data bus mode 02
SAD08	Separate Address/Data on 8-bit data bus

The type of host is selected via two input pins H_sel[1] and H_sel[0] and the proc_clk signal. In [Table 6](#) the settings for the different host modes are given with the expected input clock(s).

Table 6: Clock selection

H_sel[1:0]	Mode	External provided clocks		Internal used system clock
		sys_clk	proc_clk	
00	SAD16_01	no	yes	proc_clk/2
10	SAD16_02	yes	yes	sys_clk
01	SAD16_03	yes	logic 1	sys_clk
11	MAD16_01	yes	logic 0	sys_clk
11	MAD16_02	yes	logic 1	sys_clk
01	SAD08	yes	logic 0	sys_clk

In all modes the range of the required internal system clock is between 27 and 35 MHz.

The pin mapping in the different modes is shown in [Table 7](#).

Table 7: Host communication data mapping

SAA7893HL name	Type	SAD16_01; SAD16_02	SAD08	MAD16_01	MAD16_02	SAD16_03
H_A_sel	IN	CPU_A(7)	A(11)	ALE	ALE	LA(7)
H_A[3:1]	IN	CPU_A(4:1)	A(3:1)	LA(2:0)	addr[3:1]	LA(3:1)
H_A[4]	IN	CPU_A(4:1)	A(4)	LA(3)	n.c.	LA(4)
H_A[6:5]	IN	CPU_A(6:5)	A(6:5)	AD(21:20)	n.c.	LA(6:5)
H_DQ[7:0]	I/O	CPU_D(7:0)	D(7:0)	AD(11:4)	data(7:0)	LD(7:0)

Table 7: Host communication data mapping...continued

SAA7893HL name	Type	SAD16_01; SAD16_02	SAD08	MAD16_01	MAD16_02	SAD16_03
H_DQ[11:8]	I/O	CPU_D(11:8)	A(10:7)	AD(15:12)	data(11:8)	LD(11:8)
H_DQ[12]	I/O	CPU_D(12)	n.c.	AD(16)	data(12)	LD(12)
H_DQ[13]	I/O	CPU_D(13)	ASn	AD(17)	data(13)	LD(13)
H_DQ[14]	I/O	CPU_D(14)	DSn	AD(18)	data(14)	LD(14)
H_DQ[15]	I/O	CPU_D(15)	A(0)	AD(19)	data(15)	LD(15)
H_IRQn	O	IRQn	IRQn	IRQn	IRQn	IRQn
H_procclock	IN	CPU_procclock	logic 0	logic 0	logic 1	logic 1
sys_clk	IN	n.c.; sysclk	PCI-clk	Sclk	sys_clk	sys_clk
H_RWn	IN	CPU_RWn	R/Wn	RD_	RD_	RD_
H_WAITn	O	CPU_wait	DSACKn	ACK	HDTACKn	n.c.
H_CSn	IN	CPU_CSn	CS	XIO	CSn	CSn
H_sel[0]	IN	0	logic 1	logic 1	logic 1	logic 1
H_sel[1]	IN	logic 0: mode 1; logic 1: mode 2	logic 0	logic 1	logic 1	logic 0

The internal SAA7893HL address is differently composed in the different modes.

8.2 SAD16_01/02 mode

Reading and writing is always done on 16 bits (Hword) base. To save physical pins on the SAA7893HL, the data bus is used to write the 16 MSB address bits, hereafter called 'the base address' into the SAA7893HL. Therefore, to access an address inside the SAA7893HL first these 16 MSB bits of the address must be written as a base address for the SAA7893HL indicated by the H_A_sel line. Pin H_A_sel can be mapped to a physical address pin of the host device.

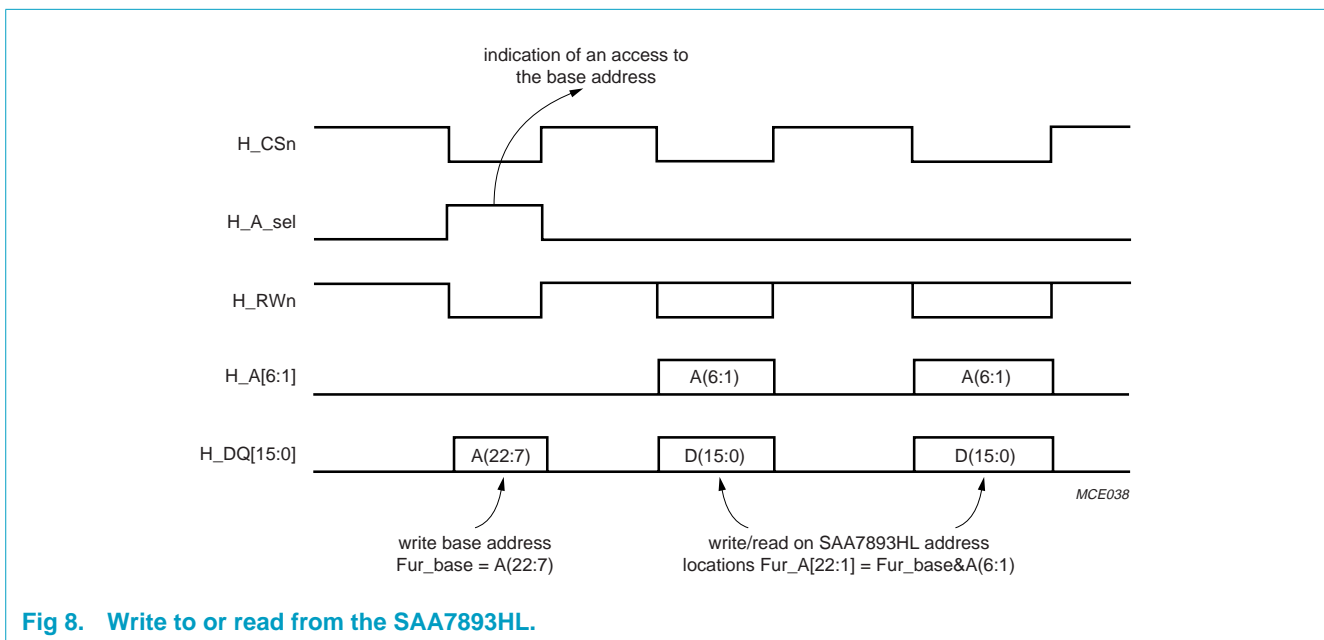


Fig 8. Write to or read from the SAA7893HL.

In **Figure 8** the principle of first writing the base address indicated by H_A_sel is here visualized. Pin H_A_sel is mapped on address pin H_A[7] of the host. The timing is, of course, not to scale. When the base address is written, multiple accesses can be done whereby the different LSB addresses are mapped on pins H_A[6:1]. In this way a burst of 64 Hwords can be read or written to the same address. The 16 bits base address can be read when H_A_sel is logic 1 and the signal H_RWn indicates a read operation.

Remark: The H_waitn signal is synchronized to H_procclock (pin 18). So it depends on the host used which H_procclock is provided. When the host can accept an asynchronous H_waitn signal, the clock signal connected to the sys_clk input (pin 21) can also be used as the clock signal to the H_procclock input.

8.2.1 Write mode: minimum cycle

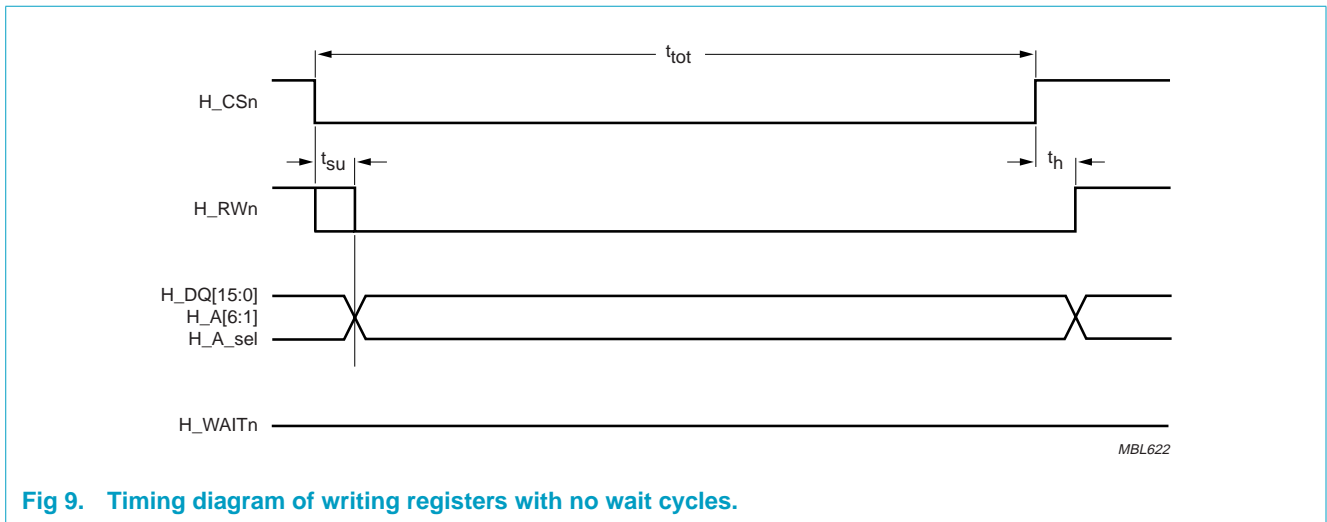


Fig 9. Timing diagram of writing registers with no wait cycles.

Table 8: Timing numbers of writing registers with no wait cycles

Symbol	Parameter	Min	Typ	Max	Unit
t _{tot}	total CSn time	14	-	-	sys_clk
t _{su}	set-up time from CS to host control/address lines	-	-	30	ns
t _h	hold time from CS to host control/address lines	0	-	-	ns

8.2.2 Read mode: minimum cycle

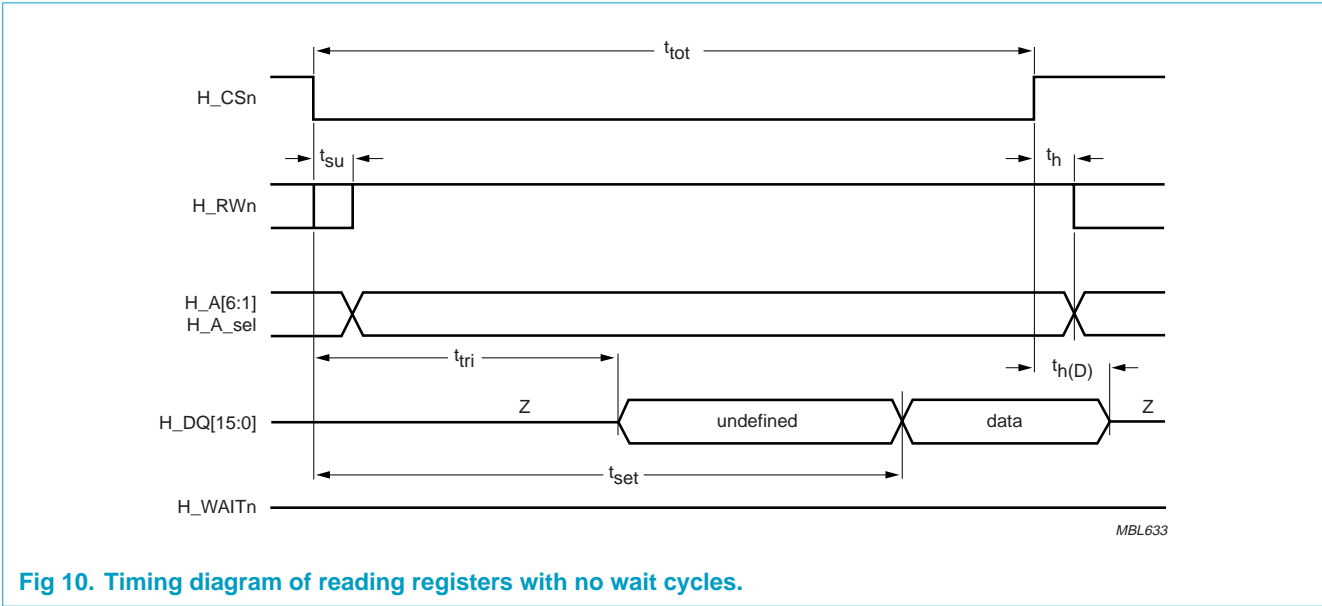


Fig 10. Timing diagram of reading registers with no wait cycles.

Table 9: Timing numbers of reading registers with no wait cycles

Symbol	Parameter	Conditions	Min	Typ	Max	Unit
t_{tot}	total CSn time		14	-	-	sys_clk
t_{su}	set-up time from CS to host control/address lines		0	-	30	ns
t_h	hold time from CS to host control/address lines	maximum time is not needed; can be forever	0	-	-	ns
t_{tri}	time that data bus is set from 3-state to output		1	-	3	sys_clk
t_{set}	time that data is valid before CS is set to logic 1		60	-	-	ns
$t_{h(D)}$	hold time from CS to data bus		0	-	-	ns

8.2.3 Write mode: cycles extended using wait protocol

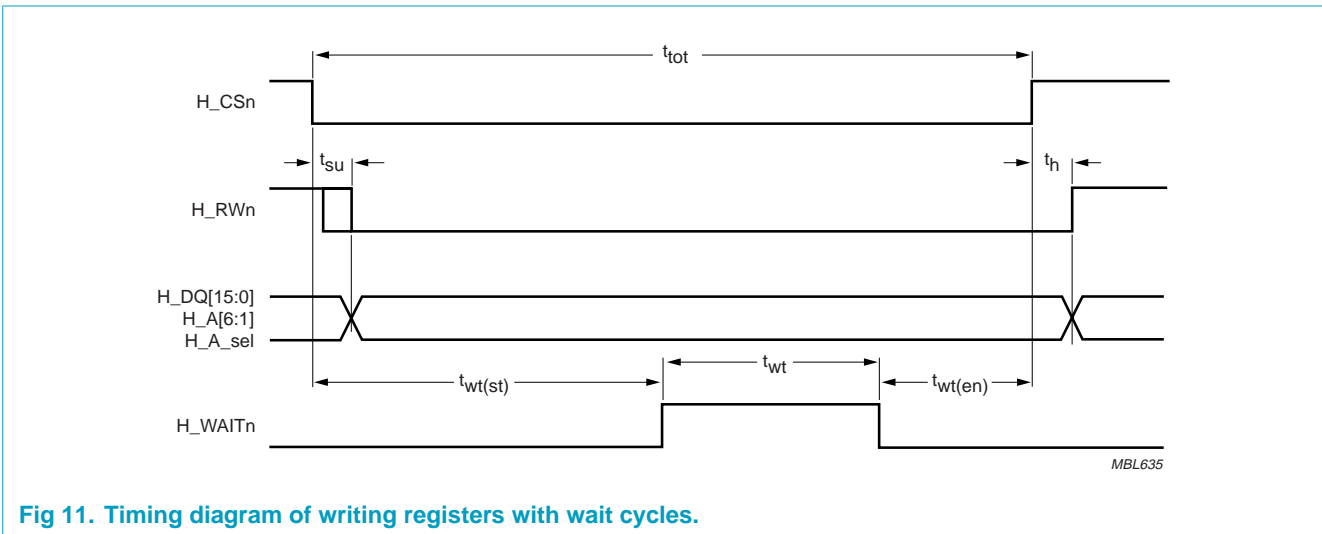


Fig 11. Timing diagram of writing registers with wait cycles.

Table 10: Timing numbers of writing registers with wait cycles

Symbol	Parameter	Conditions	Min	Typ	Max	Unit
t_{tot}	total CSn time		14	-	-	sys_clk
t_{su}	set-up time from CS to host control/address lines		0	-	30	ns
t_h	hold time from CS to host control/address lines		0	-	-	ns
t_{wt}	active time of H_WAIT when Pi registers are accessed	speed is dependent on load on PI-bus	3	8	11	sys_clk
t_{wt}	active time of H_WAIT when external SDRAM is accessed	speed is dependent on load on PI-bus	3	11	17	sys_clk
$t_{wt(st)}$	time from CS until wait becomes active		5 ^[1]	-	6 ^[1]	sys_clk
$t_{wt(en)}$	time H_WAIT inactive until CS becomes inactive		10	-	-	ns

[1] When the SAA7893HL SAD16 interface is programmed to generate always a H_WAIT signal, the minimum time will be 2 sys_clk cycles and the maximum time will be 3 sys_clk cycles.

8.2.4 Read mode: cycles extended using wait protocol

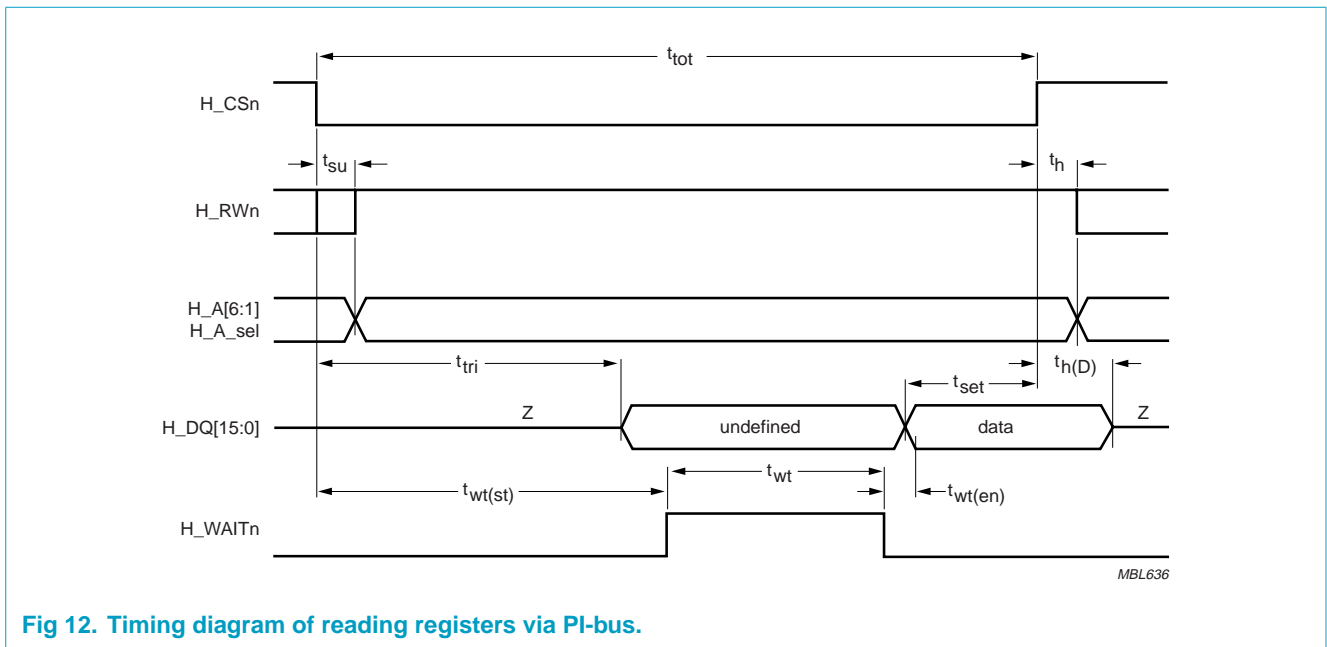


Fig 12. Timing diagram of reading registers via PI-bus.

Table 11: Timing numbers of reading registers via PI-bus

Symbol	Parameter	Conditions	Min	Typ	Max	Unit
t_{tot}	total CSn time		14 ^[1]	-	-	sys_clk
t_{su}	set-up time from CS to host control/address lines		0	-	30	ns
t_h	hold time from CS to host control/address lines		0	-	-	ns
t_{wt}	active time of H_WAIT when Pi registers are accessed	speed is dependent on load on PI-bus	3	8	11	sys_clk
t_{wt}	active time of H_WAIT when external SDRAM is accessed	speed is dependent on load on PI-bus	3	11	17	sys_clk
$t_{wt(st)}$	time from CS until wait becomes active		5 ^[2]	-	6 ^[2]	sys_clk

Table 11: Timing numbers of reading registers via PI-bus...continued

Symbol	Parameter	Conditions	Min	Typ	Max	Unit
$t_{wt(en)}$	time from H_WAIT negative slope to data set-up		-	-	0	ns
t_{tri}	time that data bus is set from 3-state to output		1	-	3	sys_clk
t_{set}	time that data is valid before CS is set to logic 1		30	-	-	ns
$t_{h(D)}$	hold time from CS to H_data bus		0	-	-	ns

- [1] When the SAA7893HL SAD16 interface is programmed to generate always a H_WAIT signal of at least 7 sys_clk cycles, then it is no longer required that the minimum time of t_{tot} is 14 sys_clk cycles. The data at the H_DQ output is always available at the negative edge of the H_WAIT signal. The host can deactivate the H_CS signal after the negative edge of the H_WAIT signal and when it has read the data at the H_DQ lines. When a H_WAIT signal is always generated then the timing diagrams in Figure 9 and Figure 10 are no longer applicable.
- [2] When the SAA7893HL SAD16 interface is programmed to generate always a H_WAIT signal, the minimum time will be 2 sys_clk cycles and the maximum time will be 3 sys_clk cycles.

8.2.5 Host interface connection

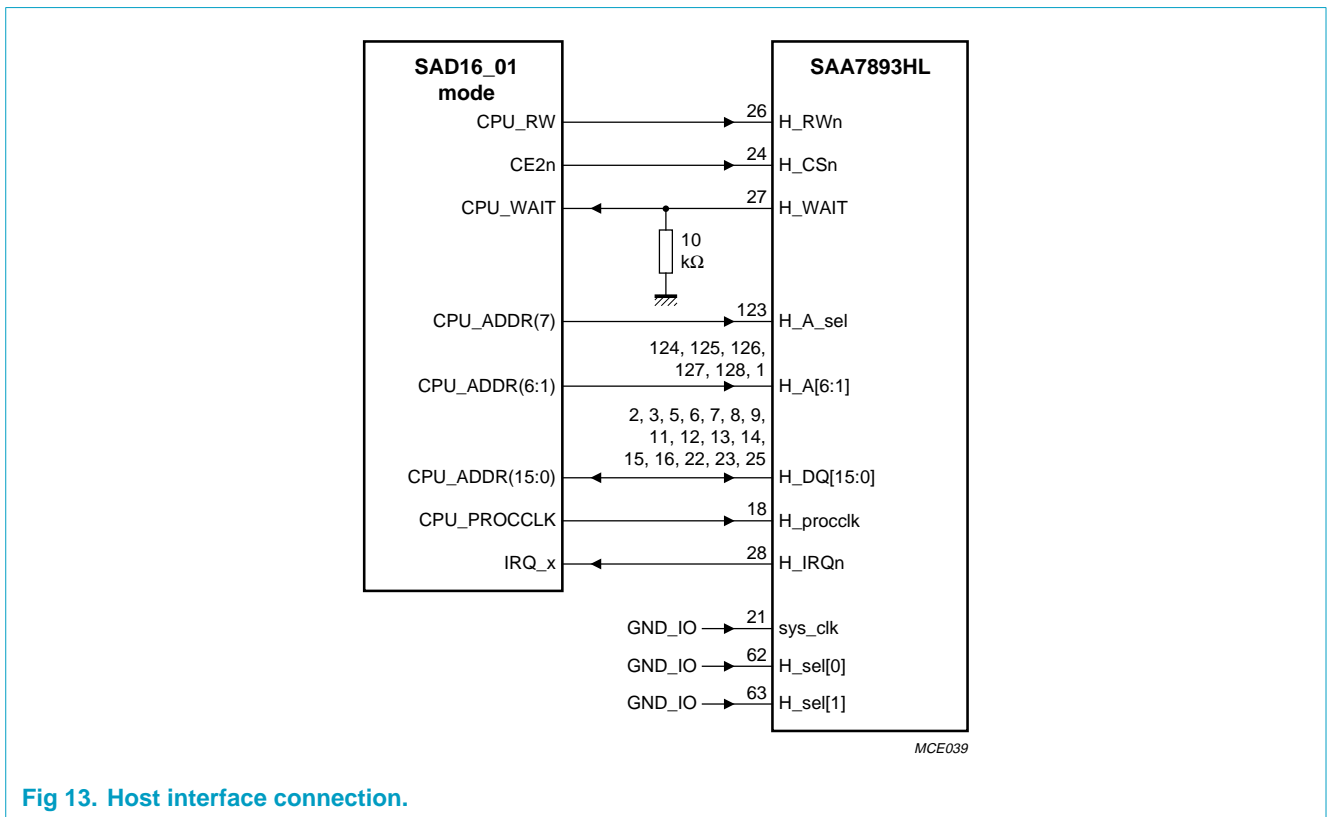


Fig 13. Host interface connection.

8.3 SAD16_03 mode

To save physical pins on the SAA7893HL, the data bus is used to write the 16 MSB address bits, hereafter called ‘the base address’, into the SAA7893HL. Therefore, to access an address inside the SAA7893HL first this 16 MSB bits of the address must be written as a base address for the SAA7893HL indicated by the H_A_sel line. Pin H_A_sel can be mapped to a physical address pin of the host device.

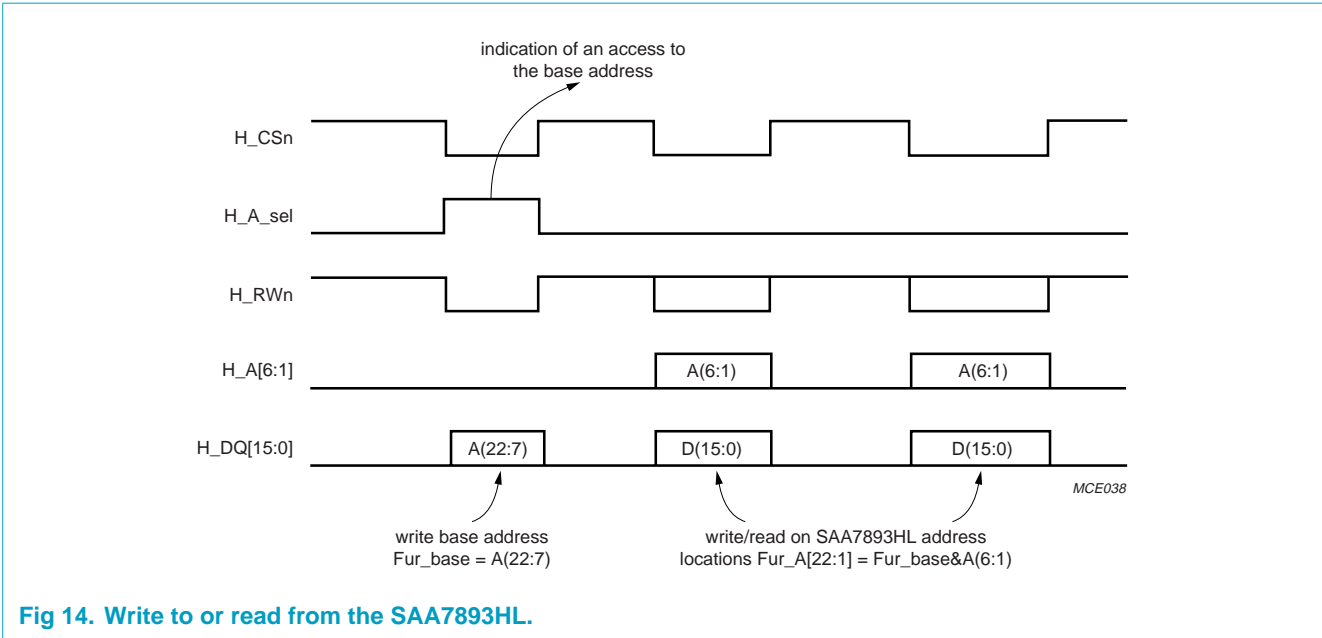


Fig 14. Write to or read from the SAA7893HL.

In **Figure 14** the principle of first writing the base address indicated by H_A_sel is here visualized. Pin H_A_sel is mapped on address pin H_A[7] of the host. The timing is of course not to scale. When the base address is written, multiple accesses can be done whereby the different LSB addresses are mapped on pins H_A[6:1]. In this way a burst of 64 Hwords can be read or written to the same address. The 16 bits base address can be read when H_A_sel is logic 1 and the signal H_RWn indicates a read operation. In SAD16_03 mode there is in principle no handshake available. Therefore, to read data a double read must be done.

8.3.1 Read mode

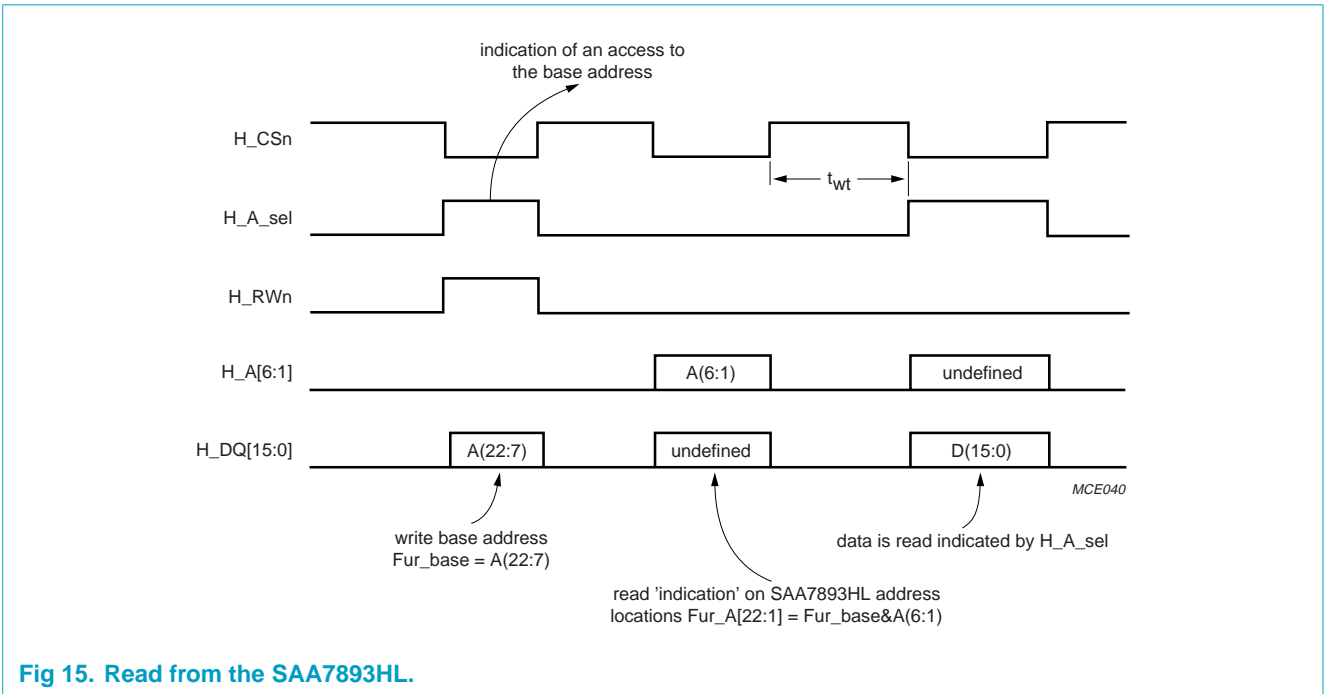


Fig 15. Read from the SAA7893HL.

First the 16 bits of the base address are set indicated by the H_A_sel line. Then a read access is started. In SAD16_03 mode there is no handshake line on which the SAA7893HL can indicate that internal read operation is ready. Therefore, to be sure that the requested data is read correctly, an extra read is needed indicated by the H_A_sel line. In this read the data is presented as read by the previous read access. The maximum time that the host must wait before this extra read is started is approximately 30 sys_clk cycles. If in this time a new access is activated this access can be lost.

8.3.2 Write mode

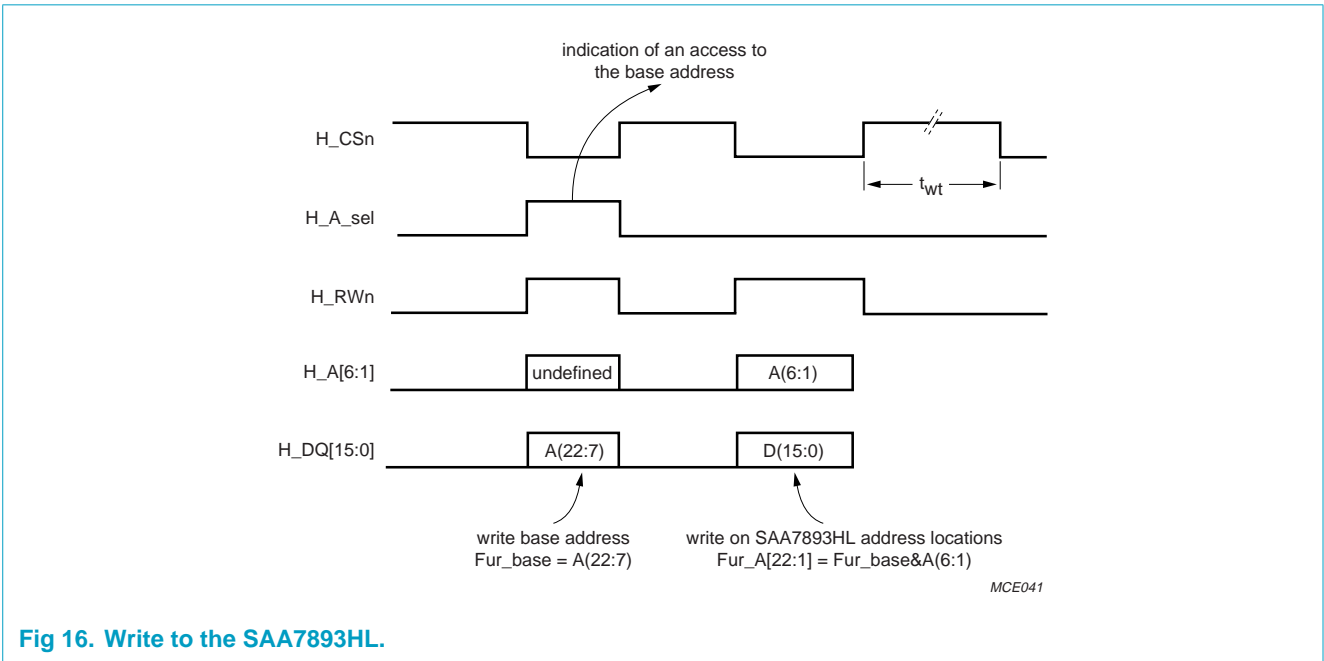


Fig 16. Write to the SAA7893HL.

When a write operation is issued the same wait time t_{wt} must be taken into account before a next access may start, but here no double write has to be done.

8.3.3 Writing of base address

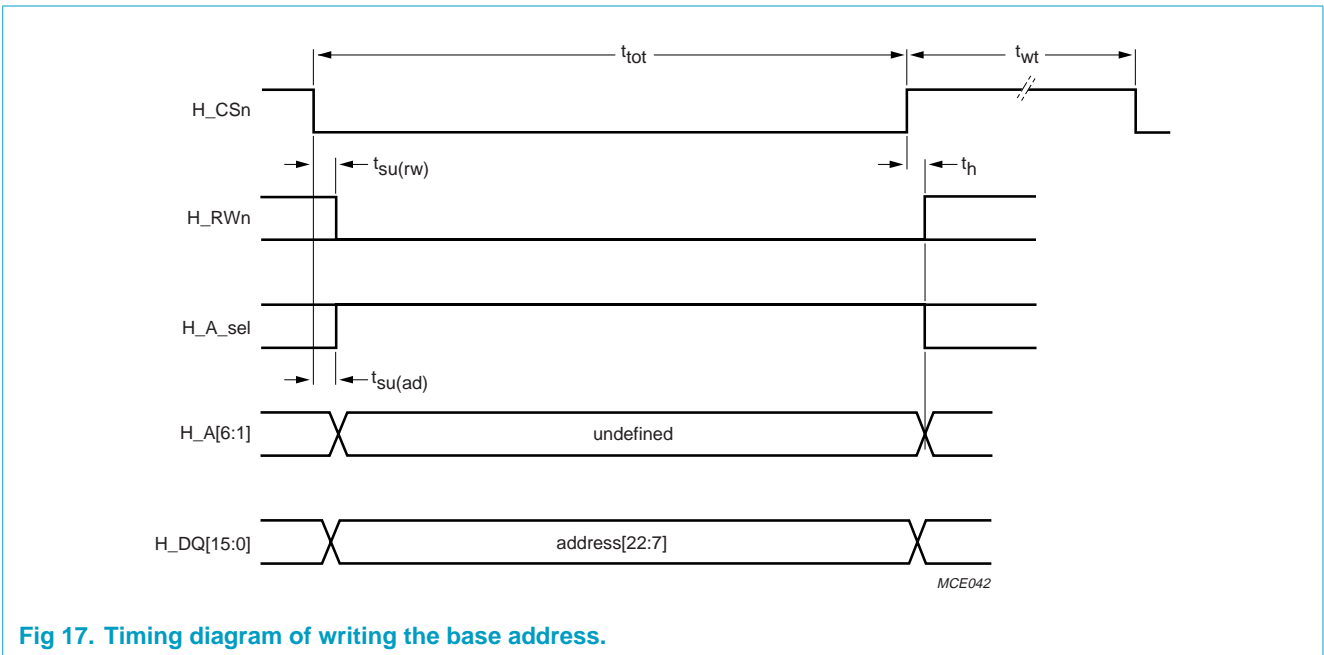


Fig 17. Timing diagram of writing the base address.

Table 12: Timing numbers of base address writing

Symbol	Parameter	Conditions	Min	Max	Unit
t_{tot}	total LOW time of H_CS _n		270	-	ns
t_{wt}	wait time before next cycle may start	if in this time a new cycle is started, the new access cycle could be neglected	100	-	ns
$t_{su(rw)}$	set-up time of H_RW _n		-	0	ns
$t_{su(ad)}$	set-up time for address		-	10	ns

8.3.4 Writing data to the SAA7893HL

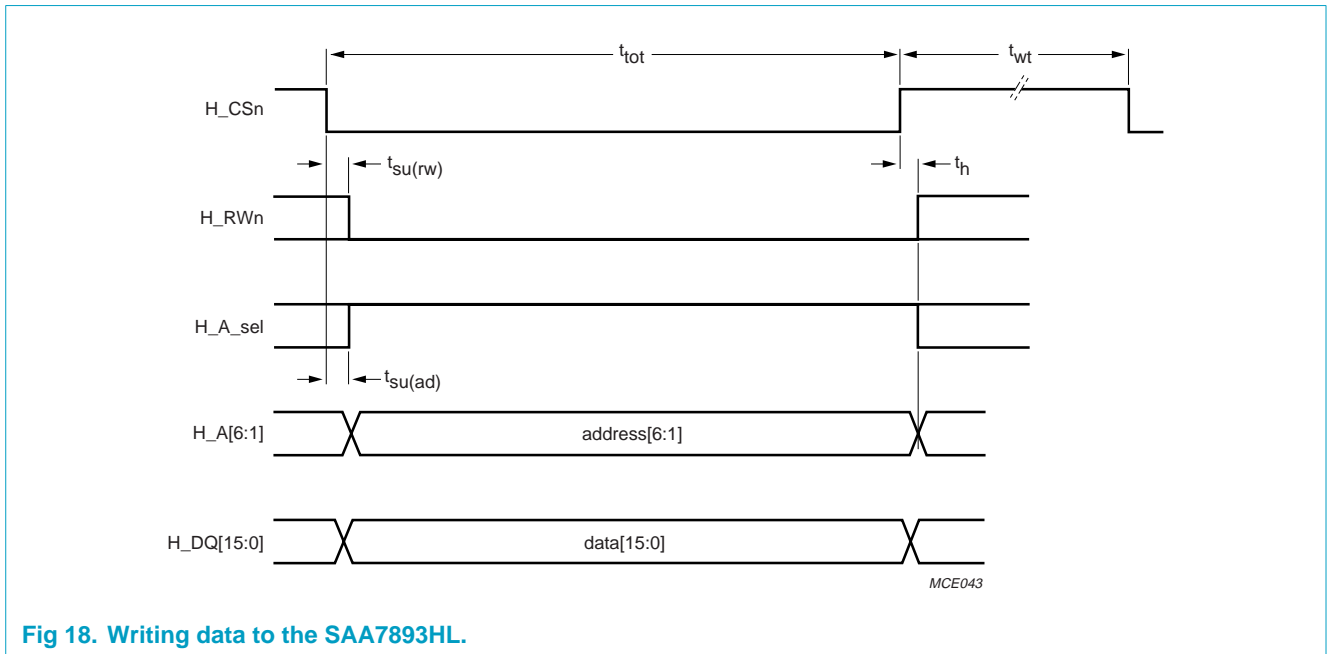


Fig 18. Writing data to the SAA7893HL.

Table 13: Timing numbers of writing data

Symbol	Parameter	Conditions	Min	Max	Unit
t_{tot}	total LOW time of H_CS _n		270	-	ns
t_{wt}	wait time before next cycle may start	if in this time a new cycle is started, the new access cycle could be neglected	700	-	ns
$t_{su(rw)}$	set-up time of H_RW _n		-	0	ns
$t_{su(ad)}$	set-up time for address		-	10	ns
t_h	hold time of H_RW _n /address/data with respect to H_CS _n		0	-	ns

8.3.5 Reading data from the SAA7893HL

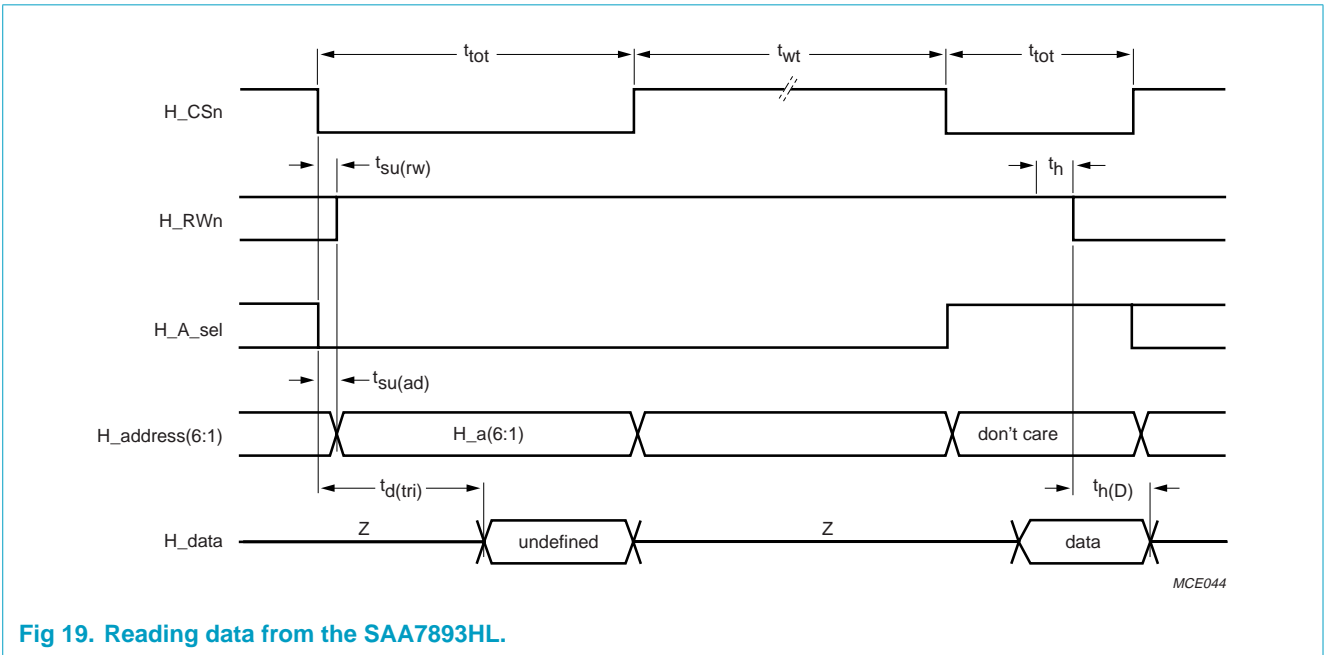


Fig 19. Reading data from the SAA7893HL.

Table 14: Timing numbers of reading data

Symbol	Parameter	Conditions	Min	Max	Unit
t_{tot}	total LOW time of H_CSn		270	-	ns
t_{wt}	wait time before next cycle may start	if in this time a new cycle is started, the new access cycle could be neglected	700	-	ns
$t_{su(rw)}$	set-up time of H_RWn		-	0	ns
$t_{su(ad)}$	set-up time for address		-	10	ns
t_{tri}	time that data bus is enabled	time dependent on system clock	1	3	sys_clk

8.3.6 Host interface connection

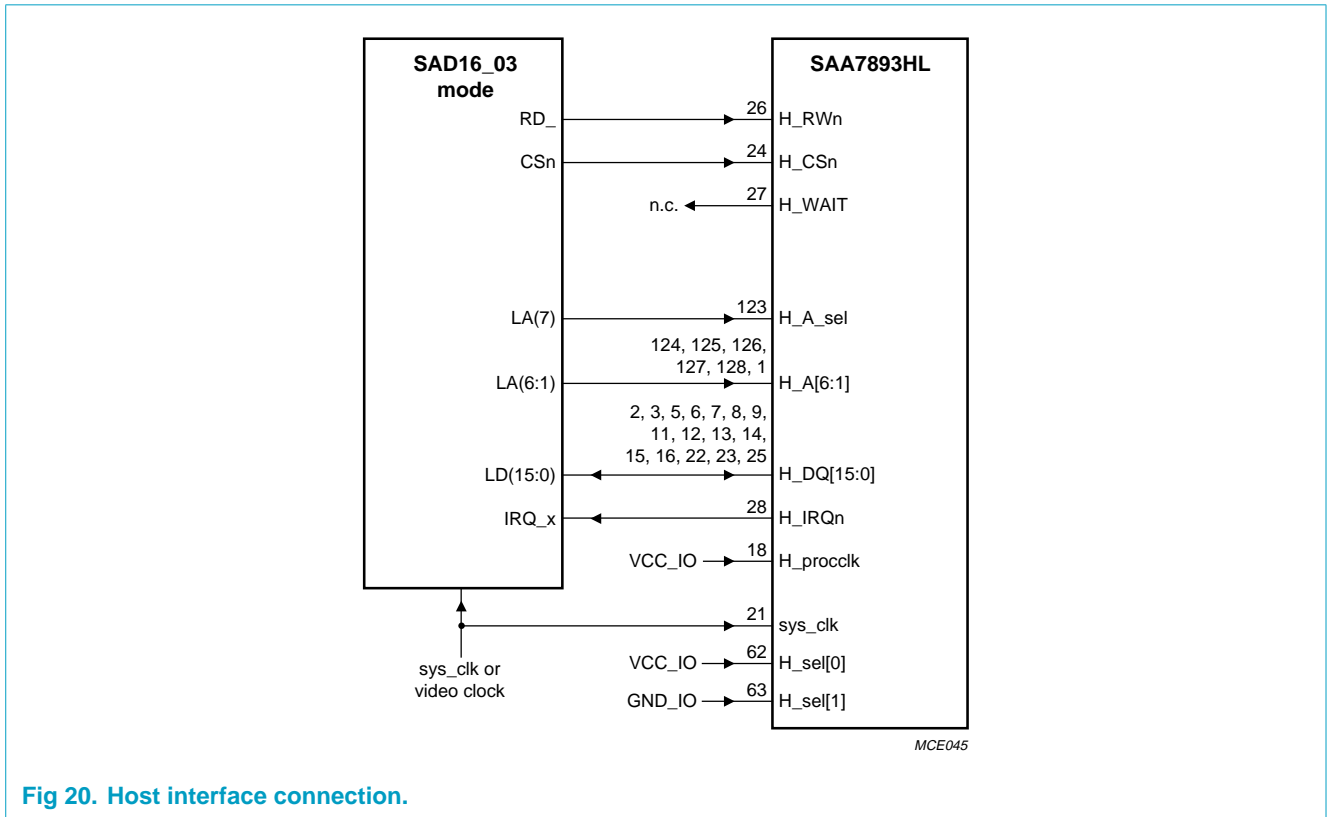


Fig 20. Host interface connection.

8.4 MAD16_01 mode

Data communication is here always done on a 16-bit data bus. The address is mapped on 6 separate address pins and 16 address/data pins of the SAA7893HL. Therefore, in this mode the complete address is transferred directly in each access cycle.

In Table 7 the internal SAA7893HL address is mapped as follows to the SAA7893HL pins: $Fur_H_A[22:1] = H_A[6:5] \& H_DQ[15:0] \& H_A[4:1]$.

This address mapping is the default setting, the following address is also possible: $Fur_H_A[22:1] = H_A[6:1] \& H_DQ[15:0]$.

The system clock provided in the MAD16_01 mode must be synchronized to the host interface timing.

8.4.1 Write mode: minimum cycle

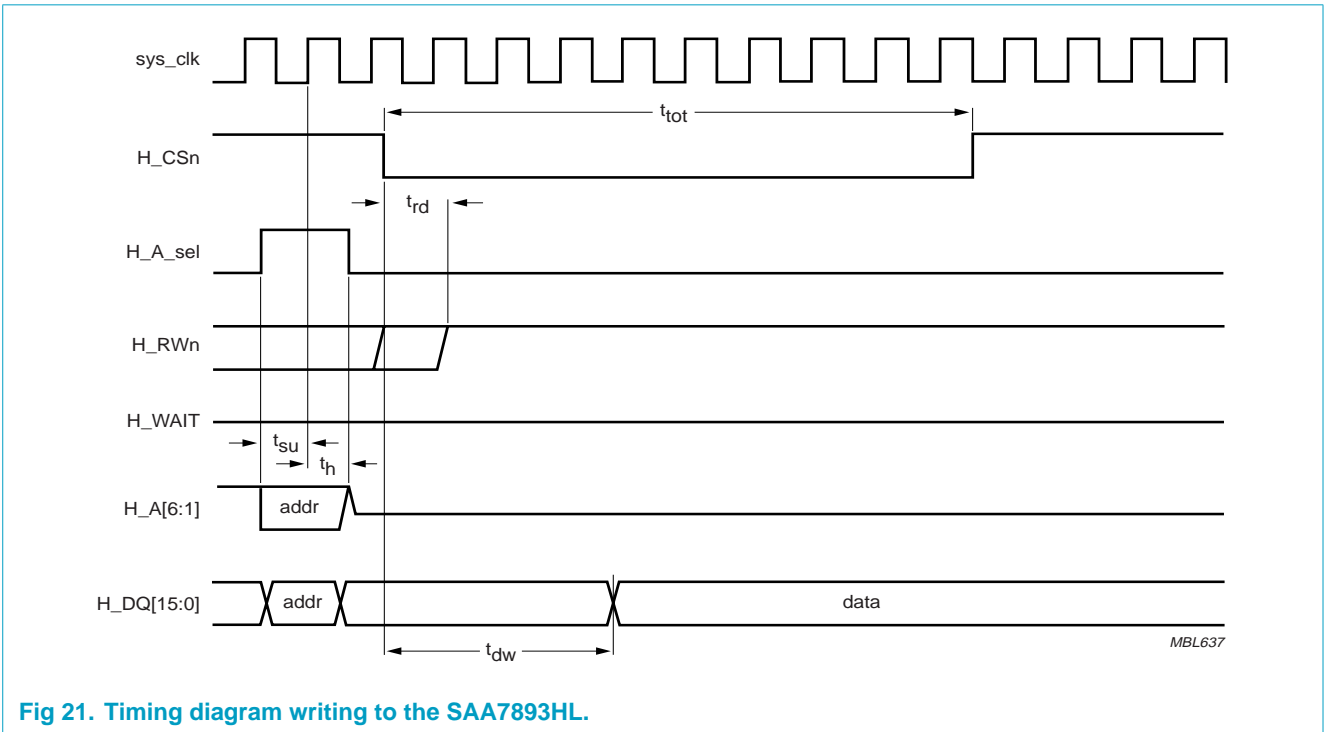


Fig 21. Timing diagram writing to the SAA7893HL.

Table 15: Timing numbers of writing registers

Symbol	Parameter	Min	Max	Unit
t_{tot}	total H_CS _n time	8	-	sys_clk
t_{su}	set-up time H_A_sel	5	-	ns
t_h	hold time of H_A_sel with respect to sys_clk	5	-	ns
t_{rd}	time H_RW _n can change from H_CS _n signal	-	1	sys_clk
$t_{su(D)}$	data set-up time after H_CS _n	0	1	sys_clk

8.4.2 Read mode: minimum cycle

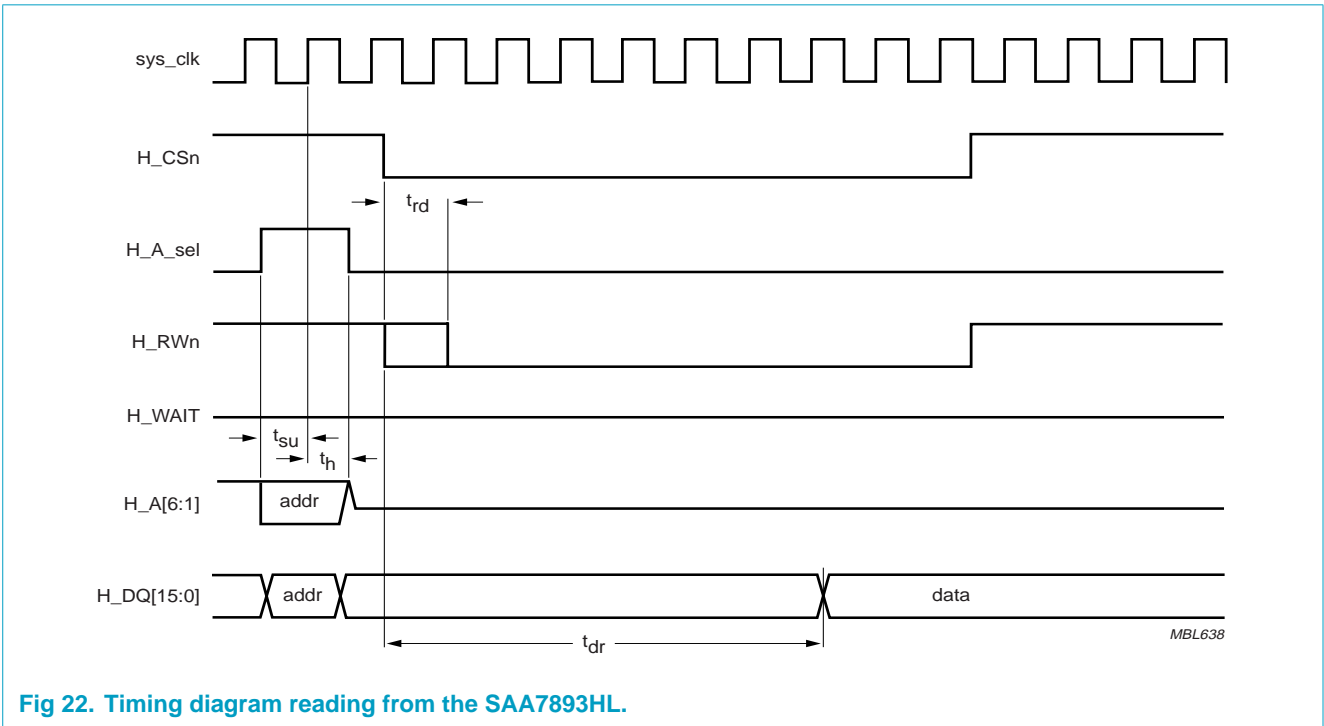


Fig 22. Timing diagram reading from the SAA7893HL.

Table 16: Timing numbers of reading registers

Symbol	Parameter	Conditions	Min	Max	Unit
t _{su}	set-up time H_A_sel		5	-	ns
t _h	hold time of H_A_sel with respect to sys_clk		5	-	ns
t _{rd}	time H_RW _n can change from H_CS _n signal		-	1	sys_clk
t _{dr}	data set-up time after CS _n	time dependent on system clock used	6	8	sys_clk
t _{dc}	data hold time before CS _n	not important data is sample after detecting H_CS _n = logic 0	-	-	ns

8.4.3 Write mode: cycles extended using wait protocol

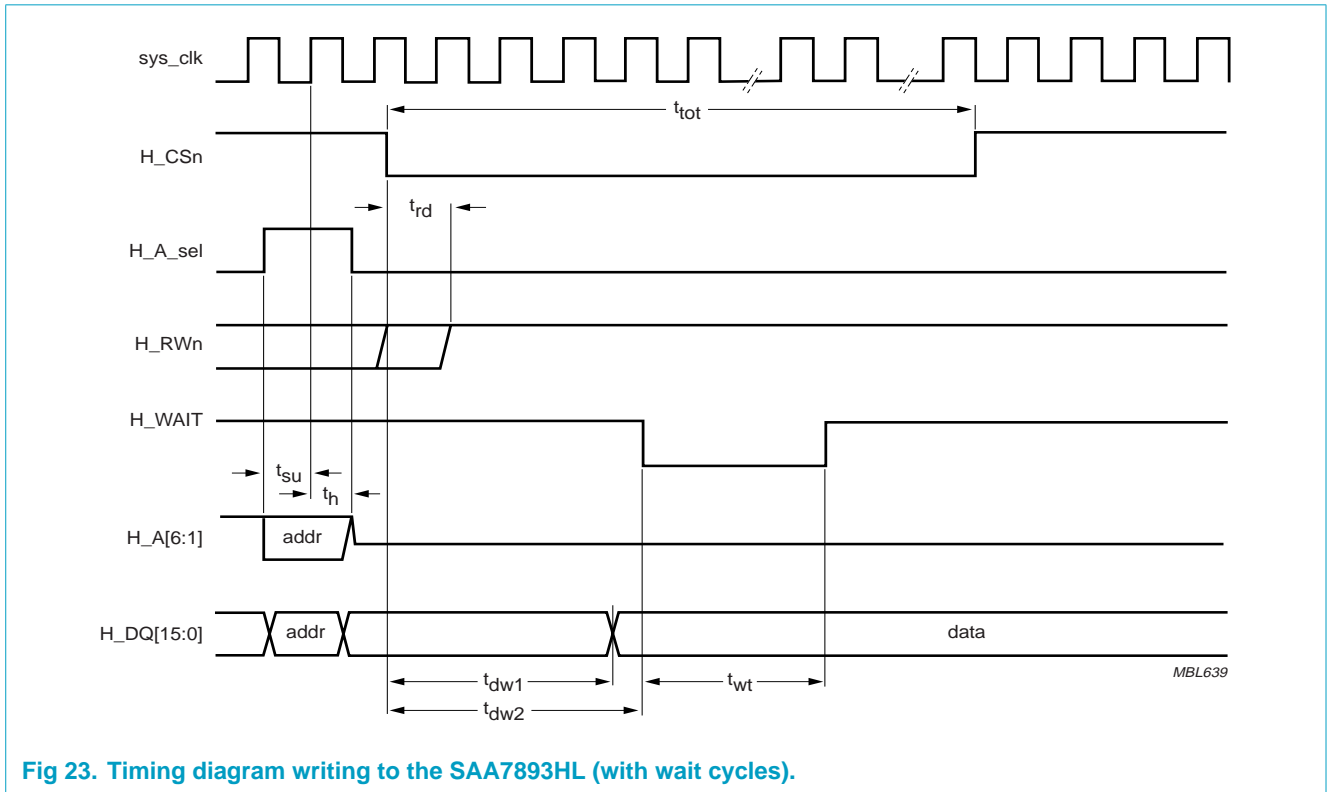


Fig 23. Timing diagram writing to the SAA7893HL (with wait cycles).

Table 17: Timing numbers of writing registers (with wait cycles)

Symbol	Parameter	Conditions	Min	Max	Unit
t_{tot}	total H_CS _n time		8	-	sys_clk
t_{su}	set-up time H_A_sel		5	-	ns
t_h	hold time of H_A_sel with respect to sys_clk		5	-	ns
t_{rd}	time H_RW _n can change from H_CS _n signal		-	1	sys_clk
t_{dw1}	data set-up time after H_CS _n	time dependent on system clock used	1	3	sys_clk
t_{dw2}	time H_WAIT is activated after H_CS _n is activated	dependent on SAA7893HL settings	2	6	sys_clk
t_{wt}	total time wait can be active		2	24	sys_clk

8.4.4 Read mode: cycles extended using wait protocol

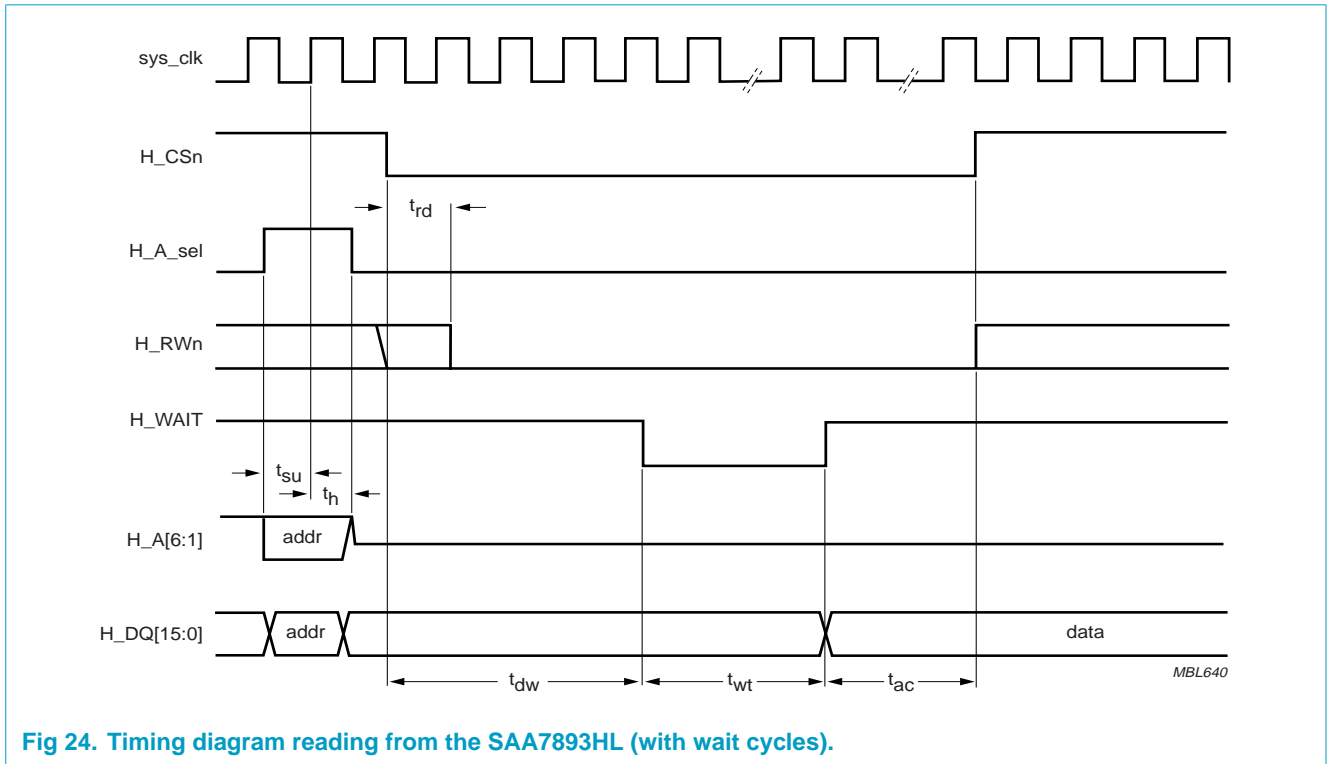


Fig 24. Timing diagram reading from the SAA7893HL (with wait cycles).

Table 18: Timing numbers of reading registers (with wait cycles)

Symbol	Parameter	Min	Max	Unit
t_{tot}	total H_CS_n time	8	-	sys_clk
t_{su}	set-up time H_A_sel	5	-	ns
t_h	hold time of H_A_sel with respect to sys_clk	5	-	ns
t_{rd}	time H_RW_n can change from H_CS_n signal	-	1	sys_clk
t_{dw}	time H_WAIT is activated after H_CS_n is activated	2	5	sys_clk
t_{wt}	total time wait can be active	2	24	sys_clk
t_{ac}	data active until H_CS_n is deactivated	1	-	sys_clk

8.4.5 Host interface connection

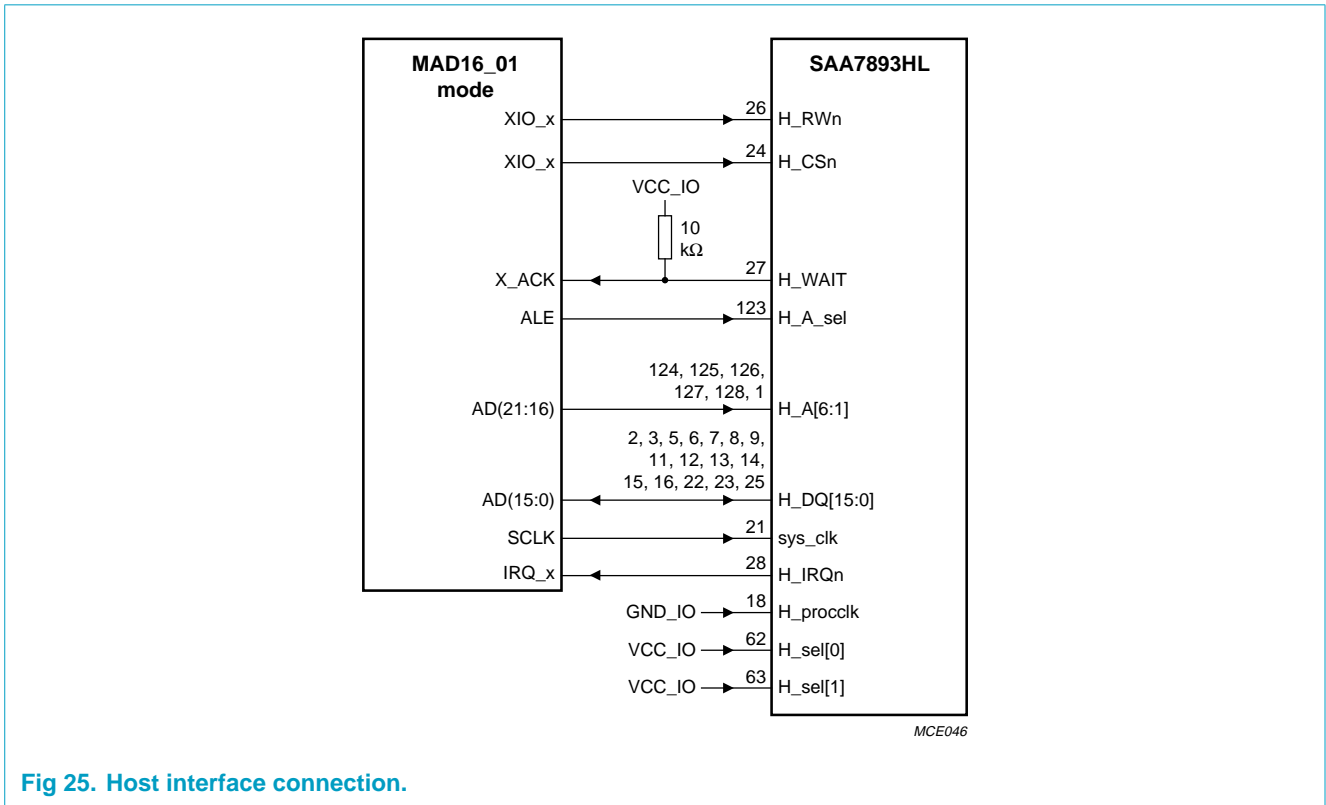


Fig 25. Host interface connection.

8.5 MAD16_02 mode

In the MAD16_02 mode there is a 16-bit combined address/data bus and a dedicated 3-bit address bus.

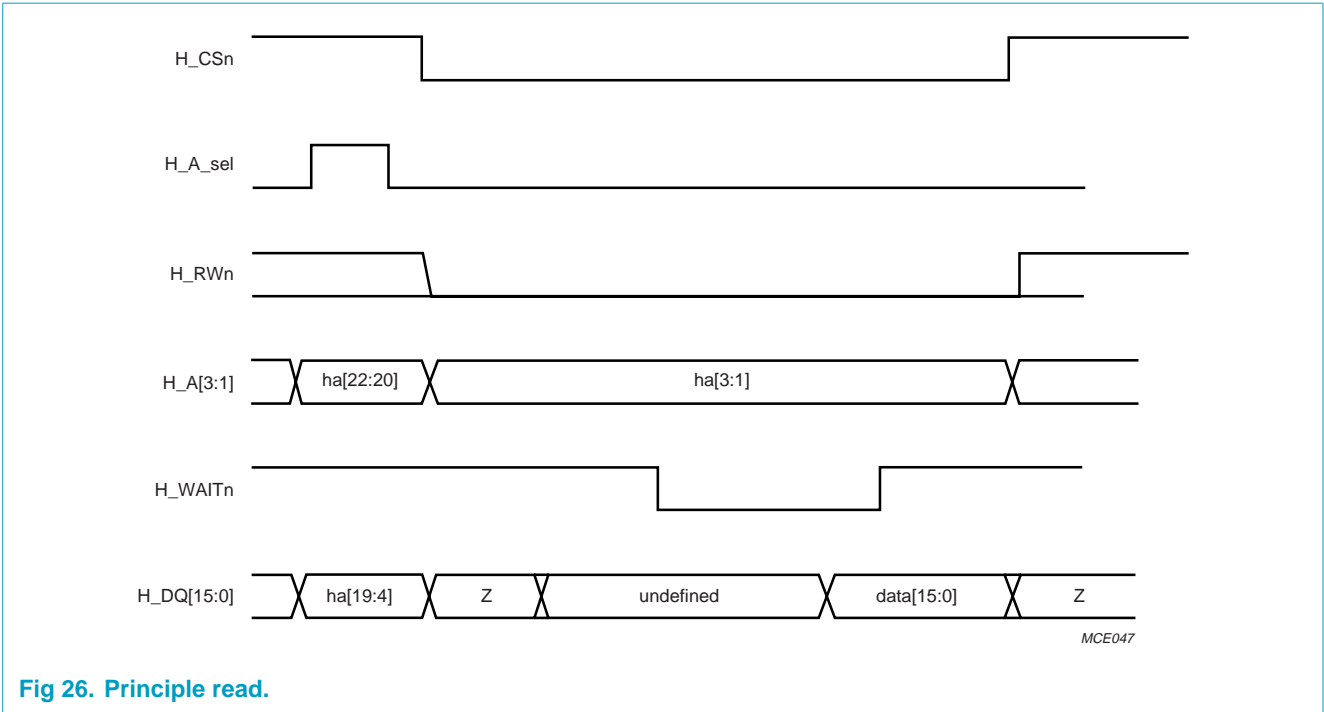


Fig 26. Principle read.

The multiplexing of the address/data pins is done as a regular host communication, meaning that during a read or write the host must automatically generate the timing according to Figure 26. It is not needed that the provided system clock is a synchronous clock with respect to the H_A_sel line.

8.5.1 Write mode

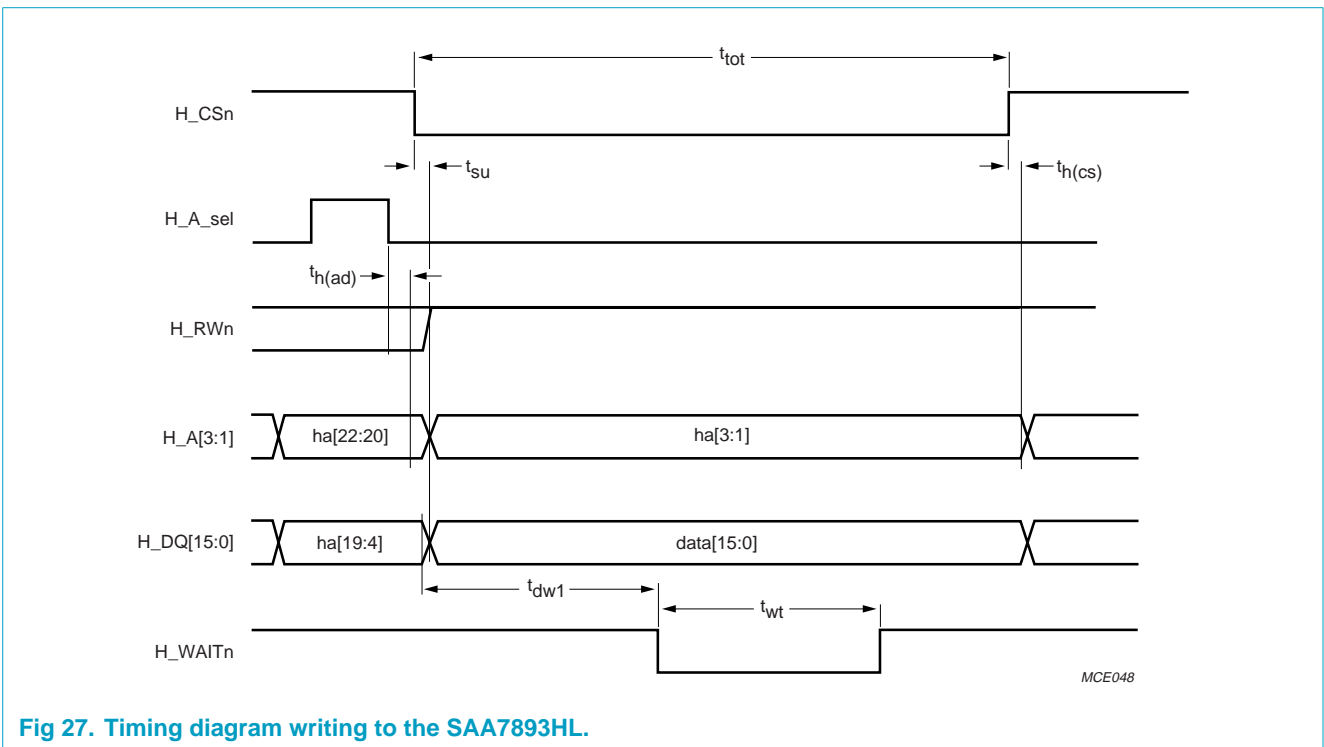


Fig 27. Timing diagram writing to the SAA7893HL.

Table 19: Timing numbers of MAD16_02 write

Symbol	Parameter	Min	Max	Unit
t_{tot}	total LOW time of H_CS _n	300 + t_{wt}	-	ns
t_h	hold time of address/data with respect to H_A_sel	10	-	ns
t_{dw1}	wait time until H_WAIT is activated	2	5	sys_clk
t_{wt}	time of H_WAIT signal	2	24	sys_clk
t_{su}	set-up time of H_RW _n /address with respect to H_CS _n	-	10	ns

8.5.2 Read mode

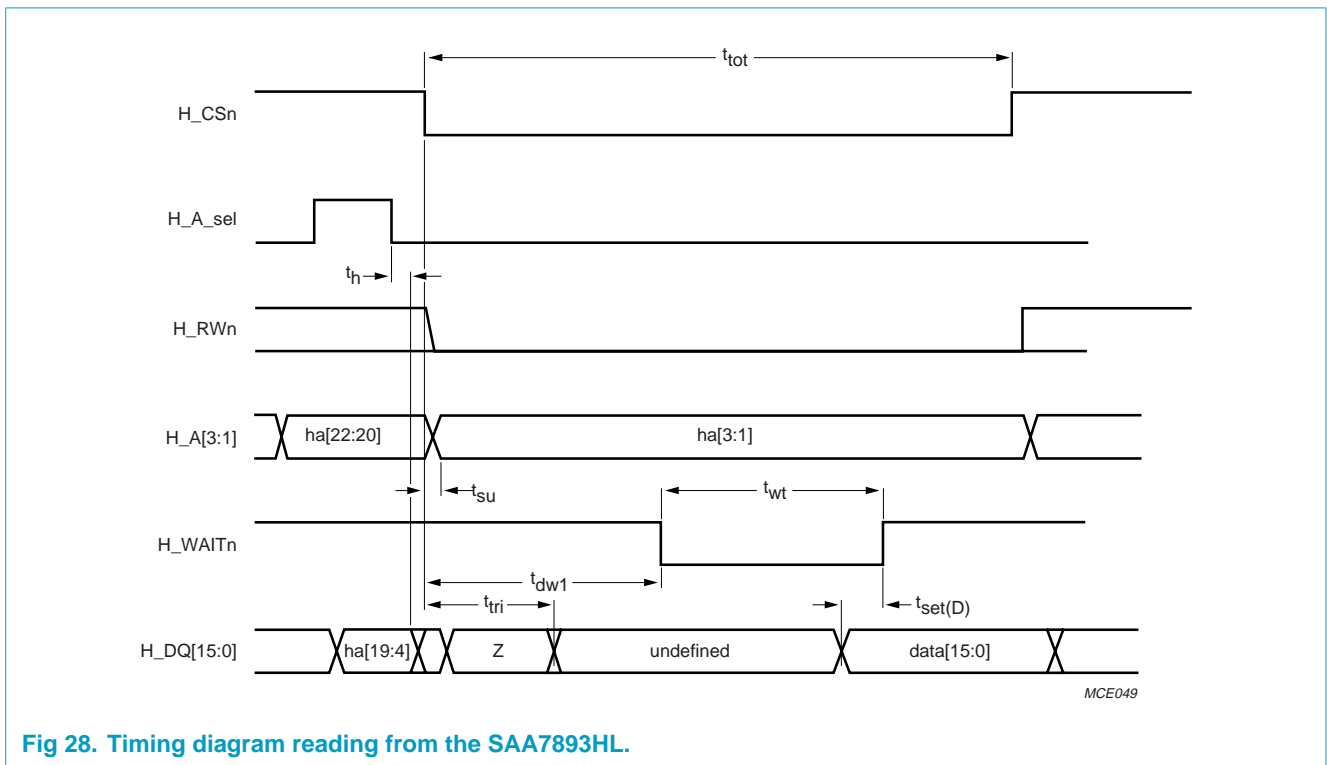


Fig 28. Timing diagram reading from the SAA7893HL.

Table 20: Timing numbers of MAD16_02 read

Symbol	Parameter	Min	Typ	Max	Unit
t_{tot}	total H_CS _n time	8 + t_{wt}	-	-	ns
t_{su}	set-up time of address/data/H_RW _n with respect to H_CS _n	-	-	0	ns
t_h	hold time of address with respect to H_A_sel falling edge	10	-	-	ns
t_{dw1}	time H_WAIT is activated after H_CS _n is activated	-	-	4	sys_clk

Table 20: Timing numbers of MAD16_02 read...continued

Symbol	Parameter	Min	Typ	Max	Unit
t _{tri}	time data bus becomes active after H_CS _n	-	2	-	sys_clk
t _{set(D)}	time data available with respect to H_WAIT signal	15	-	-	ns
t _{wt}	time H_WAIT can be active	2	-	24	sys_clk

8.5.3 Host interface connection

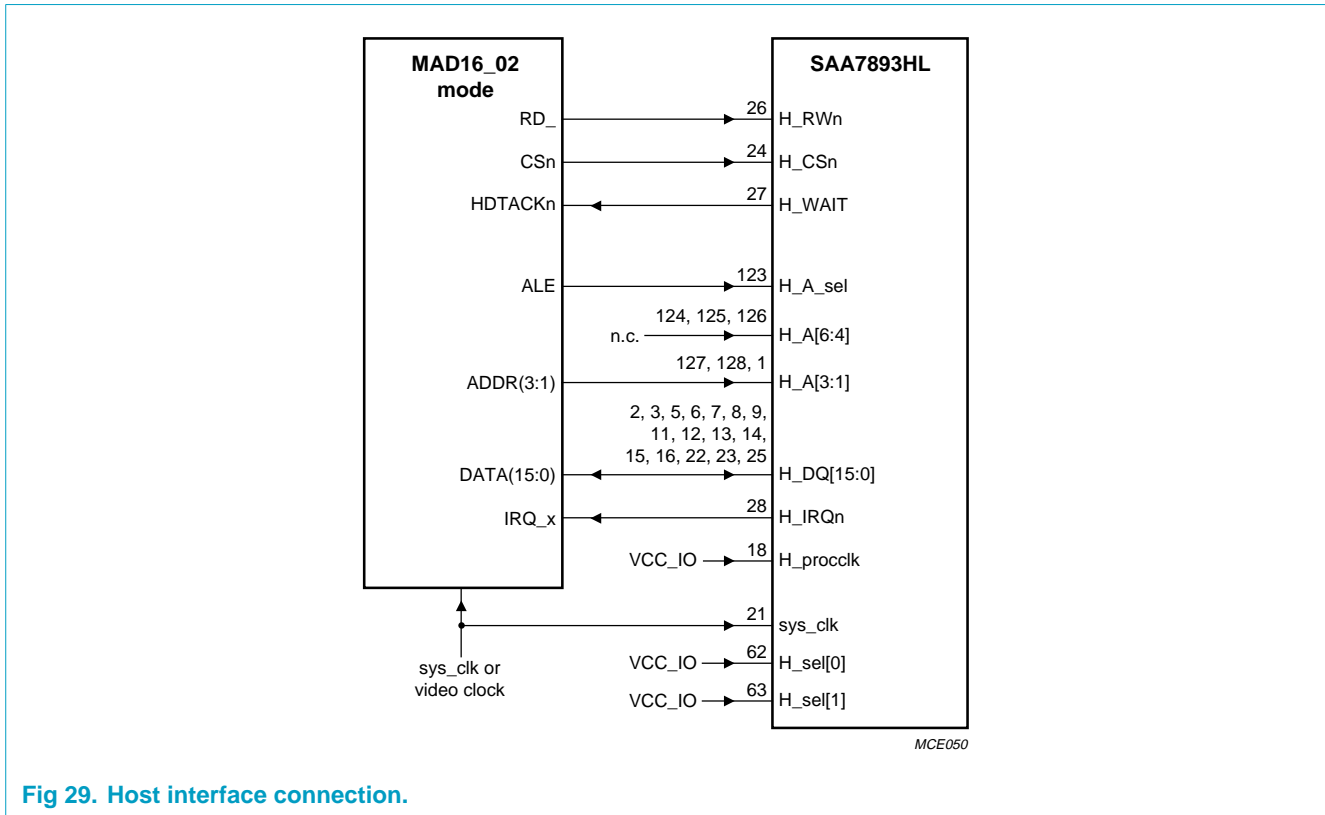


Fig 29. Host interface connection.

8.6 SAD08 mode

Here the reading and writing is always done on 8-bit. From pin mapping it can be seen that the byte indication is done via bit A(0) which is mapped on H_DQ(15) of the SAA7893HL. The internal SAA7893HL communication stays on 16-bit. Therefore, the host interface block ‘translates’ the 8 bits external communication to the 16 bits internal. To save physical pins on the SAA7893HL device, the data bus and 4 address bits are used to write the 12 MSB address bits, hereafter called ‘the base address’, into the SAA7893HL device. Therefore, to access an address inside the SAA7893HL first this 12 MSB bits of the address must be written as a base address for the SAA7893HL indicated by the H_A_sel line. Pin H_A_sel can be mapped to a physical address pin of the host.

8.6.1 Writing base address

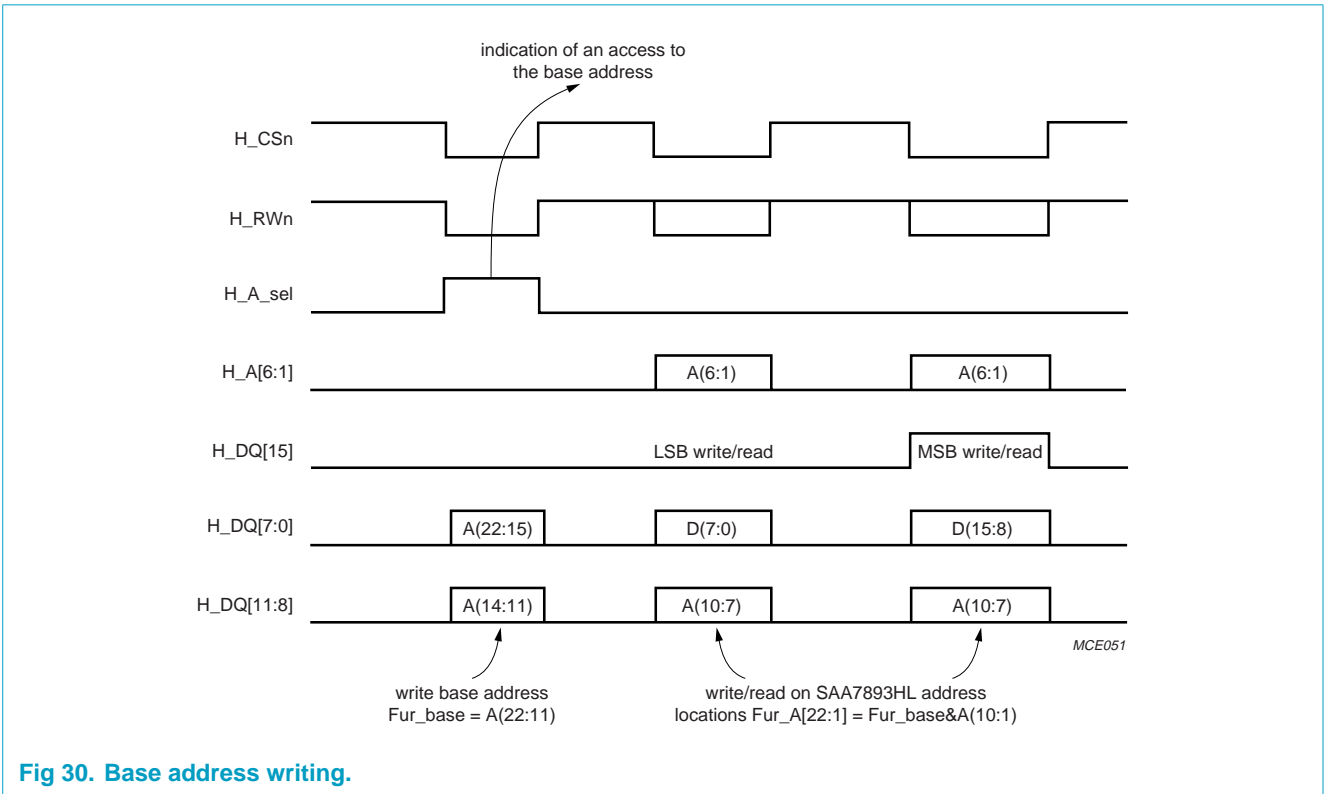


Fig 30. Base address writing.

In **Figure 30** the writing of the base address and a Hword to the host is given in SAD08 mode. First, the 12 bits base address is written indicated by H_A_sel line. The SAA7893HL samples the base address on H_DQ(7:0) and H_DQ(11:8). After that the normal write operation is performed as explained in **Section 8.6.2**.

8.6.2 Writing to the SAA7893HL

A write to address N of 16 bits to the SAA7893HL will be translated to two byte accesses. First the LSB byte is written to address N [so A(0) = logic 0] and stored in cache. Then the MSB byte is written to address N+1 [so A(0) = logic 1]. When the SAA7893HL receives a write command at an odd address [A(0) = logic 1] always 16 bits are internally written whereby the Hword is composed of LSB byte in cache and the MSB byte received at present write command. The SAA7893HL can be set to big and little endian, whereby the described situation is the power-on state. Byte read or write operations are not supported in SAD08 mode.

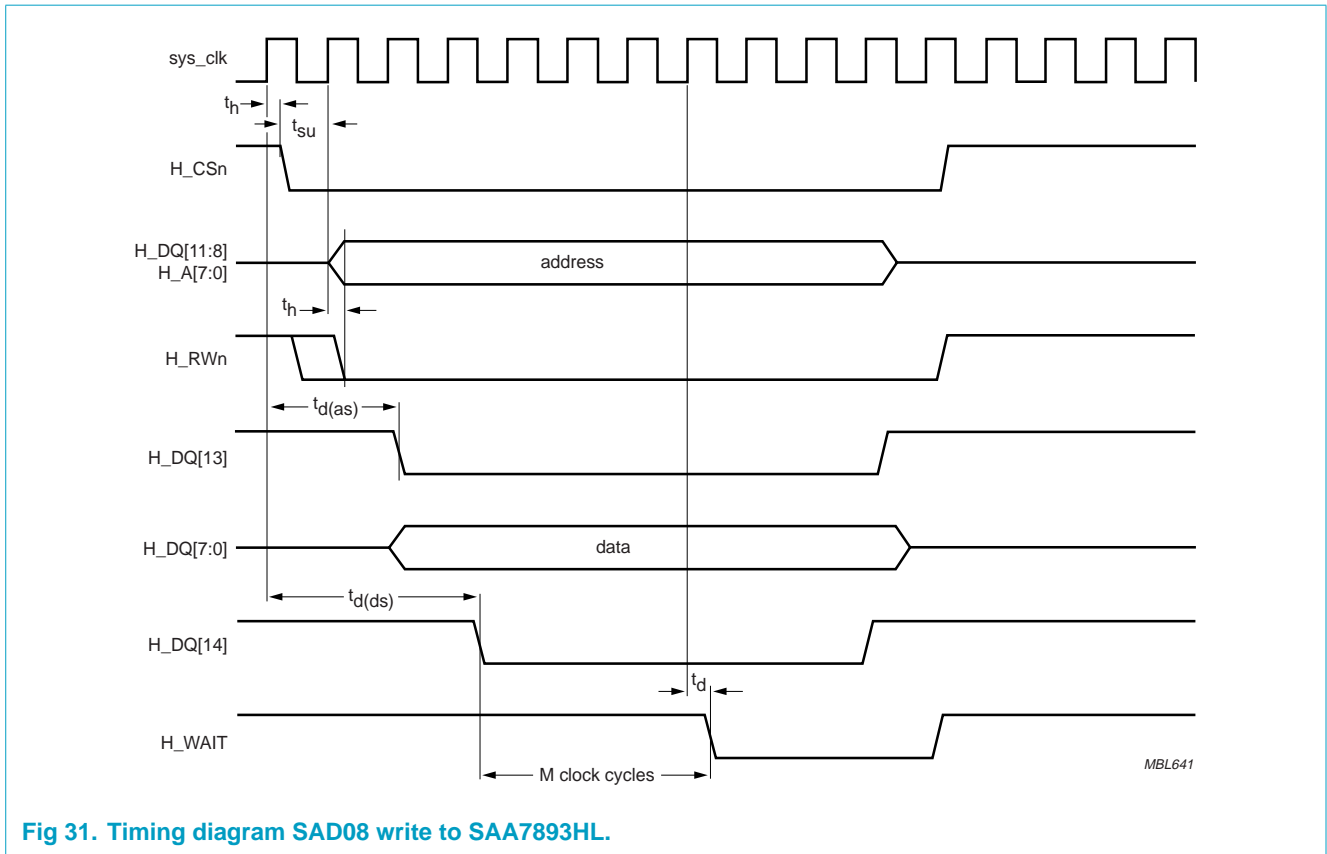


Fig 31. Timing diagram SAD08 write to SAA7893HL.

Table 21: Timing numbers of SAD08 write

Symbol	Parameter	Conditions	Min	Max	Unit
t_{su}	set-up time from H_CS _n , H_RW _n and H_DQ(13) to sys_clk		5	-	ns
t_h	hold time from clk to H_CS _n , H_RW _n and H_DQ(13)		5	-	ns
$t_{d(as)}$	delay from H_CS _n to negative slope of H_DQ(13)		-	1	sys_clk
$t_{d(ds)}$	delay from H_CS _n to negative slope of H_DQ(14) and data		-	2	sys_clk
M	number of clock cycles	dependent on access type and traffic on PI-bus	4	15	sys_clk
t_d	delay from clk to DSACK _n		2	12	ns

8.6.3 Reading from the SAA7893HL

When the LSB is read [A(0) = logic 0], the host interface will read an Hword on the address location A(22:1). The LSB byte is set on the output bus and the read MSB byte is stored internally. When a read action is now started whereby the MSB byte is selected to read [A(0) = logic 1] the stored byte is available on the output independent on the other address bits A(22:1).

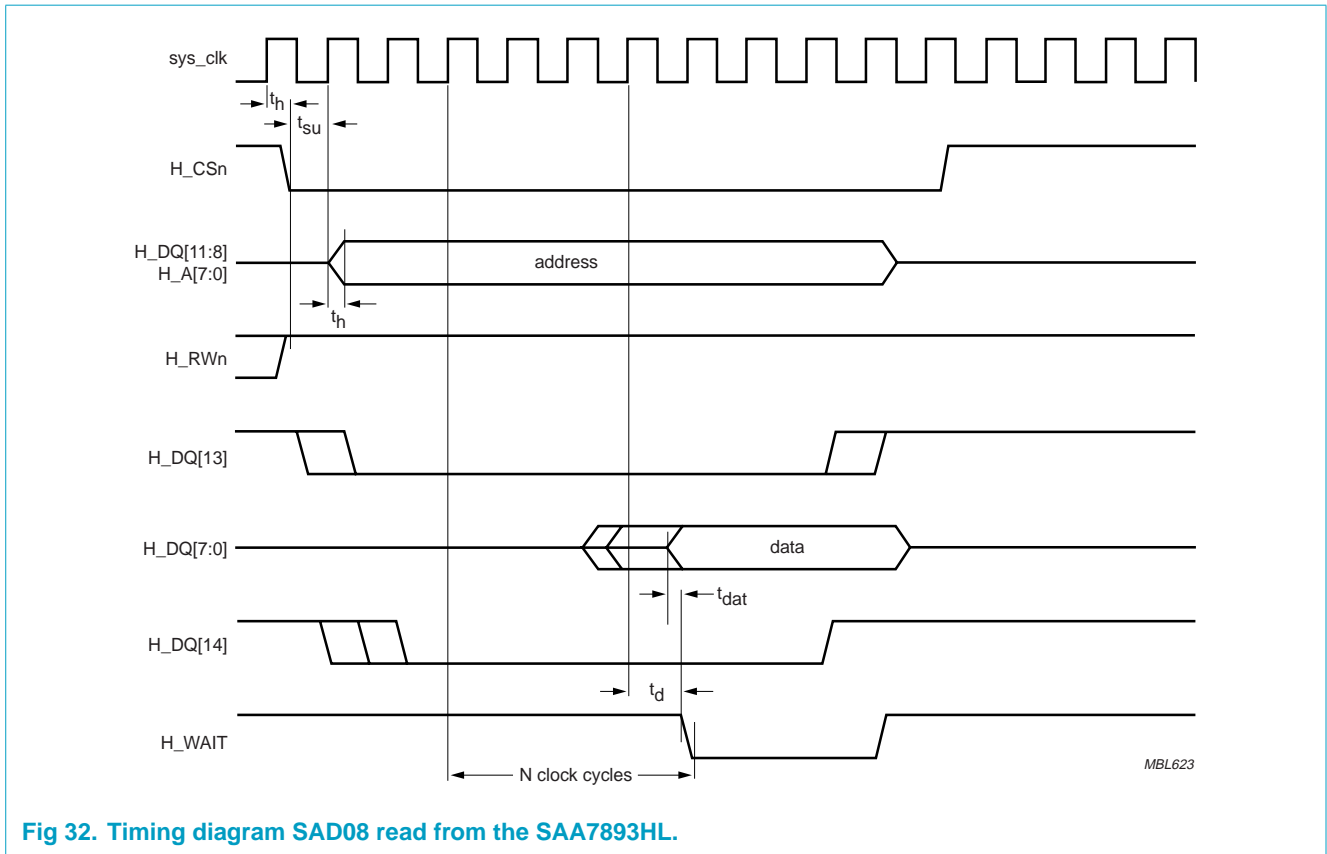


Fig 32. Timing diagram SAD08 read from the SAA7893HL.

Table 22: Timing numbers of SAD08 read

Symbol	Parameter	Conditions	Min	Max	Unit
t_{su}	set-up time from H_CSn, H_RWn and H_DQ[13] to sys_clk		5		ns
t_h	hold time from clk to H_CSn, H_RWn and H_DQ[13]		5		ns
N	number of clock cycles	dependent on access type and traffic on PI-bus.	5	20	sys_clk
t_d	delay from clk to H_WAIT		2	12	ns
t_{dat}	data available before H_WAIT is asserted		-	0	ns

8.6.4 Host interface connection

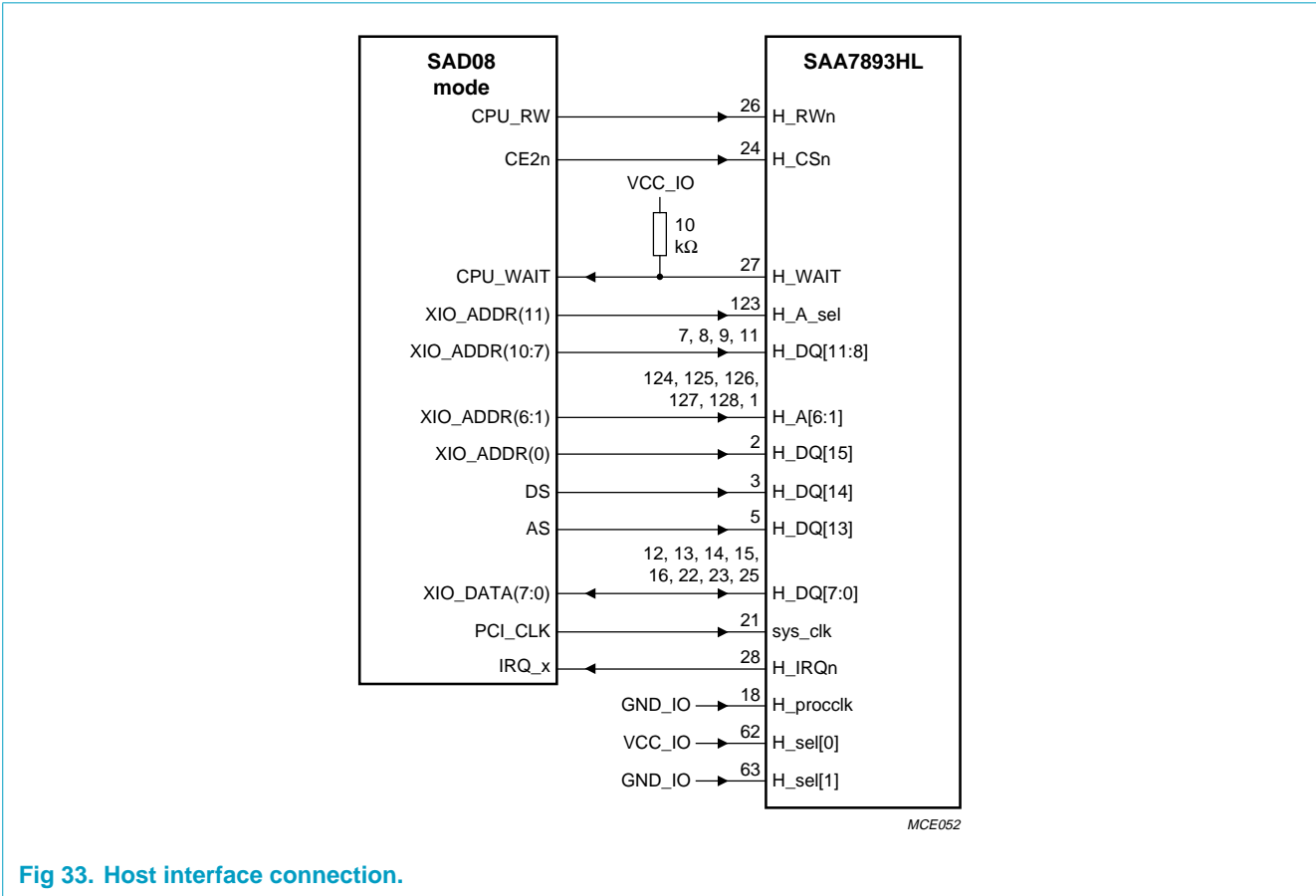


Fig 33. Host interface connection.

8.7 Interrupt

The interrupt output is a LOW level interrupt which must be connected to the interrupt input of the DVD host.

9. Front-end interface

First the SACD sector structure is explained and how to connect the SAA7893HL in the different modes. For these different modes the interface timing figures will be given.

The supported sector format interface is sketched in [Figure 34](#).

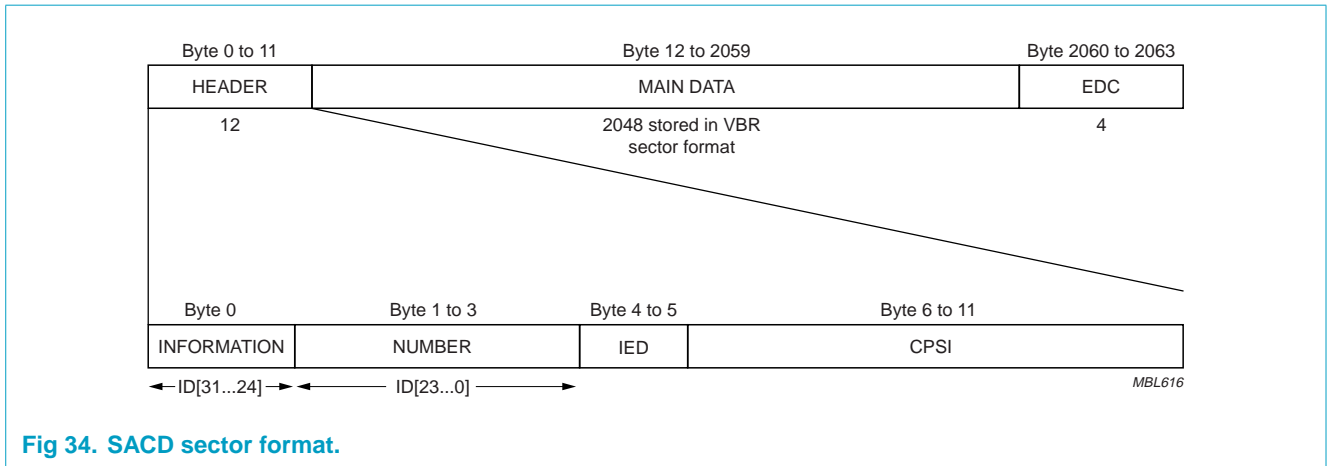


Fig 34. SACD sector format.

The SAA7893HL supports a data input bit rate of maximal 40 Mbits/s.

The connections to the SAA7893HL in the different front-end modes are given in Table 23.

Table 23: Connection of different front-end interfaces

SAA7893HL name	Type	I2S_mode	FEC	Parallel mode
B_FLAG	IN	I2S_err	n.c. ^[1]	SERR
B_SYNC	IN	I2S_sync	OUT_SYNC	SYNC
B_WCLK	IN	I2S_wclk	OUT_DVALID	SENB
B_BCLK	IN	I2S_bclk	OUT_CLK	SDCLK
B_DATA	IN	I2S_data	OUT_DATA0	MPEG(0)
Be_dat(7:1)	IN	n.c. ^[1]	n.c. ^[1]	MPEG(7:1)
UDE_req	IN	n.c. ^[1]	n.c. ^[1]	UDE_req
Data_req	O	n.c.	n.c.	REQ

[1] The n.c. input pins must be connected to V_{CC} or GND.

9.1 I²S-bus interface

9.1.1 Input timing

In Figure 35 the functional input timing is given. Note that B_SYNC, B_FLAG are sampled simultaneously with D11. Since B_FLAG indicates the error in a byte, it is also sampled simultaneously with D3. The sampling moment during D11 for the high byte (D15 to D8), sampling moment D3 for the low byte (D7 to D0).

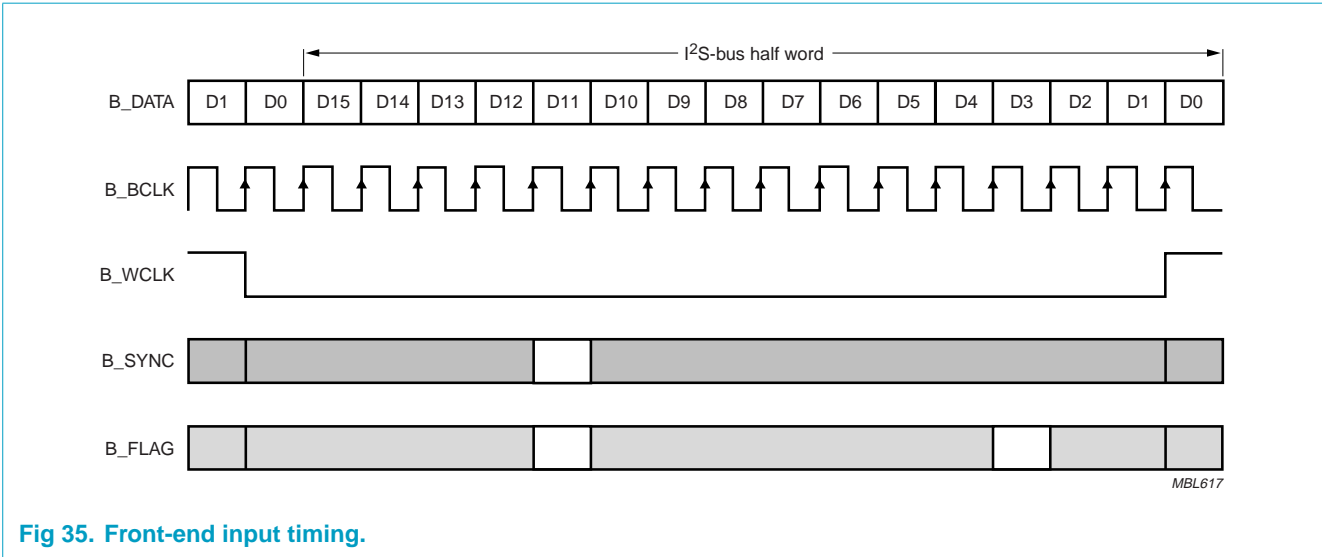


Fig 35. Front-end input timing.

When the B_SYNC signal is set to logic 1 between bit position D15 and D11 the SAA7893HL accepts this word as the start of a sector. The SAA7893HL does not perform EDC checking on the main data, but is dependent on the B_FLAG. A sector is set to erroneous if B_FLAG is set to logic 1.

9.1.2 Interface timing

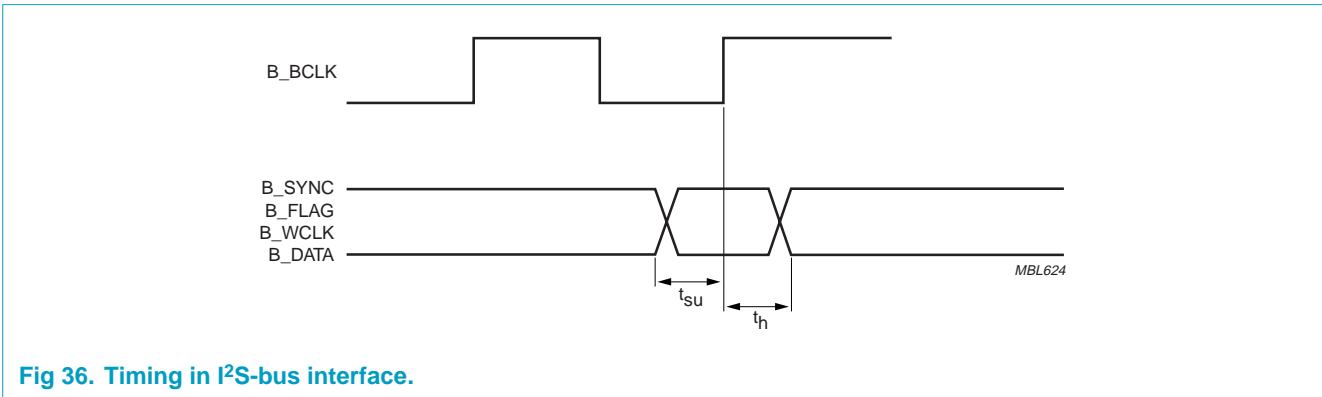
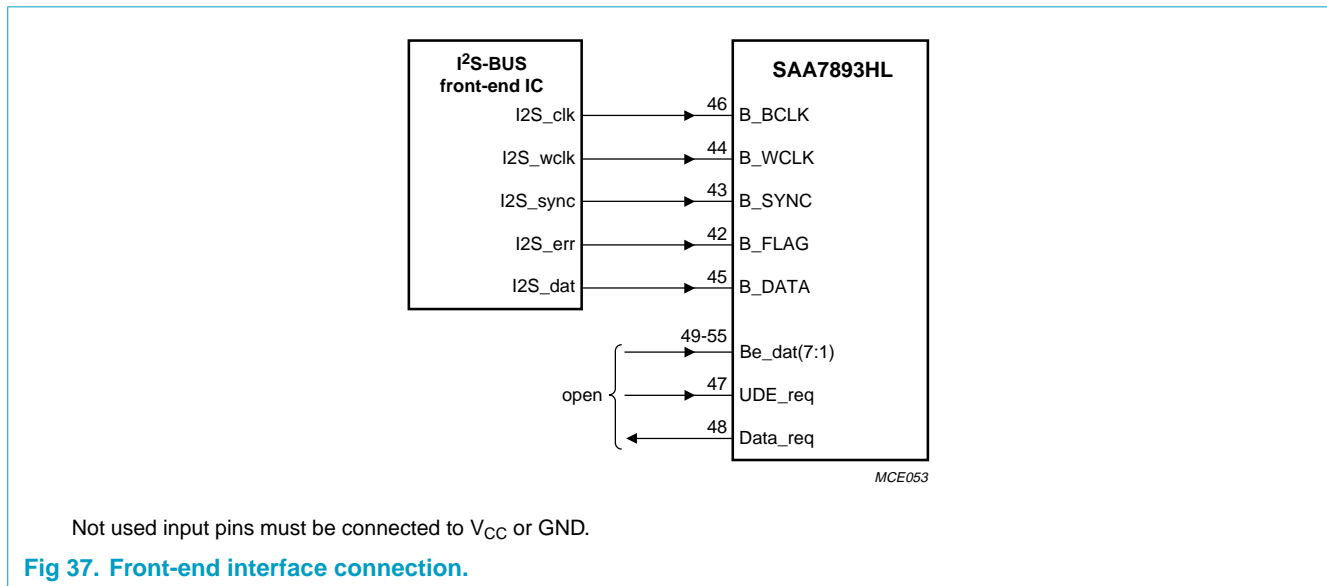


Fig 36. Timing in I²S-bus interface.

Table 24: Timing in I²S-bus interface

Symbol	Parameter	Min	Unit
t _{su}	set-up time to rising edge of the clock	5	ns
t _h	hold time after rising edge of the clock	5	ns

9.1.3 Interface connection



9.2 UDE data interface

In the SA-MP the synchronous parallel mode is supported. There are three types of parallel data transfer modes supported:

- Synchronous mode (see [Section 9.2.1](#))
- Asynchronous mode:
 - Handshake to enable data transfer
 - Handshake for every byte transfer.

9.2.1 Parallel mode

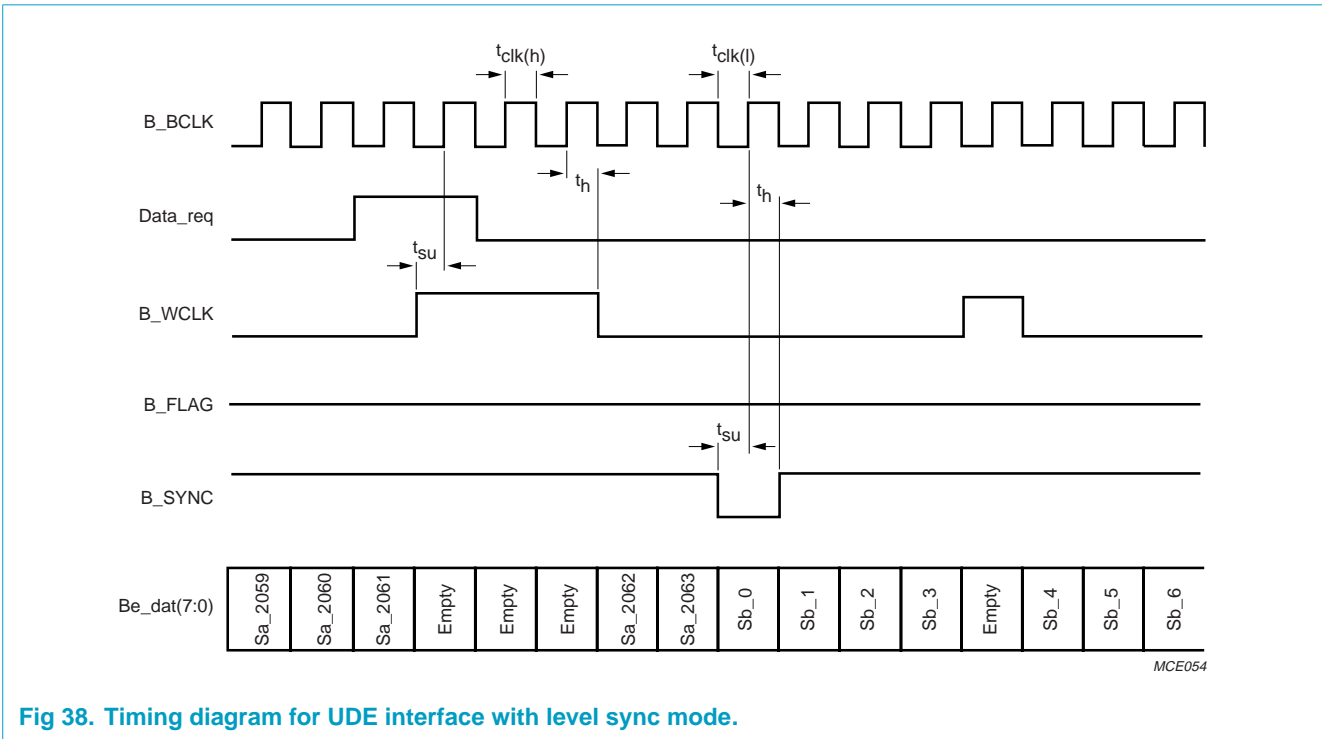


Fig 38. Timing diagram for UDE interface with level sync mode.

Polarity of Data_req, B_WCLK, B_FLAG and B_SYNC is programmable.

The UDE transmitter must react on the Data_req signal within 5 B_BCLK cycles. The SAA7893HL samples the data on the positive slope of B_BCLK when the B_WCLK signal is active.

When B_FLAG signal is active for one byte of the sector, the total sector will be treated as erroneous.

The maximum clock frequency of B_BCLK is 20 MHz.

The Data_req line generated by the SAA7893HL is synchronized to the internal sys_clk signal. Therefore, the Data_req line is asynchronous with respect to BCLK line.

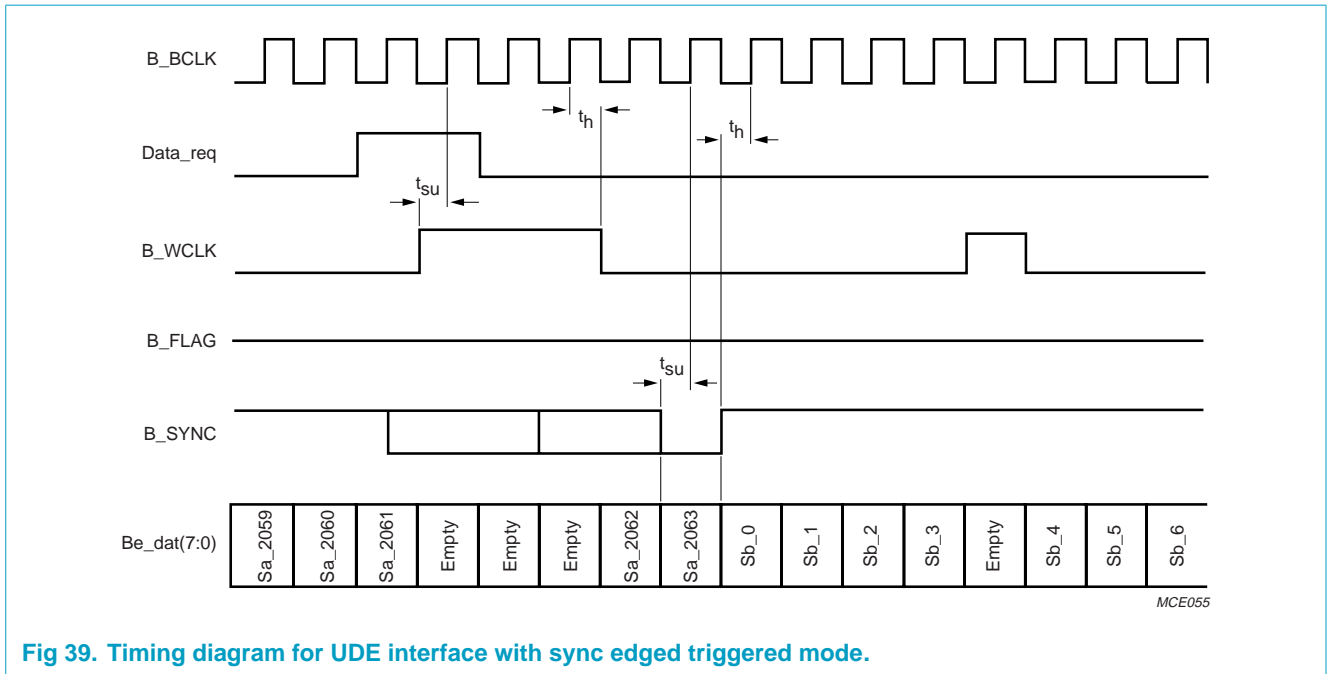


Fig 39. Timing diagram for UDE interface with sync edged triggered mode.

Polarity of Data_req, B_WCLK, B_FLAG and B_SYNC is programmable.

Table 25: Timing in synchronous parallel mode

Symbol	Parameter	Conditions	Min	Max	Unit
$t_{clk(h/l)}$	HIGH/LOW time of the B_BCLK signal	maximum clock frequency of B_BCLK is 20 MHz	20	-	ns
t_{su}	set-up time to rising edge of the clock	data/control must be stable during t_{su} before positive slope of B_BCLK	10	-	ns
t_h	hold time after rising edge of the clock	data/control must be kept at least during t_h after positive slope of B_BCLK	5	-	ns
t_o	output delay from the clock		2	15	ns

9.2.2 Interface connection

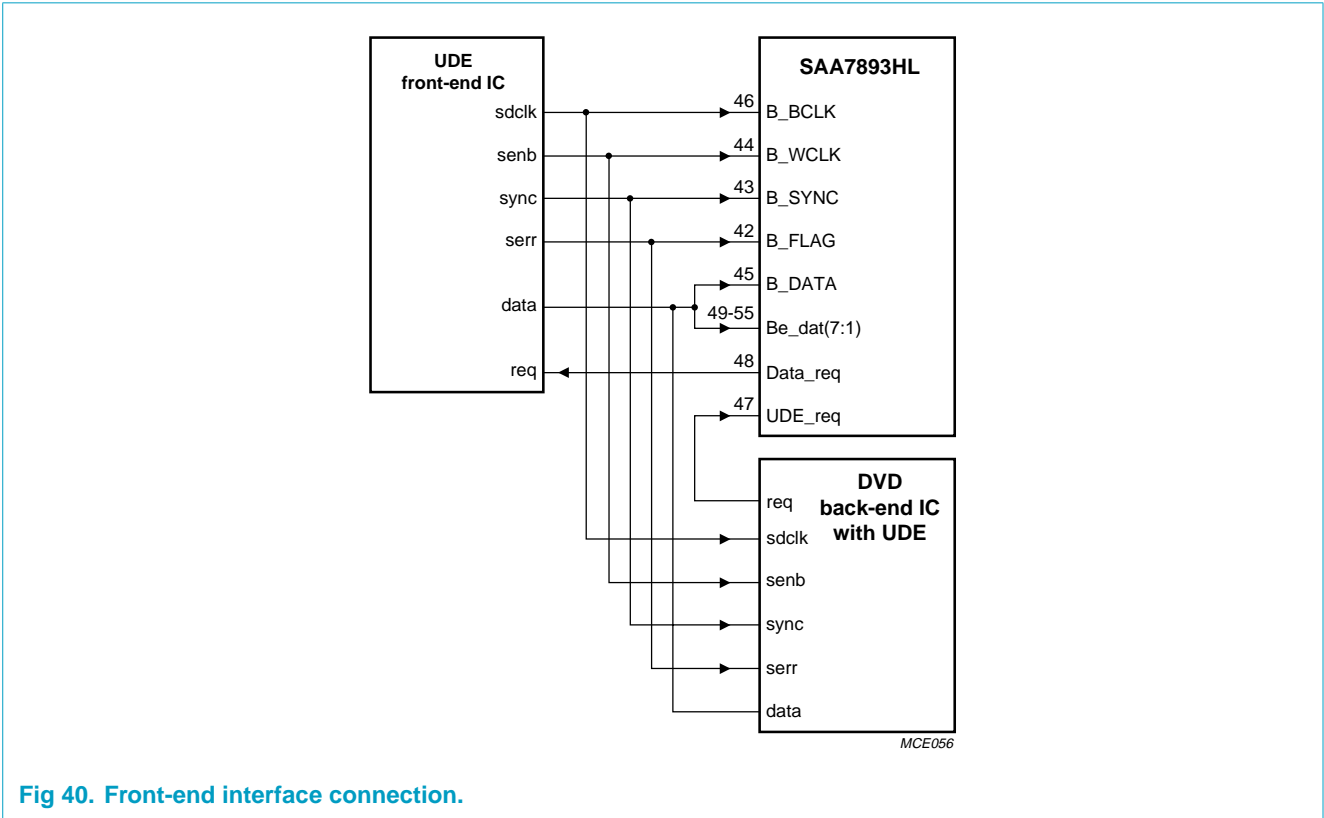


Fig 40. Front-end interface connection.

9.3 FEC interface

This is a serial interface for communication to a special front-end IC.

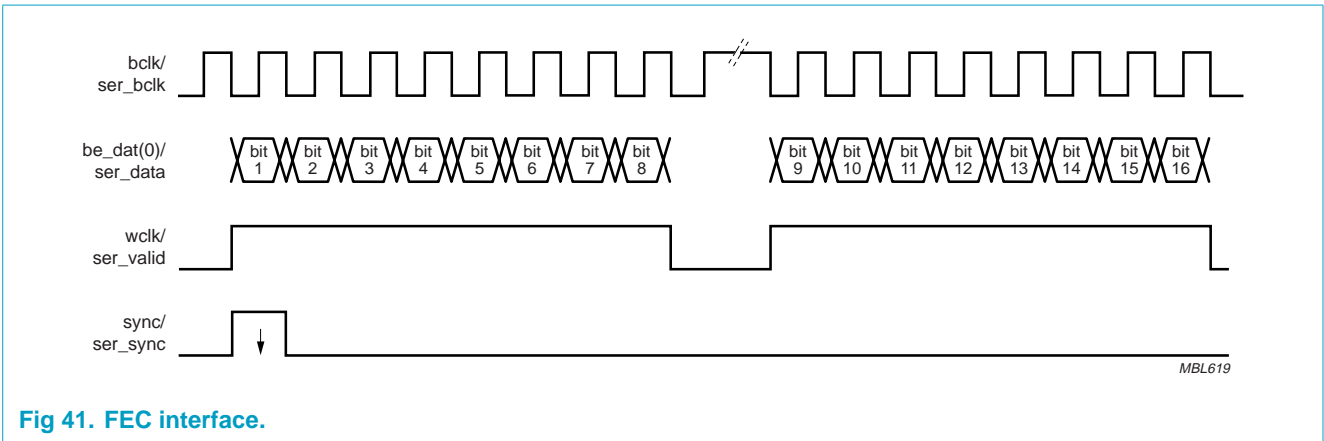


Fig 41. FEC interface.

The timing diagram of the FEC interface is given in **Figure 41**. The first bit of a sector is indicated by the sync signal; this is the MSB bit of the first byte of the header. The sector error indication is in FEC mode indicated by two extra bytes at the end of the sector. This means that the sector length is increased to 2066 bytes. The indication of errors is as follows:

FF = error; 00 = no error.

9.3.1 Timing

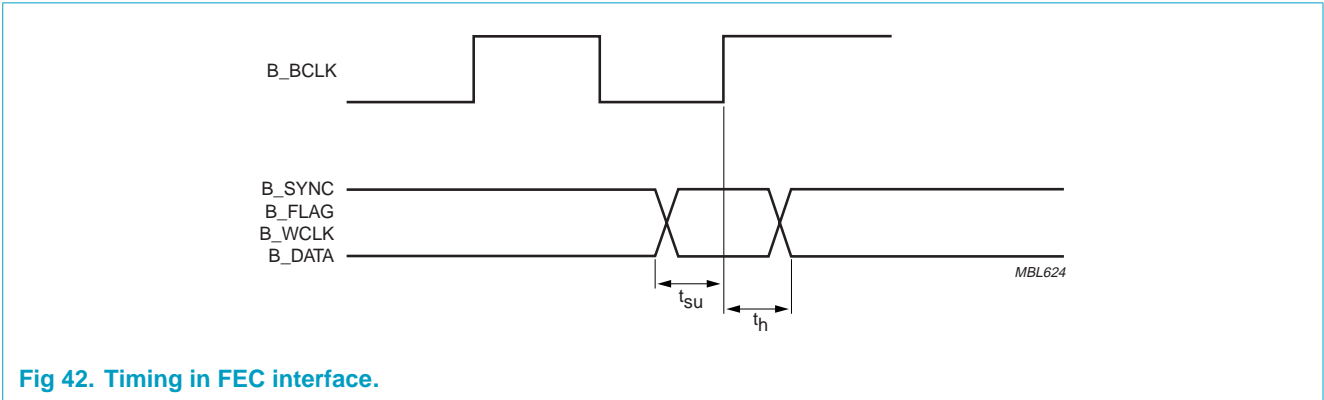


Fig 42. Timing in FEC interface.

Table 26: Timing in FEC interface

Symbol	Parameter	Min	Unit
t_{su}	set-up time to rising edge of the clock	10	ns
t_h	hold time after rising edge of the clock	5	ns

9.3.2 Interface connection

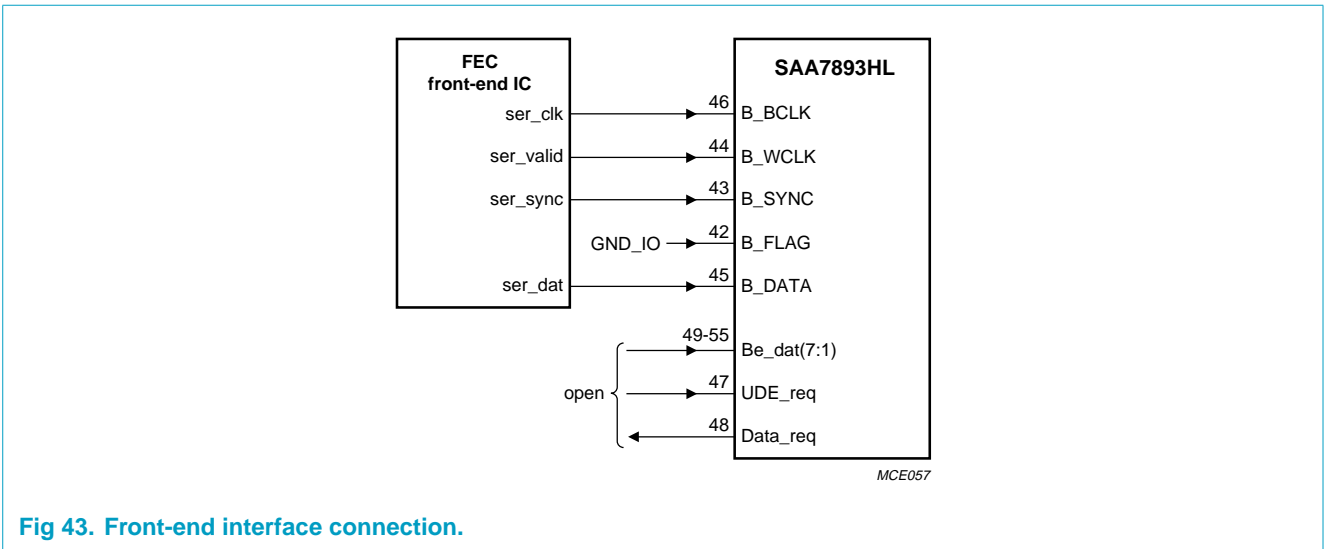


Fig 43. Front-end interface connection.

10. HF input

10.1 General

On every SACD disc a PSP signal must be recorded. The player is only allowed to play a disc if a valid PSP signal is detected. This PSP key is recorded via a special mechanism in the EFM signal on disc. The EFM+ signal must be fed to the SAA7893HL as shown in Figure 44.

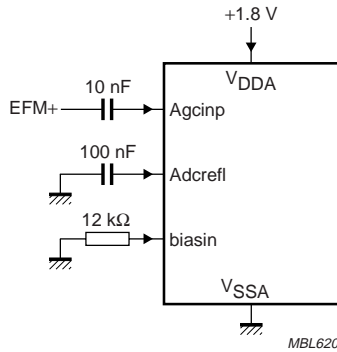


Fig 44. Connection of EFM+ input.

The detection of the PSP key is dependent of the polarity of the EFM+ signal. The SA-MP settings are that a pit on the disc must have a higher output voltage than the land. The EFM+ input signal has no timing requirements with respect to the digital input of the front-end interface of the SAA7893HL.

The SAA7893HL supports also an inversion of the EFM+ signal.

10.2 HF input specification

The AGC circuit must be able to handle the following signal characteristics of the HF input signal.

Table 27: HF signal characteristics

HF	Value	Remark
Input range	0.2 to 0.8 V (p-p)	HF input voltage
Bandwidth	9 MHz	front-end running on maximum speed needed for SACD

The HF is AC-coupled via a capacitor of 10 nF to pin Agcinp. The internal resistance of pin Agcinp is 1 MΩ.

Table 28: Signal connections

Pin name	Description
Agcinp	HF output from pickup unit connected via a 10 nF couple capacitor
biasin	bias current; connect a 12 kΩ resistor to V _{SS} (ground)
Adcrefl	reference voltage for internal resistor trap; decouple with 100 nF to V _{SS} (ground)
V _{SSA}	analog ground
V _{DDA}	1.8 V analog power supply

10.3 HF-input application diagram

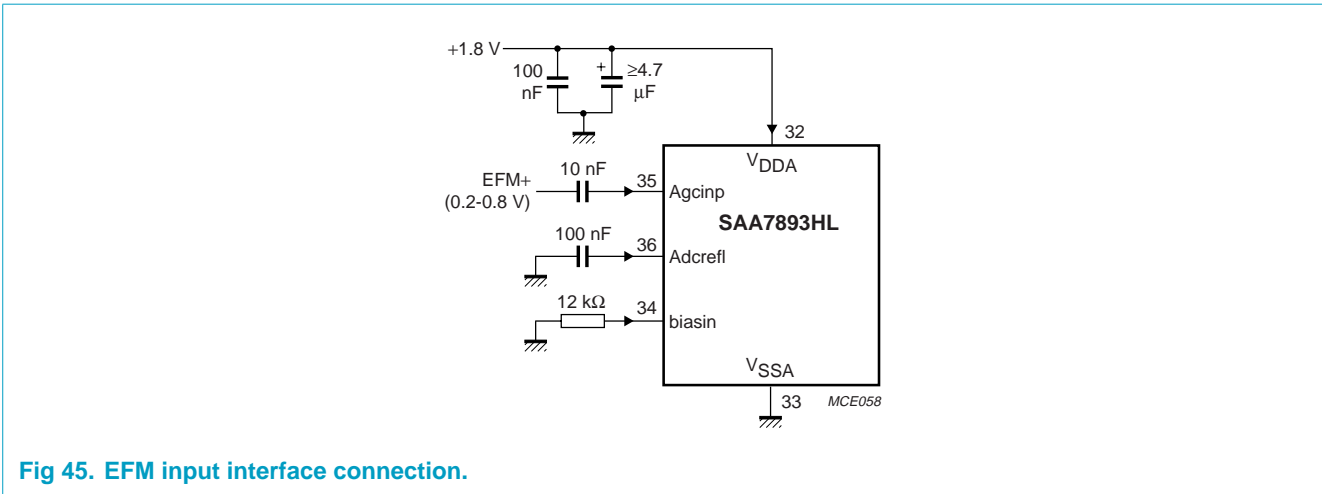


Fig 45. EFM input interface connection.

11. Audio interfaces

11.1 Audio input interface

The PCM-I²S audio input signals can be either directly couple, without any processing to the DSD_PCM output lines, or further processed inside the SAA7893HL. When directly coupled, only a combinatorial delay must be taken into account; no dependency on any clock signal (see Section 11.1.1). The input signal characteristics, when audio processing must be performed, are given in Section 11.1.2.

11.1.1 Audio input directly coupled

When no processing is done inside the SAA7893HL with respect to the I²S-PCM input stream, this input stream is sent via a multiplexer to the I²S-bus output paths. So no clocking is done on this signal, meaning that also no locked audio clock needs to be present.

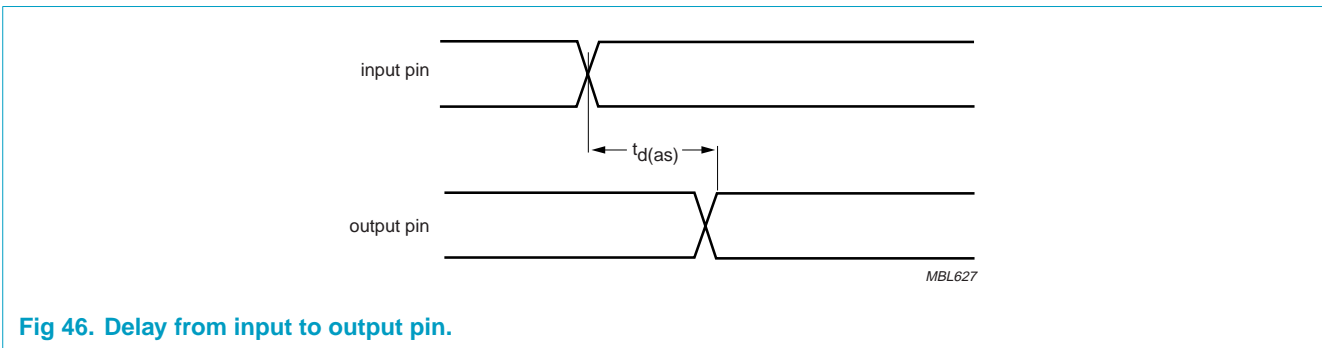


Fig 46. Delay from input to output pin.

Table 29: Timing numbers in PCM audio

Symbol	Parameter	Min	Typ	Max	Unit
t _{d(as)}	asynchronous delay	8	13	18	ns

11.1.2 Audio input ‘with processing’

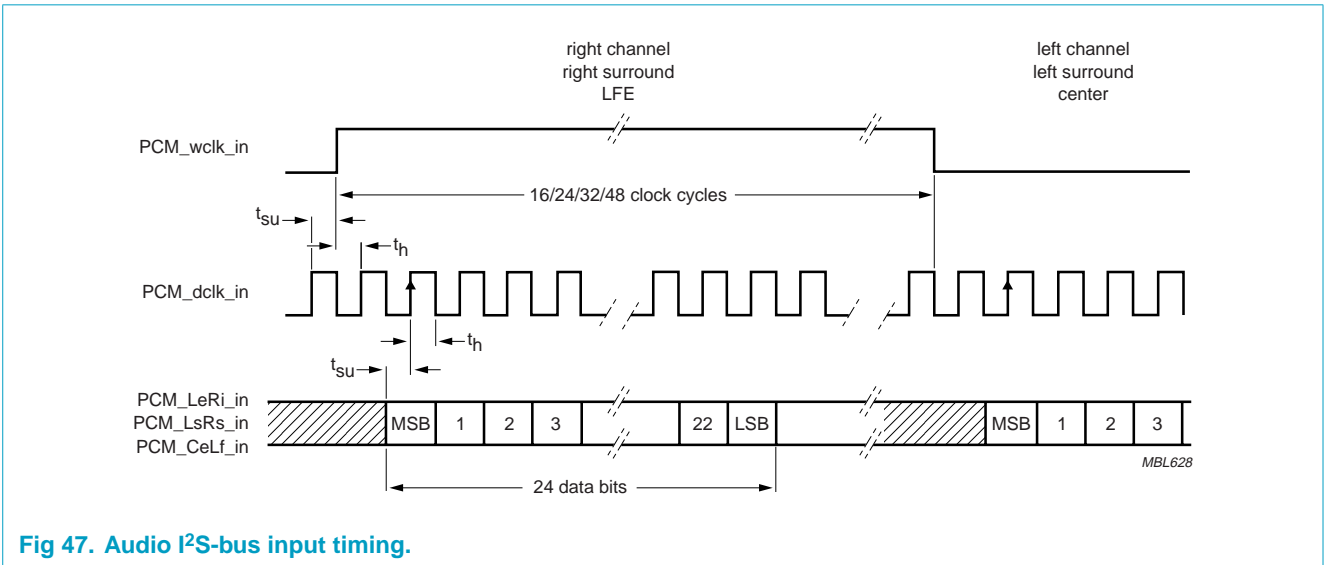


Fig 47. Audio I²S-bus input timing.

Table 30: Timing numbers in PCM audio

Symbol	Parameter	Conditions	Min	Unit
t_{su}	set-up time to rising edge to the pcm_dclk_in signal	in PCM-I²S mode, the data is always outputted on the negative edge of the bit clock; so here data is sampled on positive edge of the clock	8	ns
t_h	hold time after rising edge of the pcm_dclk_in signal	in PCM-I²S mode, the data is always outputted on the negative edge of the bit clock; so here data is sampled on positive edge of the clock	5	ns

11.1.3 Interface connection

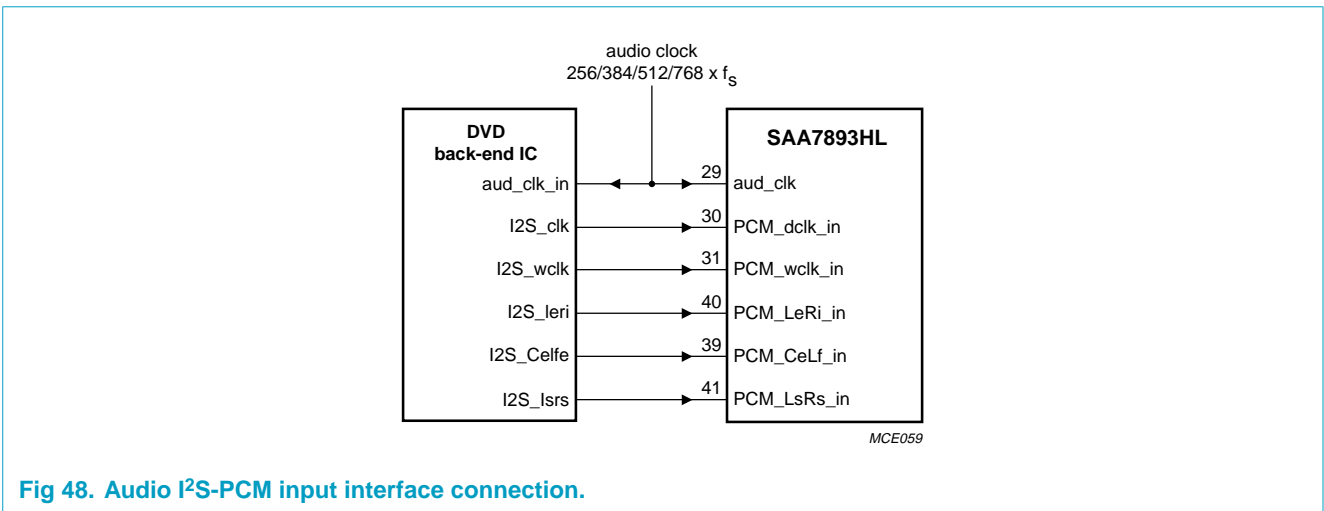


Fig 48. Audio I²S-PCM input interface connection.

11.2 Audio output interface

The 6-channel outputs can be either DSD format or PCM-I²S format. The connections are given in Table 31.

The SAA7893HL has 12 output lines: 8 lines are allocated for connection to a 6-channel DAC and 4 are for connection to a 2-channel DAC or a 75 Hz reference signal. The DSD data on the MCH output lines are outputted 6412 clocks after the positive edge of the 75 Hz signal, if no additional post-processing is done.

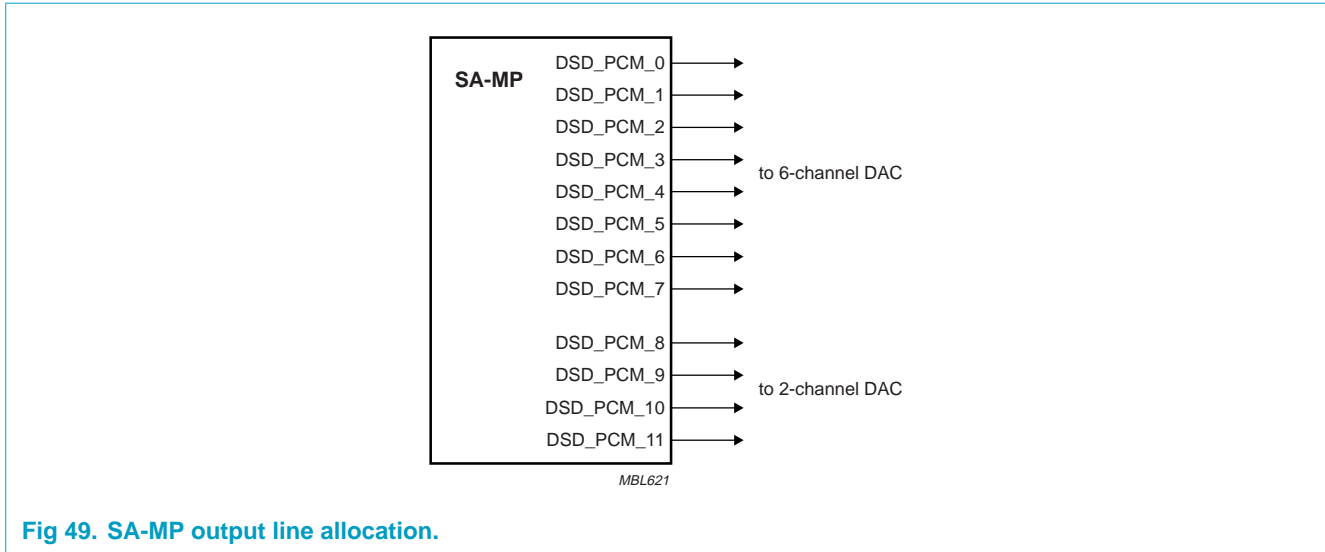


Fig 49. SA-MP output line allocation.

The SA-MP delivers extra flexibility when connecting to different DAC types, which can be: DSD only, PCM only or multi standard (DSD + PCM)]. In Table 31 the signal allocation is given for the 6-channel output in DSD and in PCM-I²S mode.

Table 31: Connection to a 6-channel DAC

Output line	Pin number	Mode = DSD	Mode = PCM
DSD_PCM_0	108	left channel	L _f + R _f ; L _s + R _s ; C + LFE; 0 or 1; PCM data/word clock
DSD_PCM_1	109	right channel	L _f + R _f ; L _s + R _s ; C + LFE; 0 or 1; PCM data/word clock
DSD_PCM_2	110	center channel	L _f + R _f ; L _s + R _s ; C + LFE; 0 or 1; PCM data/word clock
DSD_PCM_3	111	LFE channel	L _f + R _f ; L _s + R _s ; C + LFE; 0 or 1; PCM data/word clock
DSD_PCM_4	113	left surround	L _f + R _f ; L _s + R _s ; C + LFE; 0 or 1; PCM data/word clock
DSD_PCM_5	114	right surround	L _f + R _f ; L _s + R _s ; C + LFE; 0 or 1; PCM data/word clock
DSD_PCM_6	115	DSD clock or 0 or 1	PCM data/word clock
DSD_PCM_7	116	DSD clock or 0 or 1	PCM data/word clock

In Table 32 the signal allocation is given for the DSD/PCM signals to be connected to the stereo DAC.

Table 32: Connection to a 4-channel DAC

Output line	Pin number	Mode = DSD	Mode = PCM	Mode = 75 Hz
DSD_PCM_8	117	DSD clock	PCM data/word clock	0 or 1
DSD_PCM_9	120	0 or 1	PCM data/word clock	0 or 1
DSD_PCM_10	119	left channel	$L_f + R_f$; 0 or 1	75 Hz
DSD_PCM_11	121	right channel	$L_f + R_f$; 0 or 1	0 or 1

Both tables show that DSD has a fixed allocation while PCM outputs are selectable. The I²S-bus bit stream, generated by the SAA7893HL decimation filter, is in the Philips format as can be seen in the timing diagrams. The number of data bits is always 24.

Table 33: Serial bit clock frequency

Audio input clock	I ² S output 'wclk' frequency	DCLK (data bit) frequency	Remark
256f _s	2f _s	128f _s	
	4f _s	256f _s	
384f _s	2f _s	128f _s	no symmetrical bit clock
	4f _s	384f _s	48 clocks for a word identification
512f _s	2f _s	128f _s	
	4f _s	256f _s	
768f _s	2f _s	128f _s	
	4f _s	256f _s	

The wclk identification is always active for 32 clocks for each left and right sample, except when the input clock is 384f_s and the output sample frequency is 4f_s; then the wclk is 48 samples active.

11.2.1 DSD output

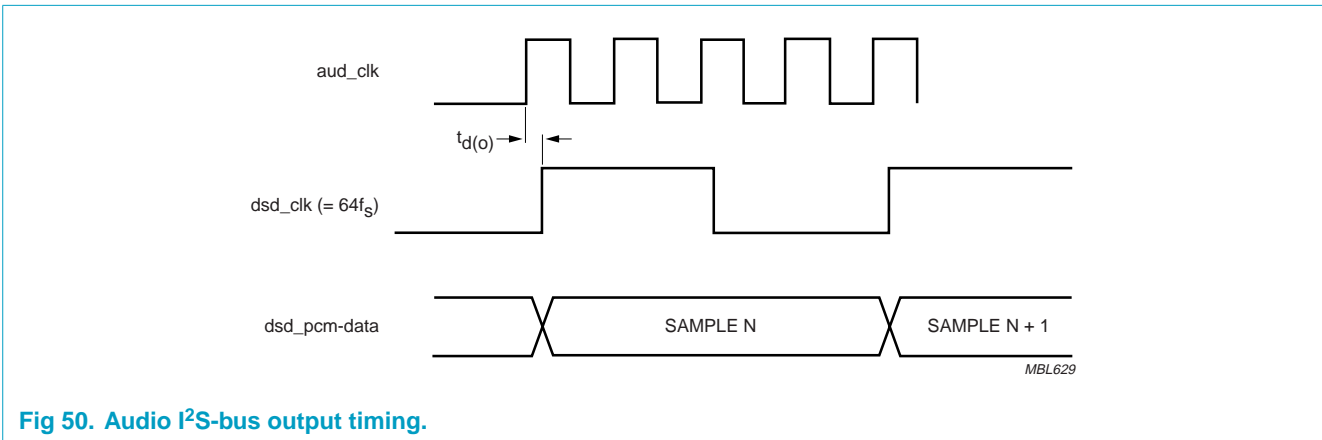


Fig 50. Audio I²S-bus output timing.

Remark: in this example timing of the aud_clk is 256 × f_s and DSD clock phase is set to logic 0. If phase is set to logic 1, the dsd_clk signal will be inverted.

Table 34: Timing numbers in DSD audio

Symbol	Parameter	Min	Max	Unit
$t_{d(o)}$	output delay time with respect to the audio clock	4	20	ns

11.2.2 I²S-PCM generated by the SAA7893HL

In Figure 51 and Figure 52 the timing diagrams are given when the internal PCM generator of the SAA7893HL generates the I²S-PCM output signals.

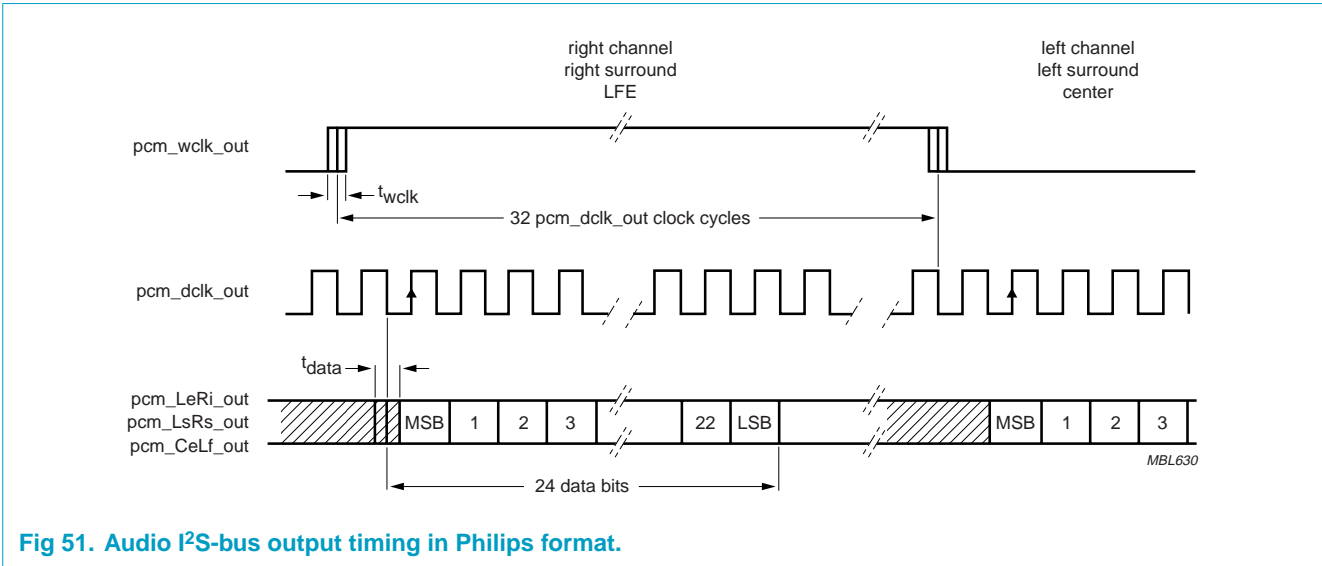


Fig 51. Audio I²S-bus output timing in Philips format.

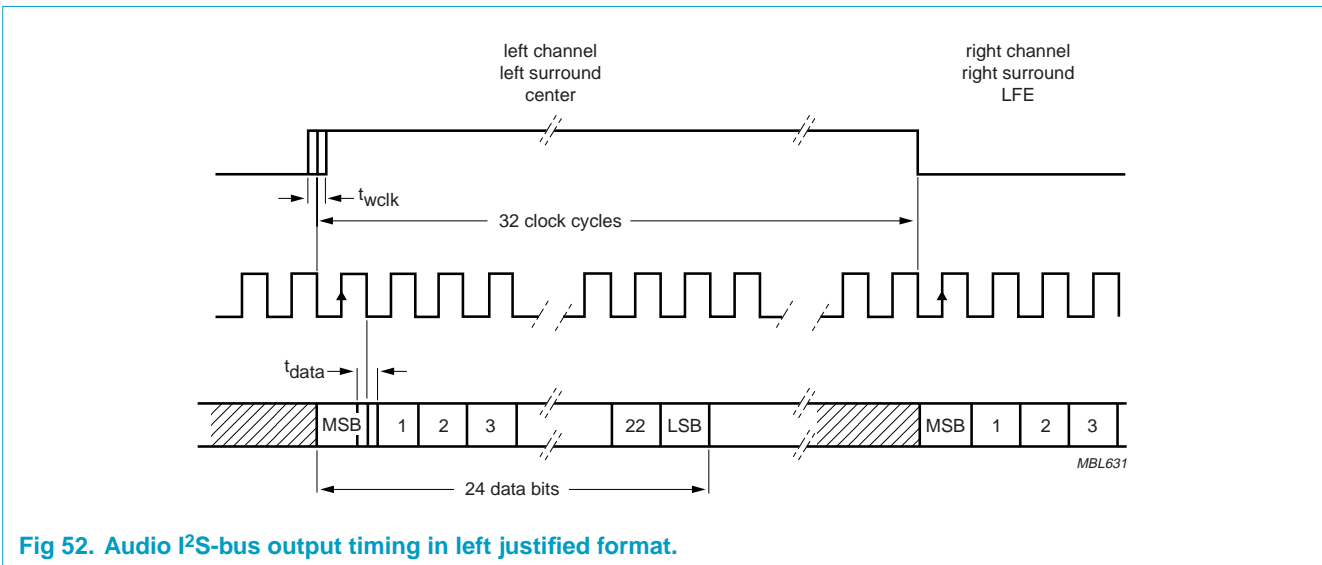


Fig 52. Audio I²S-bus output timing in left justified format.

Table 35: Timing numbers for PCM-I²S output

Symbol	Parameter	Min	Max	Unit
t_{wclk}	pcm_wclk_out timing with respect to negative edge of pcm_dclk_out	-10	+10	ns
t_{data}	pcm_data_out timing with respect to negative edge of pcm_dclk_out	-10	+10	ns

11.3 Audio output application diagrams

11.3.1 Hybrid DAC connection

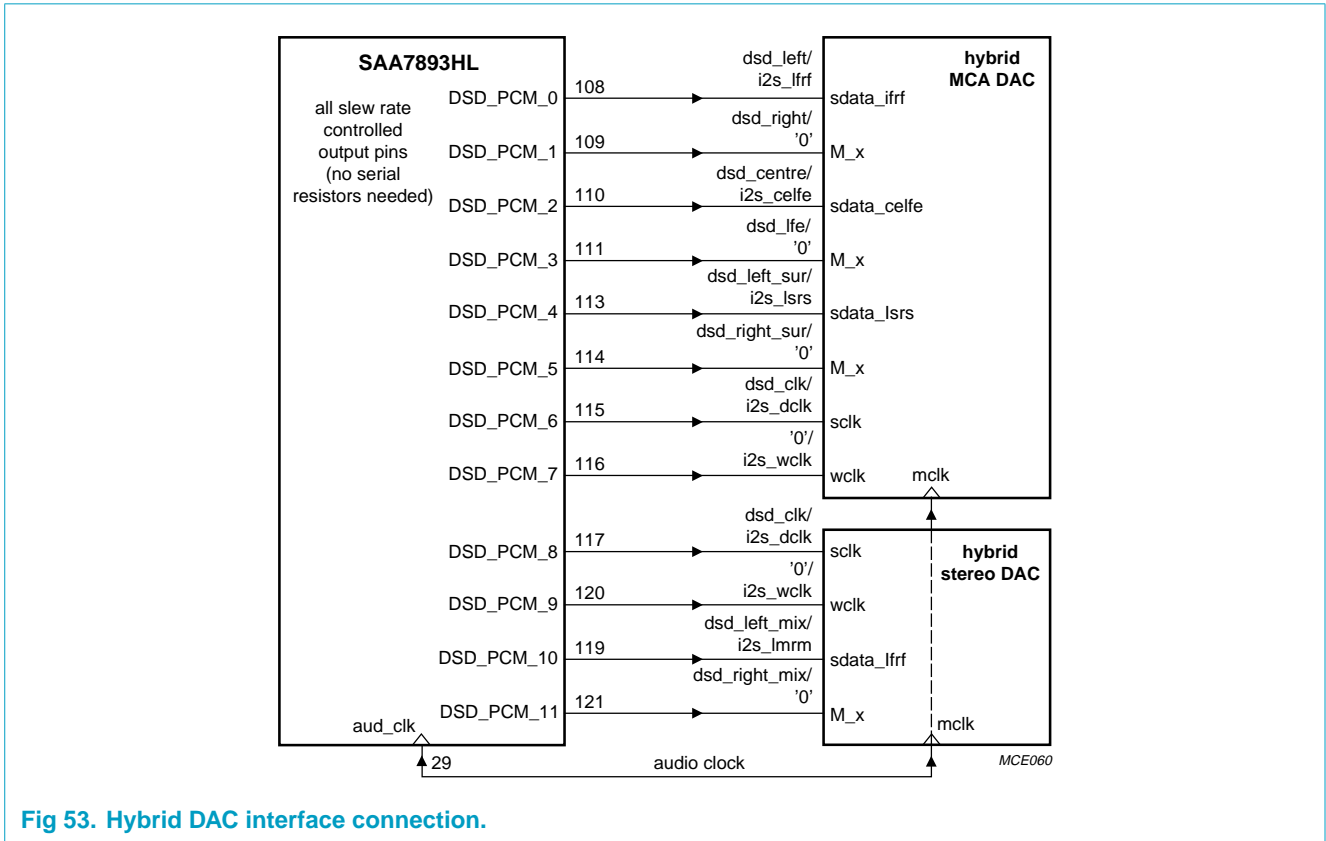


Fig 53. Hybrid DAC interface connection.

11.3.2 DSD DAC connection

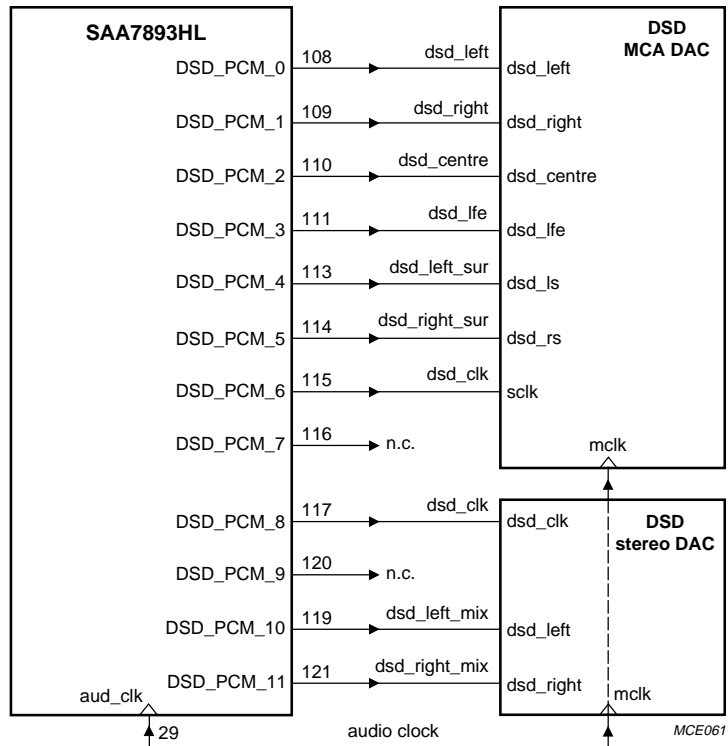


Fig 54. DSD DAC interface connection.

11.3.3 PCM DAC connection

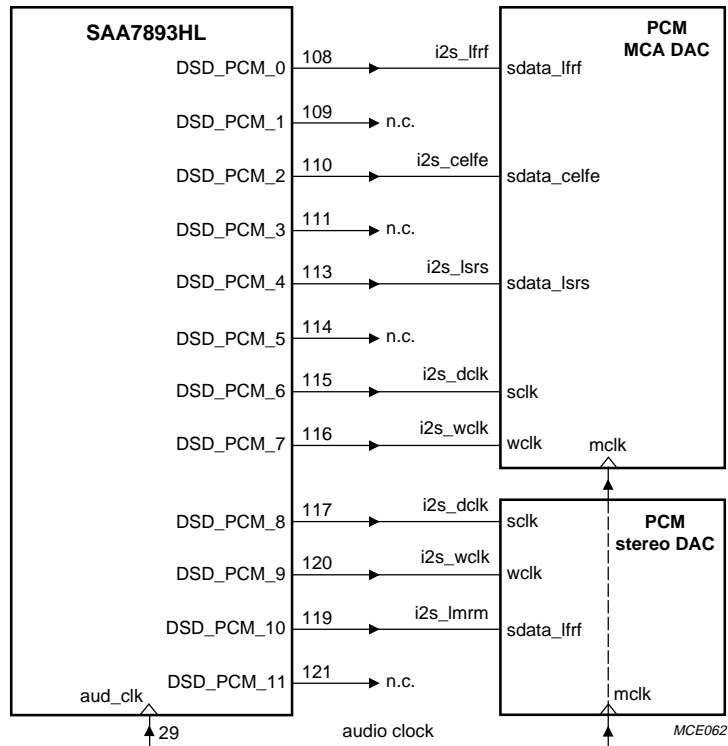


Fig 55. PCM DAC interface connection.

12. SDRAM interface

12.1 Writing

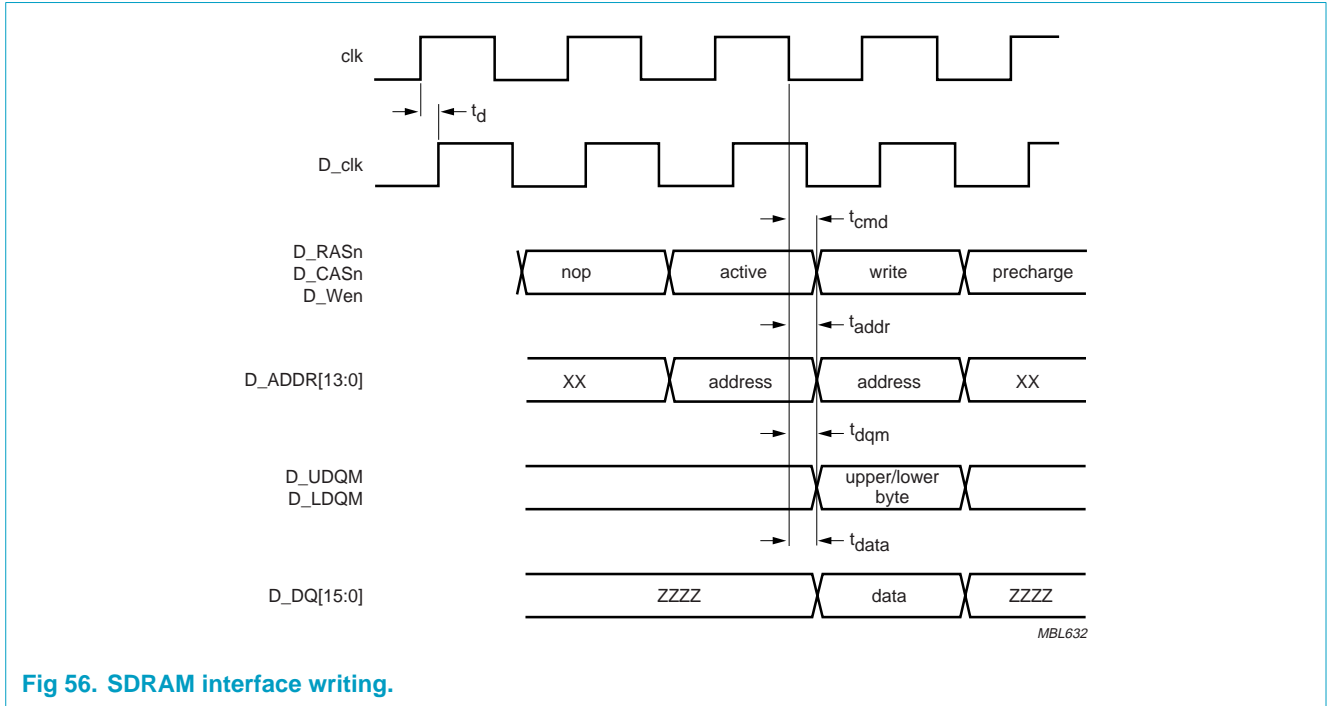


Fig 56. SDRAM interface writing.

Table 36: Timing numbers of SDRAM interface writing

Symbol	Parameter	Conditions	Min	Max	Unit
t_d	delay from clk to D_clk of SDRAM interface	D_clk is clock of SDRAM	3	9	ns
t_{cmd}	delay from clk to control signals		1	15	ns
t_{addr}	delay from clk to address lines		1	15	ns
t_{dqm}	delay from clk to D_UDQM and D_LDQM signals		1	12	ns
t_{data}	delay from clk to data output signals		1	12	ns

12.2 Reading

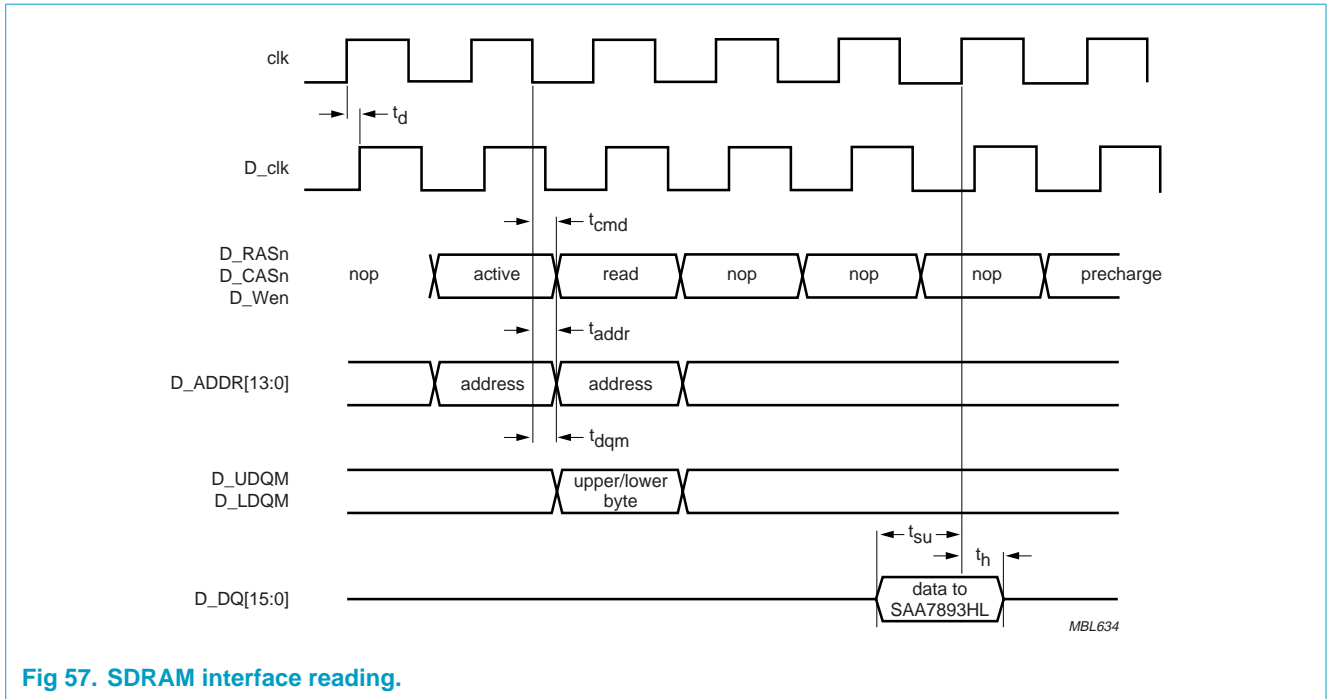


Fig 57. SDRAM interface reading.

Table 37: Timing numbers of SDRAM interface reading

Symbol	Parameter	Conditions	Min	Max	Unit
t_d	delay from clk to D_clk of SDRAM interface	D_clk is clock of SDRAM	3	9	ns
t_{cmd}	delay from clk to control signals		1	15	ns
t_{addr}	delay from clk to address lines		1	15	ns
t_{dqm}	delay from clk to D_UDQM and D_LDQM signals		1	12	ns
t_{su}	set-up time of data to clk		3	-	ns
t_h	hold time of data from clk		3	-	ns

12.3 Interface connection

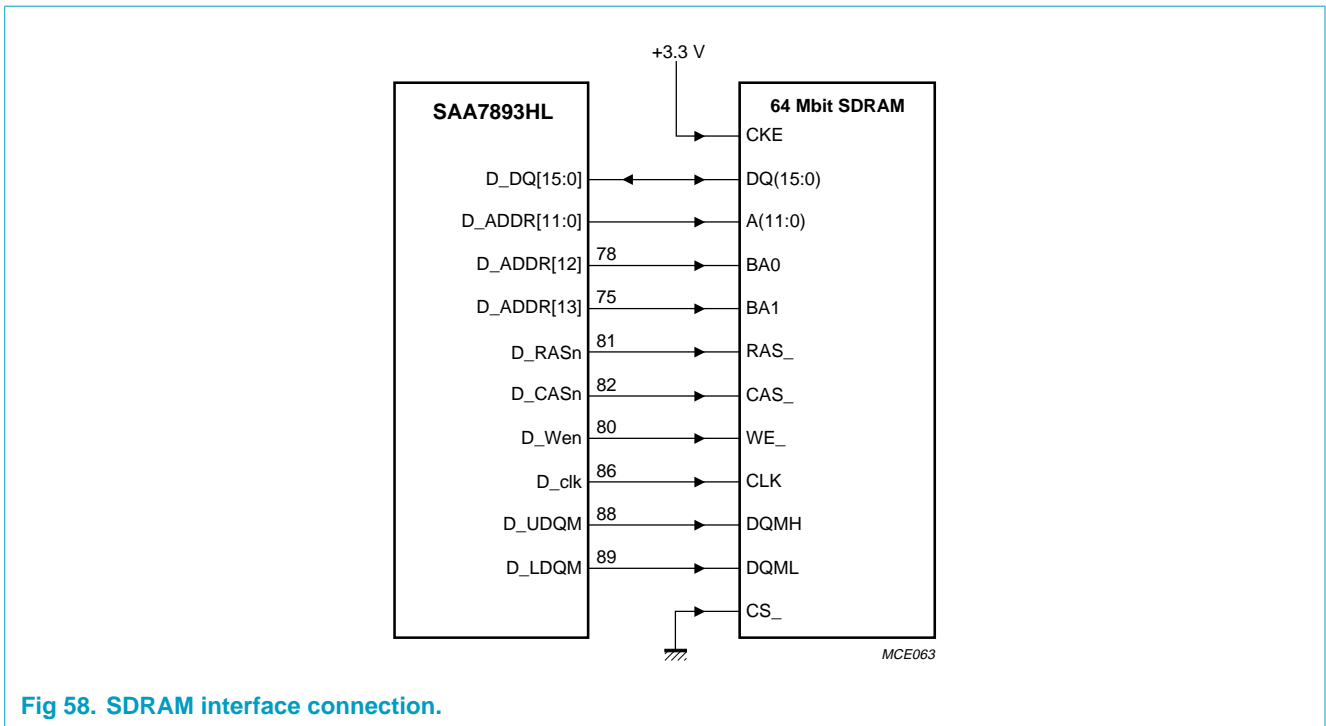
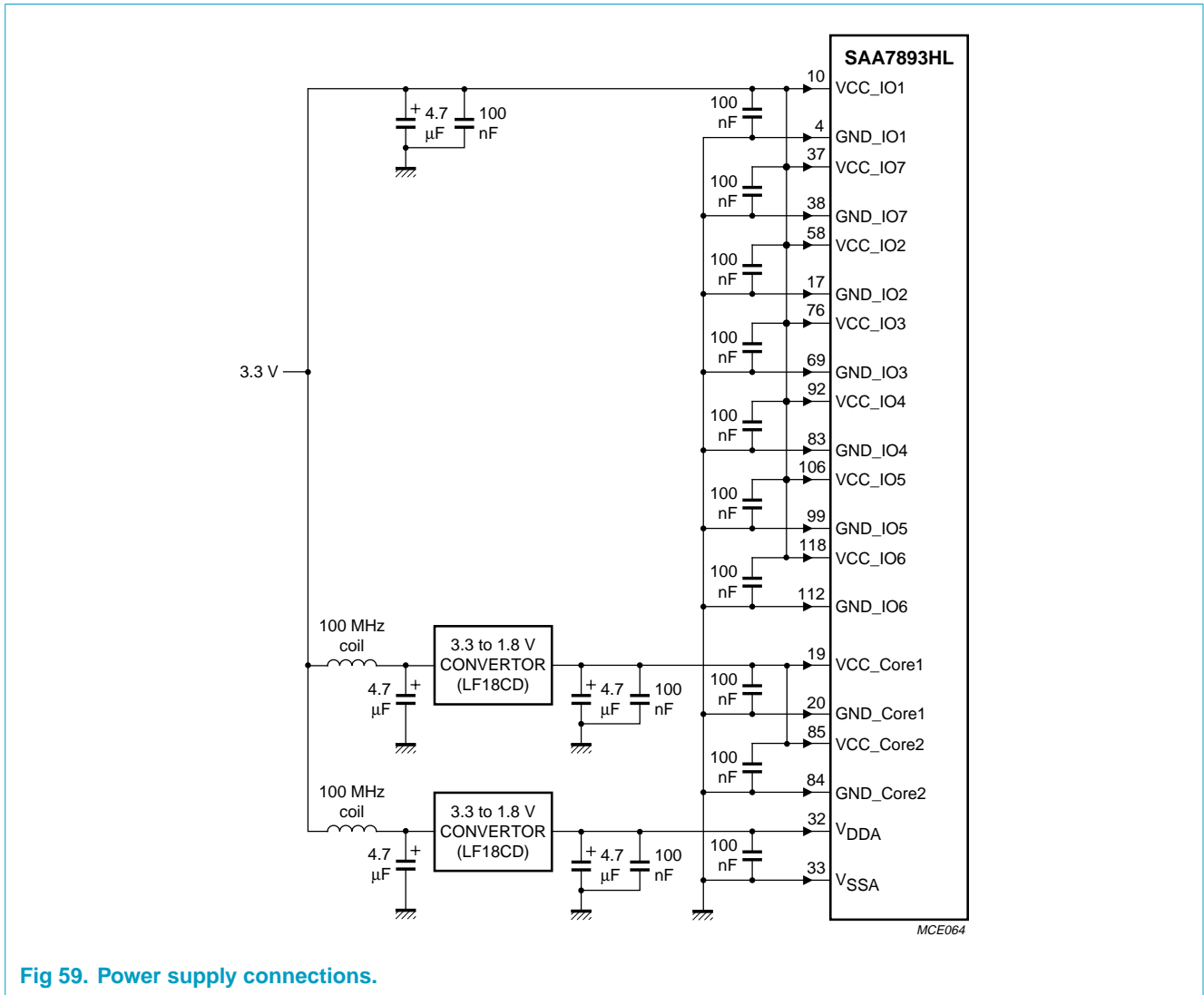


Fig 58. SDRAM interface connection.

13. Power supply connections



14. Software API

14.1 API provided by SA-MP

Table 38: API provided by SA-MP

Name	Description
Playback API	
NAV_AreaSwitch	Switch SACD Area
NAV_PlayTrack	Start playing at the index of the track
NAV_PlayAtTimecode	Start playing at the given time
NAV_Stop	Stop playback
NAV_Pause	Pause playback
NAV_ResumePlay	Resume playback at normal speed
NAV_NextTrack	Continue with next track
NAV_PreviousTrack	Continue with previous track
NAV_Repeat	Set the repeat mode for playback
NAV_RepeatAB	Set the repeat AB mode
NAV_Shuffle	Play tracks in random order
NAV_IntroScan	Play only intro part of each track
NAV_ForwardScan	Start scanning forward – fast playback with burst sound
NAV_BackwardScan	Start scanning backward – fast playback with burst sound
NAV_SetPlaySequence	Set play sequence mode
NAV_SetProgramList	Set program list
NAV_GetState	Returns navigator states
NAV_GetPlayList	Returns navigator play list
Post-processing API	
APM_SetSpeakers	Select speaker configuration
APM_SetInputMode	Select between DSD or PCM as APM input
APM_SetOutputMode	Select APM output mode (DSD or PCM)
APM_Set6chDownMix	Set the downmix of six-channel output stream
APM_Set2chDownMix	Set the downmix of two-channel output stream
APM_SetBassFilters	Select the bass management frequency and slope
APM_SetAttenuation	Set attenuation of an output channel
APM_SetDelay	Set delay of a channel of output stream
APM_SetFilterMode	Set Sigma Delta modulator filter mode
APM_SetPcmUpsampling	Set the PCM upsampling mode
APM_SetPIO	Set the DAC PIO pins
Text and Data API	
SDI_SetAvailableCharSets	Set a list of character sets, application can handle
SDI_SetLanguagePreference	Set a list of preferred languages
SDI_GetAlbumInfo	Retrieve information about the album of active disc
SDI_GetAlbumText	Retrieve album text items

Table 38: API provided by SA-MP...continued

Name	Description
SDI_GetNumberOfIndices	Retrieve number of indices for specified track
SDI_GetDiscInfo	Retrieve information about the active disc
SDI_GetDiscText	Retrieve disc text items
SDI_GetAreaText	Retrieve area text items
SDI_GetTrackInfo	Retrieve information about the specified track
SDI_GetTrackText	Retrieve track text items
System configuration API	
SDM_SetBeType	Select the front-end interface attached to SA-MP
SDM_SetDacPinning	Configure the DAC pins
SDM_SetAudioClock	Configure the audio clock for different input stream modes
SDM_SetMemoryConfig	Configure the SDRAM attached to the SAA7893HL
SDM_GetHandler	Return the pointer to SA-MP interrupt handler
SDM_SetDsdClockPolarity	Configure the DSD clock polarity
SDM_SetSystemClock	Inform SA-MP about the system clock
SDM_SetBurstLength	Configure the burst length for fast play
General API	
SAMP_Init	Initialize SA-MP
SAMP_Term	Terminate SA-MP
SAMP_Activate	Activate SA-MP
SAMP_Reactivate	Reactivate SA-MP
SAMP_Deactivate	Deactivate SA-MP
SAMP_SACDDiscReq	SACD disc recognition

14.2 API required by SA-MP

Software to be provided by the DVD host:

- For the front-end: Seek, GetDataArea, TransferRate (optional)
- For the operating system: Tasks, Interrupts, Semaphores, Mailboxes, Timers.

15. Limiting values

Table 39: Absolute maximum ratings

In accordance with the Absolute Maximum Rating System (IEC 60134). Note 1.

Symbol	Parameter	Min	Max	Unit
VCC_Core	digital core supply voltage	-0.5	+2.1	V
VCC_IO	IO pins supply voltage	-0.5	+3.8	V
V _{DDA}	analog supply voltage	-0.5	+2.1	V
V _I	DC input voltage	-0.5	+5.5	V
T _{amb}	ambient temperature	0	70	°C
T _{stg}	storage temperature	-25	+125	°C
T _j	junction temperature	-150	+150	°C

[1] Stresses above the absolute maximum ratings may cause permanent damage to the device. Exposure to absolute maximum ratings for extended periods may effect device reliability.

16. Characteristics

Table 40: Characteristics

Symbol	Parameter	Min	Typ	Max	Unit
Power supply: VCC_Core (digital core supply voltage)					
VCC_Core	digital core supply voltage	1.65	1.8	1.95	V
P	power dissipation	90	110	150	mW
Power supply: V_{DDA} (analog supply voltage)					
V _{DDA}	analog supply voltage	1.65	1.8	1.95	V
P	power dissipation during disc recognition only	-	40	60	mW
Power supply: VCC_IO (I/O pins supply voltage)					
VCC_IO	I/O pins supply voltage	3.0	3.3	3.6	V
P	power dissipation during disc recognition only	-	70	100	mW
Digital inputs and outputs					
V _{IH}	HIGH-level input voltage	2.0	-	VCC_IO + 0.5	V
V _{IL}	LOW-level input voltage	-	-	0.8	V
V _{OH}	HIGH-level output voltage	VCC_IO - 0.4	-	-	V
V _{OL}	LOW-level output voltage	-	-	0.4	V
C _i	input capacitance	-	-	10	pF
C _o	output capacitance	-	-	10	pF
I _{LI}	input leakage current	-	-	±10	µA
I _{i(n)}	input current on any pin except supplies	-	-	±10	mA

17. Package outline

LQFP128: plastic low profile quad flat package; 128 leads; body 14 x 20 x 1.4 mm

SOT425-1

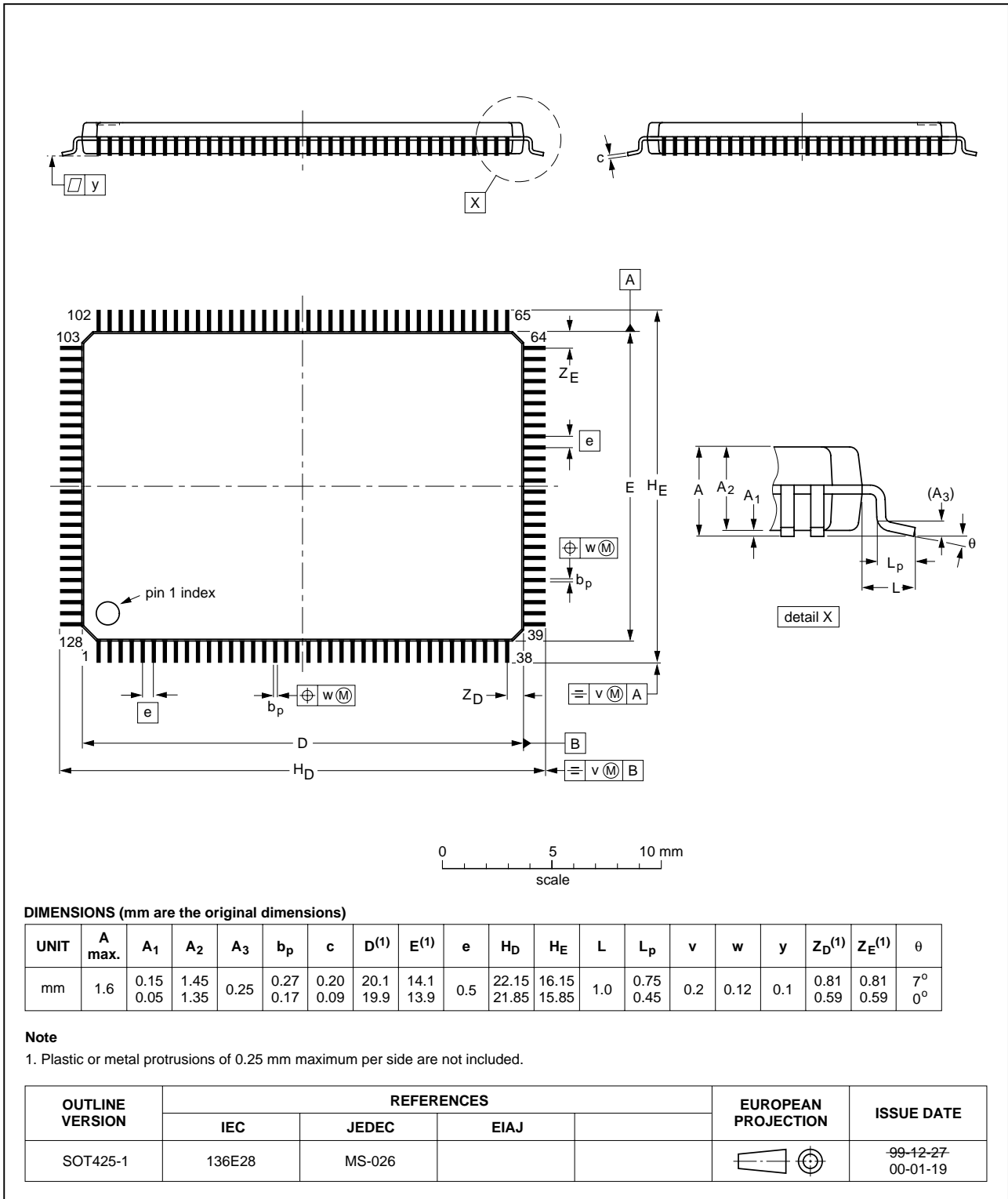


Fig 60. LQFP128 (SOT425-1) package outline.

18. Soldering

18.1 Introduction to soldering surface mount packages

This text gives a very brief insight to a complex technology. A more in-depth account of soldering ICs can be found in our *Data Handbook IC26; Integrated Circuit Packages* (document order number 9398 652 90011).

There is no soldering method that is ideal for all surface mount IC packages. Wave soldering can still be used for certain surface mount ICs, but it is not suitable for fine pitch SMDs. In these situations reflow soldering is recommended.

18.2 Reflow soldering

Reflow soldering requires solder paste (a suspension of fine solder particles, flux and binding agent) to be applied to the printed-circuit board by screen printing, stencilling or pressure-syringe dispensing before package placement.

Several methods exist for reflowing; for example, convection or convection/infrared heating in a conveyor type oven. Throughput times (preheating, soldering and cooling) vary between 100 and 200 seconds depending on heating method.

Typical reflow peak temperatures range from 215 to 250 °C. The top-surface temperature of the packages should preferably be kept:

- below 220 °C for all the BGA packages and packages with a thickness ≥ 2.5 mm and packages with a thickness < 2.5 mm and a volume ≥ 350 mm³ so called thick/large packages
- below 235 °C for packages with a thickness < 2.5 mm and a volume < 350 mm³ so called small/thin packages.

18.3 Wave soldering

Conventional single wave soldering is not recommended for surface mount devices (SMDs) or printed-circuit boards with a high component density, as solder bridging and non-wetting can present major problems.

To overcome these problems the double-wave soldering method was specifically developed.

If wave soldering is used the following conditions must be observed for optimal results:

- Use a double-wave soldering method comprising a turbulent wave with high upward pressure followed by a smooth laminar wave.
- For packages with leads on two sides and a pitch (e):
 - larger than or equal to 1.27 mm, the footprint longitudinal axis is **preferred** to be parallel to the transport direction of the printed-circuit board;
 - smaller than 1.27 mm, the footprint longitudinal axis **must** be parallel to the transport direction of the printed-circuit board.

The footprint must incorporate solder thieves at the downstream end.

- For packages with leads on four sides, the footprint must be placed at a 45° angle to the transport direction of the printed-circuit board. The footprint must incorporate solder thieves downstream and at the side corners.

During placement and before soldering, the package must be fixed with a droplet of adhesive. The adhesive can be applied by screen printing, pin transfer or syringe dispensing. The package can be soldered after the adhesive is cured.

Typical dwell time is 4 seconds at 250 °C. A mildly-activated flux will eliminate the need for removal of corrosive residues in most applications.

18.4 Manual soldering

Fix the component by first soldering two diagonally-opposite end leads. Use a low voltage (24 V or less) soldering iron applied to the flat part of the lead. Contact time must be limited to 10 seconds at up to 300 °C.

When using a dedicated tool, all other leads can be soldered in one operation within 2 to 5 seconds between 270 and 320 °C.

18.5 Package related soldering information

Table 41: Suitability of surface mount IC packages for wave and reflow soldering methods

Package ^[1]	Soldering method	
	Wave	Reflow ^[2]
BGA, LBGA, LFBGA, SQFP, TFBGA, VFBGA	not suitable	suitable
DHVQFN, HBCC, HBGA, HLQFP, HSQFP, HSOP, HTQFP, HTSSOP, HVQFN, HVSON, SMS	not suitable ^[3]	suitable
PLCC ^[4] , SO, SOJ	suitable	suitable
LQFP, QFP, TQFP	not recommended ^{[4][5]}	suitable
SSOP, TSSOP, VSO, VSSOP	not recommended ^[6]	suitable

- [1] For more detailed information on the BGA packages refer to the *(LF)BGA Application Note* (AN01026); order a copy from your Philips Semiconductors sales office.
- [2] All surface mount (SMD) packages are moisture sensitive. Depending upon the moisture content, the maximum temperature (with respect to time) and body size of the package, there is a risk that internal or external package cracks may occur due to vaporization of the moisture in them (the so called popcorn effect). For details, refer to the Drypack information in the *Data Handbook IC26; Integrated Circuit Packages; Section: Packing Methods*.
- [3] These packages are not suitable for wave soldering. On versions with the heatsink on the bottom side, the solder cannot penetrate between the printed-circuit board and the heatsink. On versions with the heatsink on the top side, the solder might be deposited on the heatsink surface.
- [4] If wave soldering is considered, then the package must be placed at a 45° angle to the solder wave direction. The package footprint must incorporate solder thieves downstream and at the side corners.
- [5] Wave soldering is suitable for LQFP, QFP and TQFP packages with a pitch (e) larger than 0.8 mm; it is definitely not suitable for packages with a pitch (e) equal to or smaller than 0.65 mm.
- [6] Wave soldering is suitable for SSOP and TSSOP packages with a pitch (e) equal to or larger than 0.65 mm; it is definitely not suitable for packages with a pitch (e) equal to or smaller than 0.5 mm.

19. Revision history

Table 42: Revision history

Rev	Date	CPCN	Description
02	20030226	-	Product data (9397 750 10925) Modifications: <ul style="list-style-type: none">• The value of the capacitor to pin Adcrefl in Figure 44 is changed from 10 nF to 100 nF• The system clock definitions are added in Section 7.5.1• The audio clock definitions are added in Section 7.5.2• A remark is added at the end of Section 8.2.• A note is added to Table 11.
01	20021014	-	Product data (9397 750 10341)

20. Data sheet status

Level	Data sheet status ^[1]	Product status ^{[2][3]}	Definition
I	Objective data	Development	This data sheet contains data from the objective specification for product development. Philips Semiconductors reserves the right to change the specification in any manner without notice.
II	Preliminary data	Qualification	This data sheet contains data from the preliminary specification. Supplementary data will be published at a later date. Philips Semiconductors reserves the right to change the specification without notice, in order to improve the design and supply the best possible product.
III	Product data	Production	This data sheet contains data from the product specification. Philips Semiconductors reserves the right to make changes at any time in order to improve the design, manufacturing and supply. Relevant changes will be communicated via a Customer Product/Process Change Notification (CPCN).

[1] Please consult the most recently issued data sheet before initiating or completing a design.

[2] The product status of the device(s) described in this data sheet may have changed since this data sheet was published. The latest information is available on the Internet at URL <http://www.semiconductors.philips.com>.

[3] For data sheets describing multiple type numbers, the highest-level product status determines the data sheet status.

21. Definitions

Short-form specification — The data in a short-form specification is extracted from a full data sheet with the same type number and title. For detailed information see the relevant data sheet or data handbook.

Limiting values definition — Limiting values given are in accordance with the Absolute Maximum Rating System (IEC 60134). Stress above one or more of the limiting values may cause permanent damage to the device. These are stress ratings only and operation of the device at these or at any other conditions above those given in the Characteristics sections of the specification is not implied. Exposure to limiting values for extended periods may affect device reliability.

Application information — Applications that are described herein for any of these products are for illustrative purposes only. Philips Semiconductors make no representation or warranty that such applications will be suitable for the specified use without further testing or modification.

22. Disclaimers

Life support — These products are not designed for use in life support appliances, devices, or systems where malfunction of these products can reasonably be expected to result in personal injury. Philips Semiconductors

customers using or selling these products for use in such applications do so at their own risk and agree to fully indemnify Philips Semiconductors for any damages resulting from such application.

Right to make changes — Philips Semiconductors reserves the right to make changes in the products - including circuits, standard cells, and/or software - described or contained herein in order to improve design and/or performance. When the product is in full production (status 'Production'), relevant changes will be communicated via a Customer Product/Process Change Notification (CPCN). Philips Semiconductors assumes no responsibility or liability for the use of any of these products, conveys no licence or title under any patent, copyright, or mask work right to these products, and makes no representations or warranties that these products are free from patent, copyright, or mask work right infringement, unless otherwise specified.

23. Trademarks

Dolby — Available only to licensees of Dolby Laboratories Licensing Corporation, San Francisco, CA94111, USA, from whom licensing and application information must be obtained. Dolby is a registered trade-mark of Dolby Laboratories Licensing Corporation.

Contact information

For additional information, please visit <http://www.semiconductors.philips.com>.

For sales office addresses, send e-mail to: sales.addresses@www.semiconductors.philips.com.

Fax: +31 40 27 24825

Contents

1	General description	1	12.1	Writing	54
1.1	Hardware	2	12.2	Reading	55
1.2	Software	2	12.3	Interface connection	56
2	Features	3	13	Power supply connections	57
2.1	Components	3	14	Software API	58
2.2	HW interfaces	3	14.1	API provided by SA-MP	58
2.3	SW interfaces	3	14.2	API required by SA-MP	59
2.4	System	4	15	Limiting values	60
2.5	System configuration	4	16	Characteristics	60
2.6	SACD playback	4	17	Package outline	61
2.7	Audio postprocessing	4	18	Soldering	62
2.8	SACD data and text	5	18.1	Introduction to soldering surface mount packages	62
2.9	General	5	18.2	Reflow soldering	62
3	Applications	5	18.3	Wave soldering	62
4	Ordering information	6	18.4	Manual soldering	63
5	Block diagram	6	18.5	Package related soldering information	63
6	Pinning information	7	19	Revision history	64
6.1	Pinning	7	20	Data sheet status	65
6.2	Pin description	8	21	Definitions	65
7	Interfaces	11	22	Disclaimers	65
7.1	Host interface	11	23	Trademarks	65
7.2	Front-end interface	11			
7.3	Audio interface	12			
7.4	SDRAM interface	12			
7.5	Clock and reset input	12			
7.6	Test inputs	13			
8	Host interface	14			
8.1	General description	14			
8.2	SAD16_01/02 mode	15			
8.3	SAD16_03 mode	19			
8.4	MAD16_01 mode	25			
8.5	MAD16_02 mode	30			
8.6	SAD08 mode	33			
8.7	Interrupt	37			
9	Front-end interface	37			
9.1	I ² S-bus interface	38			
9.2	UDE data interface	40			
9.3	FEC interface	43			
10	HF input	44			
10.1	General	44			
10.2	HF input specification	45			
10.3	HF-input application diagram	46			
11	Audio interfaces	46			
11.1	Audio input interface	46			
11.2	Audio output interface	47			
11.3	Audio output application diagrams	51			
12	SDRAM interface	54			

