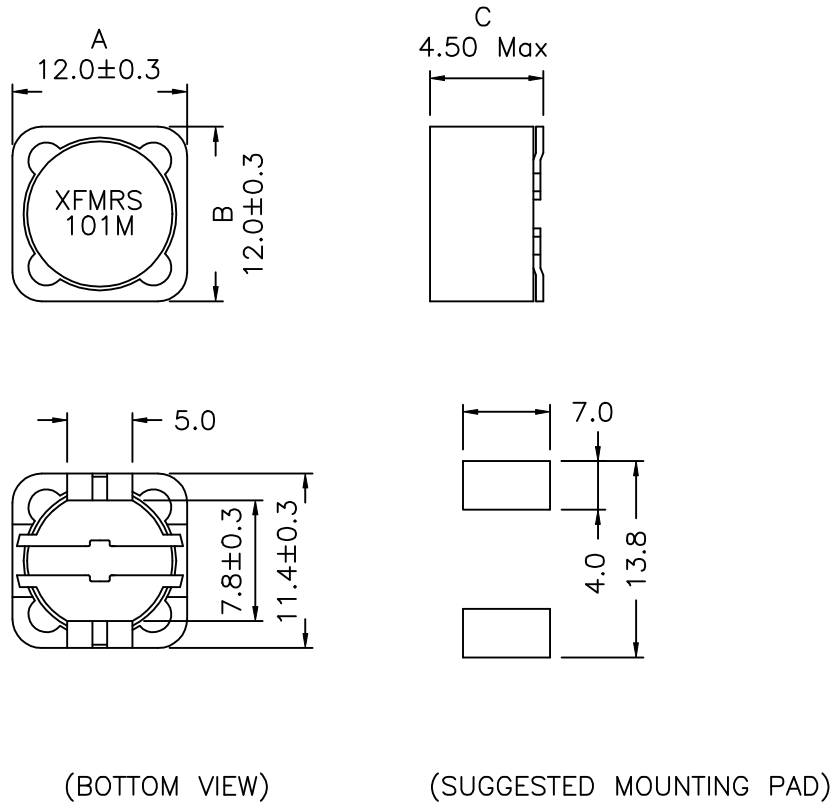
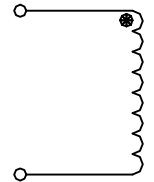


1. Mechanical Dimensions:



2. Schematic:



3. Electrical Specifications:@25°C

INDUCTANCE: 100.0uH ±20% @100KHz 0.1V

DC RESISTANCE: 0.308 Ohms Max

CURRENT: 1.2 ADC Max

Notes:

1. Solderability: Leads shall meet MIL-STD-202, Method 208D for solderability.
2. Flammability: UL94V-0
3. ASTM oxygen index: > 28%
4. Insulation System: Class F 155°C. UL file E151556
5. Operating Temperature Range: All listed parameters are to be within tolerance from -40°C to +85°C
6. Storage Temperature Range: -55°C to +125°C
7. Aqueous wash compatible

DOC REV A/2

| | | | |
|------------------------|---------------------------------------|----------------------|-----------|
| XFMRs Inc. | Title: XFTPRH1204 SERIES INDUCTORS | | |
| | UNLESS OTHERWISE SPECIFIED | P/N: XFTPRH1204-101M | REV. A |
| TOLERANCES: TYPICAL | DWN. | 廖玉坤 | Apr-10-03 |
| Dimensions in MM | CHK. | 李清儿 | Apr-10-03 |
| SHEET 1 OF 1 | APP. | BW | Apr-10-03 |