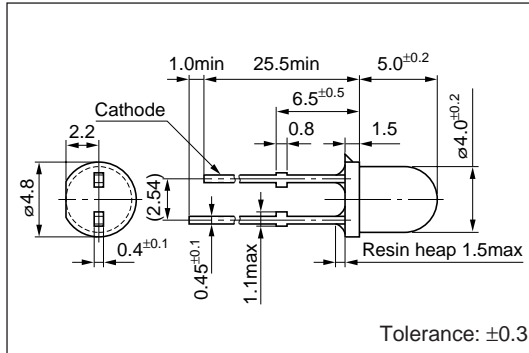


4 ϕ Round Standard LED

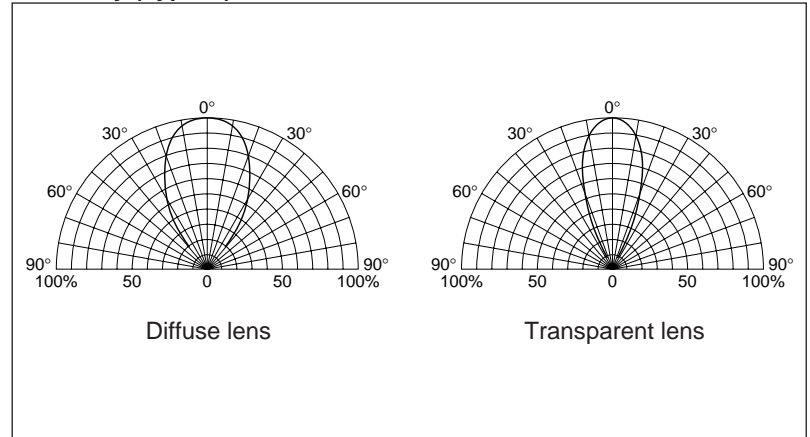
SEL4010 Series

External Dimensions

(Unit: mm)



Directivity (Typical)



Absolute maximum ratings (Ta=25°C)

Symbol	Unit	Rating	Condition
I_F	mA	30	
ΔI_F	mA/°C	-0.45	Above 25°C
I_{FP}	mA	100	f=1kHz, tw \leq 100 μ s
V_R	V	3	
Top	°C	-30 to +85	
Tstg	°C	-30 to +100	

Electrical Optical characteristics (Ta=25°C)

Emitting color	Part Number	Lens color	Forward voltage		Reverse current		Intensity		Peak wavelength		Spectrum half width		Chip material	
			V_F		I_R	Condition	I_V	Condition	λ_P	Condition	$\Delta\lambda$	Condition		
			typ	max										I_F
Deep red	SEL4110S	Transparent red	2.0	2.5	10	50	3	2.4	5	700	10	100	10	GaP
	SEL4110R	Diffused red						1.7						
Red	SEL4210S	Transparent red	1.9	2.5	10	50	3	30	20	630	10	35	10	GaAsP
	SEL4210R	Diffused red						17						
Amber	SEL4810A	Transparent orange	1.9	2.5	10	50	3	20	10	610	10	35	10	GaAsP
	SEL4810D	Diffused orange						15						
Orange	SEL4910A	Transparent orange	1.9	2.5	10	50	3	26	10	587	10	33	10	GaAsP
	SEL4910D	Diffused orange						16						
Yellow	SEL4710K	Transparent yellow	2.0	2.5	10	50	3	36	10	570	10	30	10	GaP
	SEL4710Y	Diffused yellow						14	10					
Green	SEL4410E	Transparent green	2.0	2.5	10	50	3	87	20	560	10	20	10	GaP
	SEL4410G	Diffused green						34	20					
Pure green	SEL4510C	Clear	2.0	2.5	10	50	3	45	20	555	10	20	10	