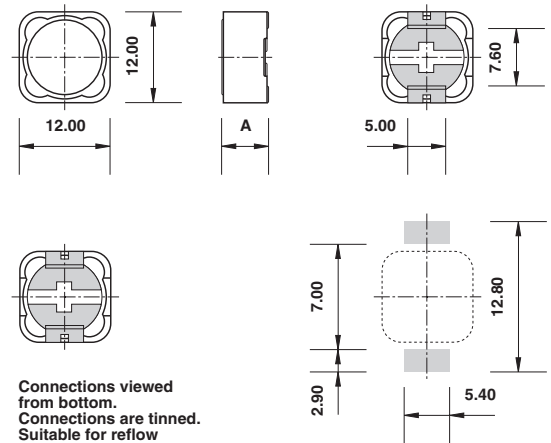


## Type SMTDRRI (1.2 ~ 1000) $\mu$ H

- # High power
- # High saturation
- # Shielded
- # 24mm tape and reel
- # Reflow or wave soldering
- # Portable communication equipment
- # d.c. ~ d.c. converters

### Dimensions(mm)



Suggested land pattern

### Electrical specification

<b>Case sizes</b>	shielded: DRRI-124 DRRI-125, DRRI-127
<b>Inductance range</b>	(1.2 ~ 1000) $\mu$ H
<b>Current rating</b>	Based on self heating temperature rise by +20°C max.
<b>Operating temperature</b>	(-30 ~ 80)°C
<b>Terminal strength</b>	2kg, 10 secs. max.
<b>Test equipment</b>	inductance: HP4285A at 7.96KHz LCR meter at 1kHz d.c. resistance: milli ohm meter self resonant frequency: H9461 srf meter

### Case height(mm)

	<b>A</b>
<b>SMTDRRI-124</b>	4.5 max
<b>SMTDRRI-125</b>	6.0 max
<b>SMTDRRI-127</b>	8.0 max

### Ordering information

**TFC PART NUMBER .... SMT DRRI-124 560 M**

'SMT' .... type: SMT = shielded surface mount power inductor

'DRRI-124' .... core size: DRRI-124 = height 4.5mm

'560' .... inductance value code: 560 = 56 $\mu$ H, inductance range (1.2 ~ 1000) $\mu$ H

'K' .... tolerance: J = 5%, K = 10%, M = 20%

Core size	Inductance range
DRRI-124	(4.7 ~ 330) $\mu$ H
DRRI-125	(1.3 ~ 1000) $\mu$ H
DRRI-127	(1.2 ~ 47) $\mu$ H

## Type SMTDRRI-124

<b>PART NUMBER</b>	<b>Inductance (<math>\mu</math>H)</b>	<b>Test frequency (kHz)</b>	<b>d.c. resistance (<math>\Omega</math>) max.</b>	<b>rated d.c. current (A)</b>
<i>SMTDRRI - 124 - 3R9M</i>	3.9	100	0.015	6.5
<i>SMTDRRI - 124 - 4R7M</i>	4.7	100	0.018	5.7
<i>SMTDRRI - 124 - 6R8M</i>	6.8	100	0.023	4.9
<i>SMTDRRI - 124 - 100M</i>	10	100	0.028	4.5
<i>SMTDRRI - 124 - 120M</i>	12	100	0.038	4.0
<i>SMTDRRI - 124 - 150M</i>	15	100	0.050	3.2
<i>SMTDRRI - 124 - 180M</i>	18	100	0.057	3.1
<i>SMTDRRI - 124 - 220M</i>	22	100	0.066	2.9
<i>SMTDRRI - 124 - 270M</i>	27	100	0.080	2.8
<i>SMTDRRI - 124 - 330M</i>	33	100	0.097	2.7
<i>SMTDRRI - 124 - 390M</i>	39	100	0.132	2.1
<i>SMTDRRI - 124 - 470M</i>	47	100	0.150	1.9
<i>SMTDRRI - 124 - 560M</i>	56	100	0.190	1.8
<i>SMTDRRI - 124 - 680M</i>	68	100	0.220	1.5
<i>SMTDRRI - 124 - 820M</i>	82	100	0.260	1.3
<i>SMTDRRI - 124 - 101M</i>	100	100	0.308	1.2
<i>SMTDRRI - 124 - 121M</i>	120	100	0.380	1.1
<i>SMTDRRI - 124 - 151M</i>	150	100	0.530	0.95
<i>SMTDRRI - 124 - 181M</i>	180	100	0.620	0.85
<i>SMTDRRI - 124 - 221M</i>	220	100	0.700	0.8
<i>SMTDRRI - 124 - 271M</i>	270	100	0.876	0.6
<i>SMTDRRI - 124 - 331M</i>	330	100	0.990	0.5

## Type SMTDRRI-125

<b>PART NUMBER</b>	<b>Inductance (<math>\mu</math>H)</b>	<b>Test frequency (kHz)</b>	<b>d.c. resistance (<math>\Omega</math>) max.</b>	<b>rated d.c. current (A)</b>
SMTDRRI - 125 - 1R3N	1.3	7.96MHz	0.012	8.0
SMTDRRI - 125 - 2R1N	2.1	7.96MHz	0.014	7.0
SMTDRRI - 125 - 3R1N	3.1	7.96MHz	0.017	6.0
SMTDRRI - 125 - 4R4N	4.4	7.96MHz	0.020	5.0
SMTDRRI - 125 - 5R8N	5.8	7.96MHz	0.021	4.40
SMTDRRI - 125 - 7R5N	7.5	7.96MHz	0.024	4.20
SMTDRRI - 125 - 100M	10	1	0.025	4.00
SMTDRRI - 125 - 120M	12	1	0.027	3.50
SMTDRRI - 125 - 150M	15	1	0.030	3.30
SMTDRRI - 125 - 180M	18	1	0.034	3.00
SMTDRRI - 125 - 220M	22	1	0.036	2.80
SMTDRRI - 125 - 270M	27	1	0.051	2.30
SMTDRRI - 125 - 330M	33	1	0.057	2.10
SMTDRRI - 125 - 390M	39	1	0.068	2.00
SMTDRRI - 125 - 470M	47	1	0.075	1.80
SMTDRRI - 125 - 560M	56	1	0.110	1.70
SMTDRRI - 125 - 680M	68	1	0.120	1.50
SMTDRRI - 125 - 820M	82	1	0.140	1.40
SMTDRRI - 125 - 101M	100	1	0.160	1.30
SMTDRRI - 125 - 121M	120	1	0.170	1.10
SMTDRRI - 125 - 151M	150	1	0.230	1.00
SMTDRRI - 125 - 181M	180	1	0.290	0.90
SMTDRRI - 125 - 221M	220	1	0.400	0.80
SMTDRRI - 125 - 271M	270	1	0.460	0.75
SMTDRRI - 125 - 331M	330	1	0.510	0.68
SMTDRRI - 125 - 391M	390	1	0.690	0.65
SMTDRRI - 125 - 471M	470	1	0.770	0.58
SMTDRRI - 125 - 561M	560	1	0.860	0.54
SMTDRRI - 125 - 681M	680	1	1.200	0.48
SMTDRRI - 125 - 821M	820	1	1.340	0.43
SMTDRRI - 125 - 102M	1000	1	1.530	0.40

## Type SMTDRRI-127

<b>PART NUMBER</b>	<b>Inductance (<math>\mu</math>H)</b>	<b>Test frequency (kHz)</b>	<b>d.c. resistance (<math>\Omega</math>) max.</b>	<b>rated d.c. current (A)</b>
<b>SMTDRRI - 127 - 1R2N</b>	1.2	100	7.0	9.80
<b>SMTDRRI - 127 - 2R4N</b>	2.4	100	11.5	8.00
<b>SMTDRRI - 127 - 3R5N</b>	3.5	100	13.5	7.50
<b>SMTDRRI - 127 - 4R7N</b>	4.7	100	15.8	6.80
<b>SMTDRRI - 127 - 6R1N</b>	6.1	100	17.6	6.60
<b>SMTDRRI - 127 - 7R6N</b>	7.6	100	20.0	5.90
<b>SMTDRRI - 127 - 100M</b>	10	1	21.6	5.40
<b>SMTDRRI - 127 - 120M</b>	12	1	24.3	4.90
<b>SMTDRRI - 127 - 150M</b>	15	1	27.0	4.50
<b>SMTDRRI - 127 - 180M</b>	18	1	39.2	3.90
<b>SMTDRRI - 127 - 220M</b>	22	1	43.2	3.60
<b>SMTDRRI - 127 - 270M</b>	27	1	45.9	3.40
<b>SMTDRRI - 127 - 330M</b>	33	1	64.8	3.00
<b>SMTDRRI - 127 - 390M</b>	39	1	72.9	2.75
<b>SMTDRRI - 127 - 470M</b>	47	1	100.0	2.50