

# STK4100MK2 Series

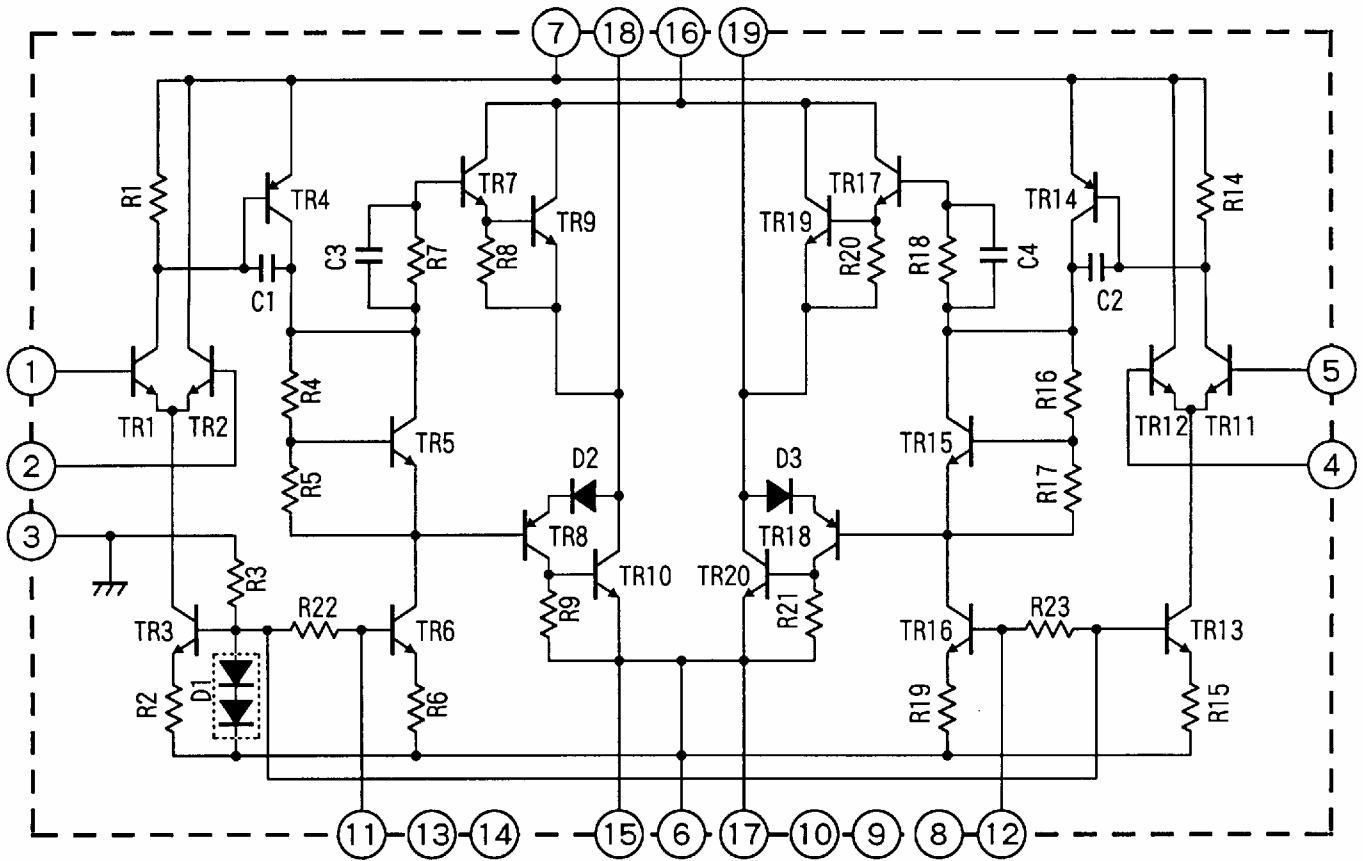
★2ch./1package, ± Power Supply  
 ★6W/ch. ~ 100W/ch.  
 ★THD = 0.4%

| Model       | Maximum Ratings<br>最大定格 | Recommended<br>Operating Conditions<br>推奨動作条件 |        | Operating Characteristics<br>(Recommend Operating Conditions<br>at Test Circuit)<br>動作特性 (Test Circuitにて<br>推奨動作条件による) |                                      |                                    |                                      |
|-------------|-------------------------|---|--------|--|--------------------------------------|------------------------------------|--------------------------------------|
|             | Vcc max<br>[V]          | Vcc<br>[V]                                    |        | Po max 1<br>RL=8Ω<br>f=20~<br>20kHz<br>[W]   | THD<br>(V <sub>G</sub> =40dB)<br>[%] | Po max 2<br>RL=4Ω<br>f=1kHz<br>[W] | THD<br>(V <sub>G</sub> =40dB)<br>[%] |
|             |                         | RL=8Ω   | RL=4Ω  |  |                                      |                                    |                                      |
| STK4100MK2  | ± 20.5                  | ± 13.5  | ± 12.0 | 6 + 6  | 0.4                                  | 6 + 6                              | 1.0                                  |
| STK4110MK2  | ± 26.0                  | ± 17.0  | ± 14.0 | 10 + 10  | 0.4                                  | 10 + 10                            | 1.0                                  |
| STK4120MK2  | ± 30.5                  | ± 21.0  | ± 17.0 | 15 + 15  | 0.4                                  | 15 + 15                            | 1.0                                  |
| *STK4130MK2 | ± 34.5                  | ± 23.0  | ± 20.0 | 20 + 20  | 0.4                                  | 20 + 20                            | 1.0                                  |
| *STK4140MK2 | ± 40.0                  | ± 27.0  | ± 22.0 | 25 + 25  | 0.4                                  | 25 + 25                            | 1.0                                  |
| *STK4150MK2 | ± 42.0                  | ± 28.0  | ± 25.0 | 30 + 30  | 0.4                                  | 35 + 35                            | 1.0                                  |
| *STK4160MK2 | ± 45.0                  | ± 30.5  | ± 26.5 | 35 + 35  | 0.4                                  | 40 + 40                            | 1.0                                  |
| STK4170MK2  | ± 48.0                  | ± 32.0  | ± 28.0 | 40 + 40  | 0.4                                  | 45 + 45                            | 1.0                                  |
| STK4180MK2  | ± 50.0                  | ± 33.5  | ± 30.0 | 45 + 45  | 0.4                                  | 50 + 50                            | 1.0                                  |
| STK4190MK2  | ± 52.5                  | ± 35.0  | ± 32.0 | 50 + 50  | 0.4                                  | 55 + 55                            | 1.0                                  |
| STK4200MK2  | ± 55.0                  | ± 38.0  | -      | 60 + 60  | 0.4                                  | -                                  | -                                    |
| STK4210MK2  | ± 60.0                  | ± 42.0  | -      | 70 + 70  | 0.4                                  | -                                  | -                                    |
| STK4220MK2  | ± 65.0                  | ± 45.0  | -      | 80 + 80  | 0.4                                  | -                                  | -                                    |
| STK4230MK2  | ± 75.0                  | ± 51.0  | -      | 100 + 100  | 0.4                                  | -                                  | -                                    |

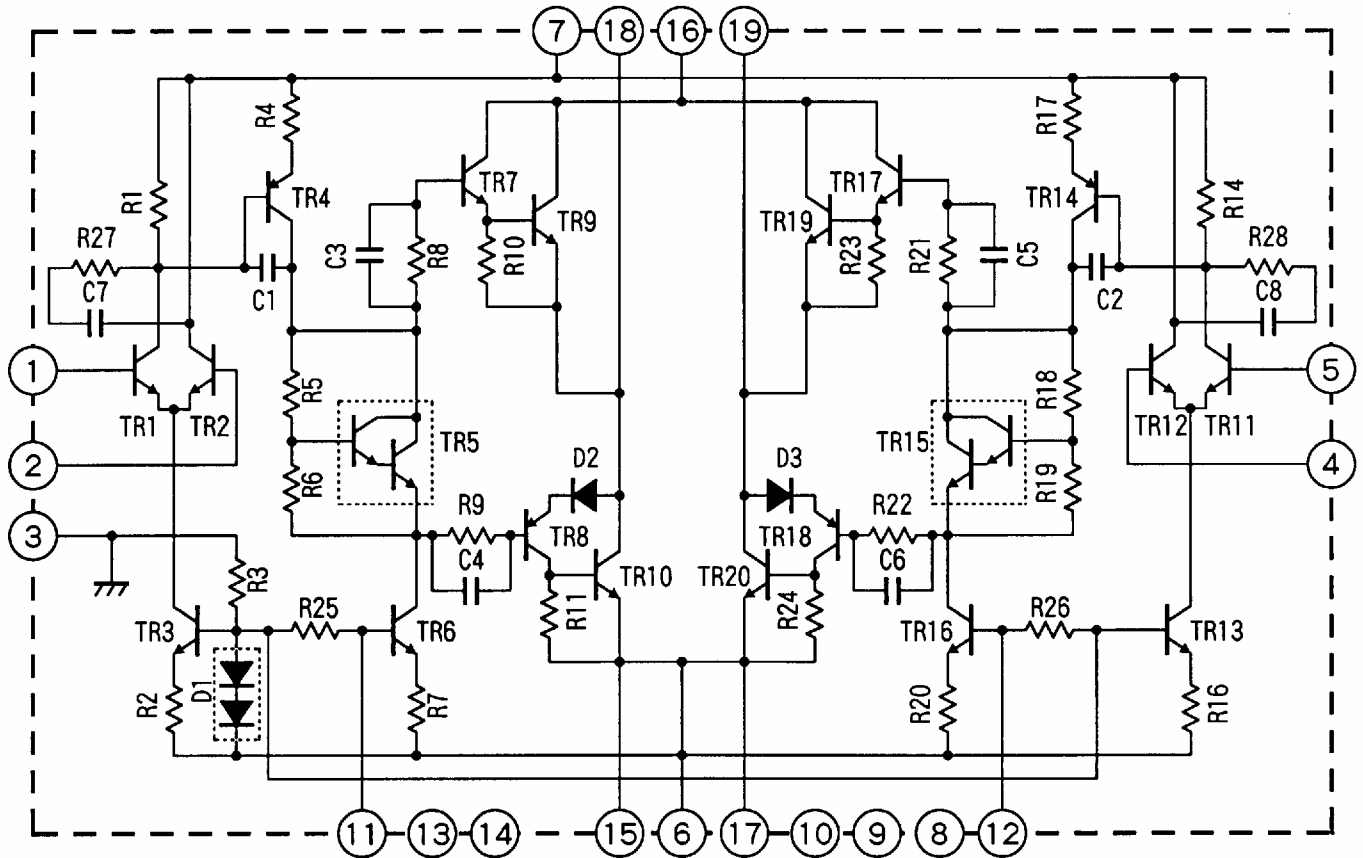
\* Under mass production

■ Equivalent Circuit

① STK4100MK2 ~ STK4190MK2

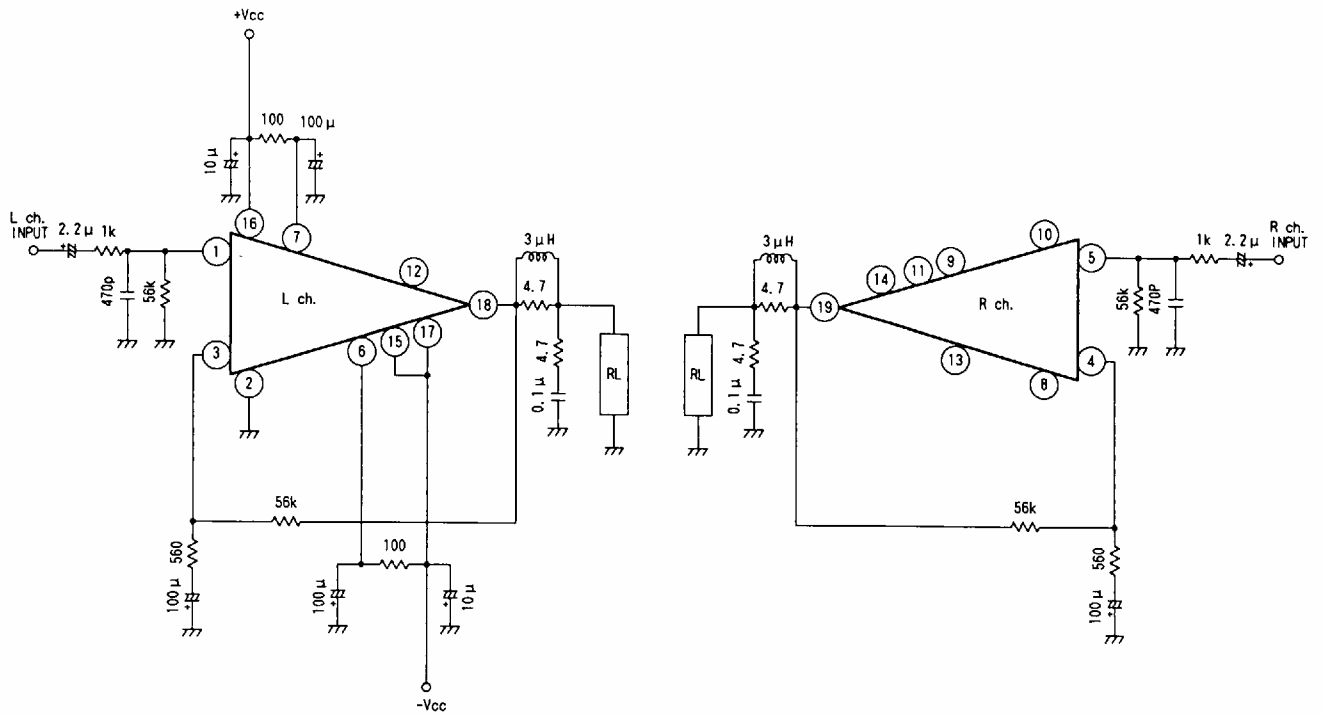


② STK4200MK2 ~ STK4230MK2

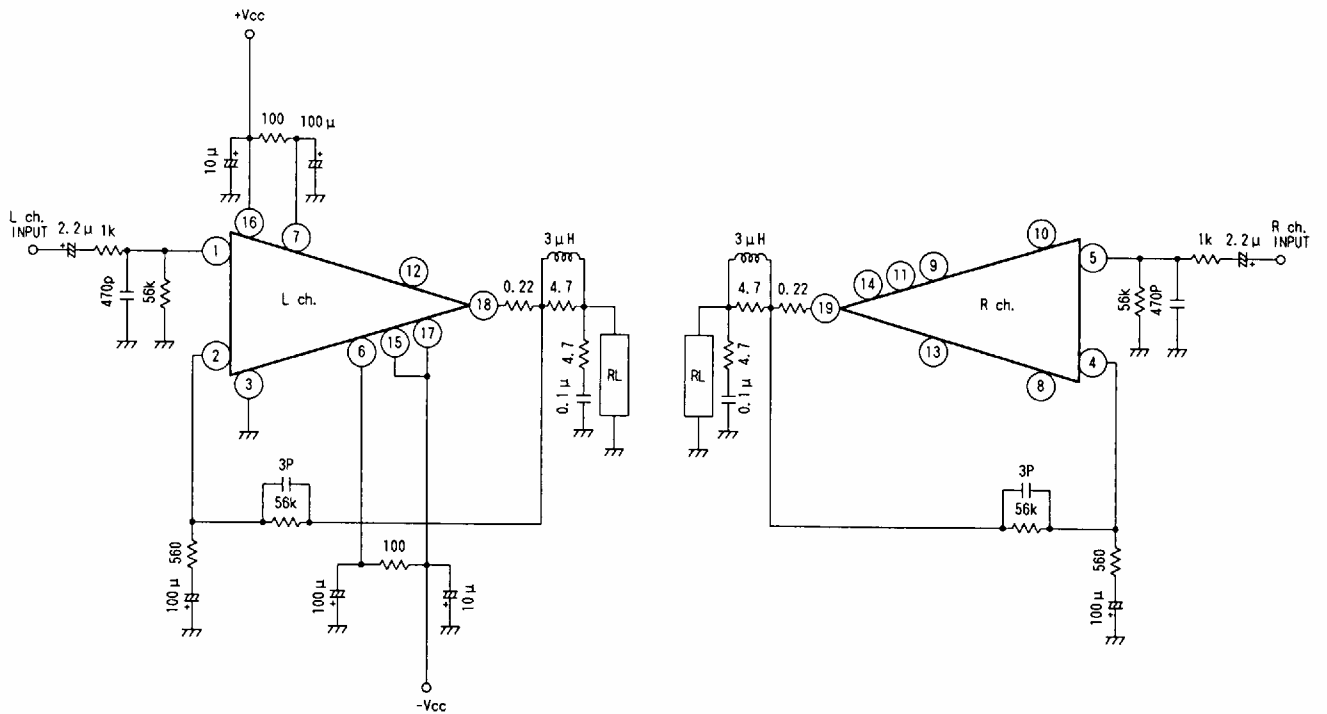


■ Test Circuit

④ STK4100MK2 ~ STK4190MK2

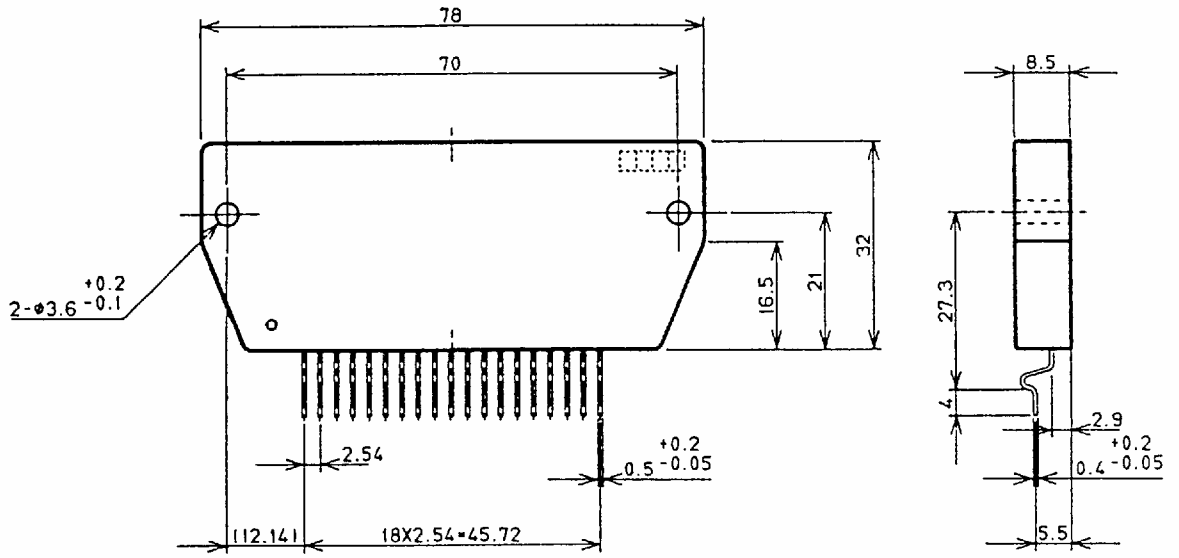


⑤ STK4200MK2 ~ STK4230MK2



■ Case Outline

④ STK4100MK2 ~ STK4190MK2



⑤ STK4200MK2 ~ STK4230MK2

